



Chipsmall Limited consists of a professional team with an average of over 10 year of expertise in the distribution of electronic components. Based in Hongkong, we have already established firm and mutual-benefit business relationships with customers from,Europe,America and south Asia,supplying obsolete and hard-to-find components to meet their specific needs.

With the principle of “Quality Parts,Customers Priority,Honest Operation,and Considerate Service”,our business mainly focus on the distribution of electronic components. Line cards we deal with include Microchip,ALPS,ROHM,Xilinx,Pulse,ON,Everlight and Freescale. Main products comprise IC,Modules,Potentiometer,IC Socket,Relay,Connector.Our parts cover such applications as commercial,industrial, and automotives areas.

We are looking forward to setting up business relationship with you and hope to provide you with the best service and solution. Let us make a better world for our industry!



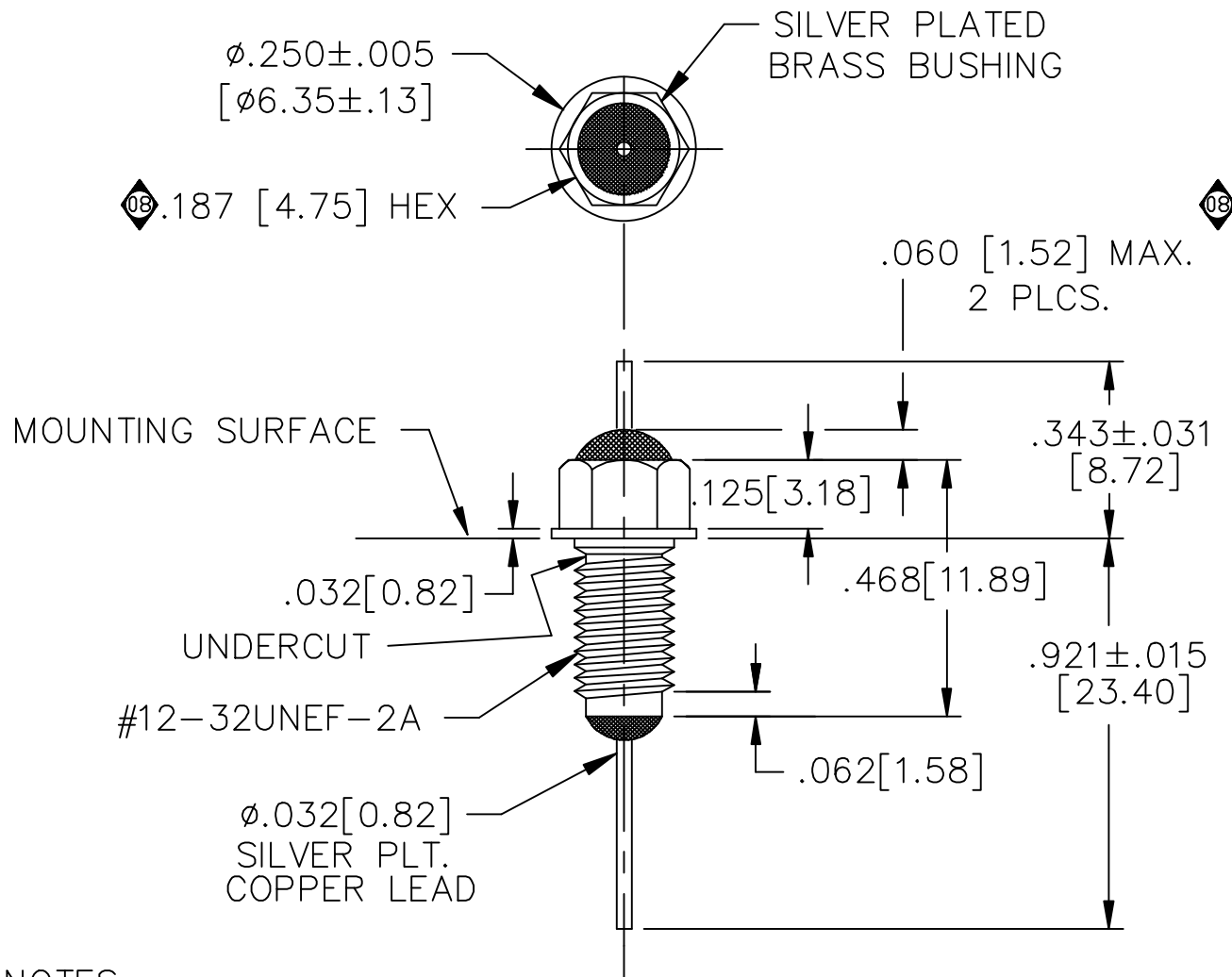
## Contact us

Tel: +86-755-8981 8866 Fax: +86-755-8427 6832

Email & Skype: info@chipsmall.com Web: www.chipsmall.com

Address: A1208, Overseas Decoration Building, #122 Zhenhua RD., Futian, Shenzhen, China



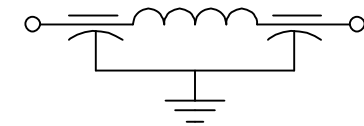


CAPACITANCE	5000 pF GMV
TEMP. RANGE	-55°C TO +125°C
CURRENT	10 AMPS
WORKING VOLTAGE	85°C 200 VDC 125°C 100 VDC
DC RESISTANCE	.01 OHMS MAX.

IL=PER MIL-STD-220, NO LOAD

FREQ. MHz	I.L. (db)
10	20
50	--
100	65
1 GHz	70
10 GHz	70

SCHEMATIC

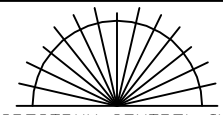


MARKING

PART: 1270025  
 BAG: SCI  
 1270-025  
 DATE CODE  
 LOT NO.  
 QTY./BAG (200 MAX.)

NOTES:

1. SUGGESTED MOUNTING HOLE:  $\phi.221$
2. HARDWARE IS INCLUDED

REV. NO.	8	7	6	5	REV. NO.	TOLERANCES UNLESS OTHERWISE SPECIFIED	 SPECTRUM CONTROL INC. ERIE, FAIRVIEW PENNSYLVANIA	
CHANGE NOTICE	CN 210694	CN 209176	CN 200615	CN 184990 REDRAWN	Fractions $\pm 1/64$	Dwn. KAUFFMAN		Description
					Dec. $.xx \pm$	Ckd. 10/21/02		FILTER SING, PI, BSHG.
					Dec. $.xxx \pm .010$			
					Angles $\pm 0^\circ 30'$			
					CODE IDENT. NO. DLSP2	Scale NONE	1270-025	