



Chipsmall Limited consists of a professional team with an average of over 10 year of expertise in the distribution of electronic components. Based in Hongkong, we have already established firm and mutual-benefit business relationships with customers from,Europe,America and south Asia,supplying obsolete and hard-to-find components to meet their specific needs.

With the principle of “Quality Parts,Customers Priority,Honest Operation,and Considerate Service”,our business mainly focus on the distribution of electronic components. Line cards we deal with include Microchip,ALPS,ROHM,Xilinx,Pulse,ON,Everlight and Freescale. Main products comprise IC,Modules,Potentiometer,IC Socket,Relay,Connector.Our parts cover such applications as commercial,industrial, and automotives areas.

We are looking forward to setting up business relationship with you and hope to provide you with the best service and solution. Let us make a better world for our industry!



Contact us

Tel: +86-755-8981 8866 Fax: +86-755-8427 6832

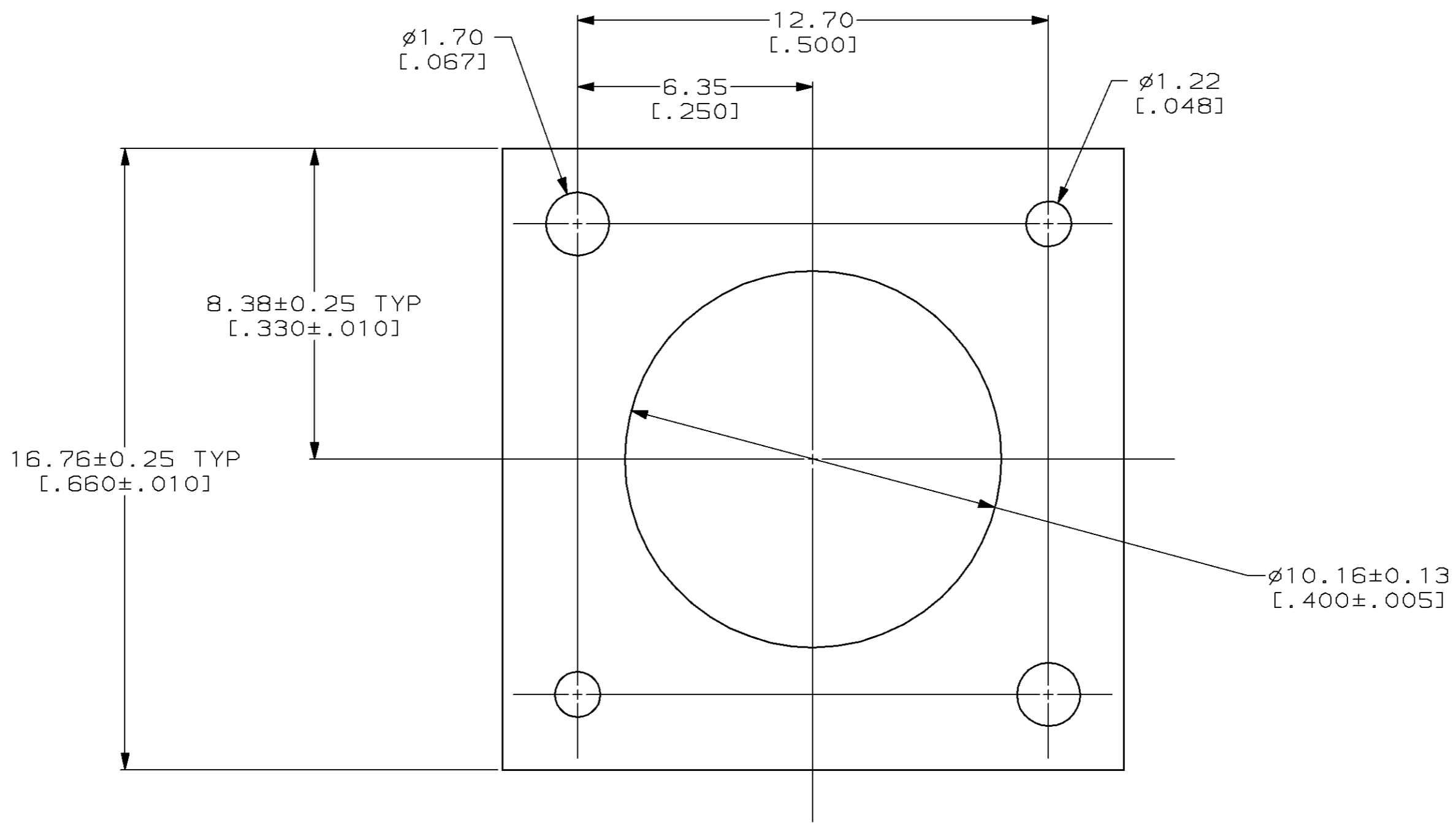
Email & Skype: info@chipsmall.com Web: www.chipsmall.com

Address: A1208, Overseas Decoration Building, #122 Zhenhua RD., Futian, Shenzhen, China



THIS DRAWING IS UNPUBLISHED. RELEASED FOR PUBLICATION, 19 .
 © COPYRIGHT 19 BY AMP INCORPORATED. ALL RIGHTS RESERVED.

LOC	DIST	REVISIONS			
P	LTR	DESCRIPTION	DATE	DWN	APVD
AJ	16				
	A	REV PER 0630-0538-98	22DEC98	MO	JL



1274213-1
 PART NUMBER

1. FOR USE WITH 414493-1 AND 414553-1.

THIS DRAWING IS A CONTROLLED DOCUMENT.		DWN J. LIPPERT 12-11-98	 AMP Incorporated Harrisburg, PA 17105-3608
DIMENSIONS: mm [IN]		CHK J. LIPPERT 12-11-98	
TOLERANCES UNLESS OTHERWISE SPECIFIED:		APVD J. LIPPERT 12-11-98	
0 PLC ±- 1 PLC ±- 2 PLC ±0.08 [.003] 3 PLC ±- 4 PLC ±- ANGLES ±-		NAME	
MATERIAL MYLAR, .010 THICK		FINISH -	PRODUCT SPEC - APPLICATION SPEC - WEIGHT - CUSTOMER DRAWING
		SIZE A3	CAGE CODE 00779 DRAWING NO C- 1274213 RESTRICTED TO -
		SCALE -	SHEET 1 OF 1 REV A