



Chipsmall Limited consists of a professional team with an average of over 10 year of expertise in the distribution of electronic components. Based in Hongkong, we have already established firm and mutual-benefit business relationships with customers from,Europe,America and south Asia,supplying obsolete and hard-to-find components to meet their specific needs.

With the principle of "Quality Parts,Customers Priority,Honest Operation,and Considerate Service",our business mainly focus on the distribution of electronic components. Line cards we deal with include Microchip,ALPS,ROHM,Xilinx,Pulse,ON,Everlight and Freescale. Main products comprise IC,Modules,Potentiometer,IC Socket,Relay,Connector.Our parts cover such applications as commercial,industrial, and automotives areas.

We are looking forward to setting up business relationship with you and hope to provide you with the best service and solution. Let us make a better world for our industry!



Contact us

Tel: +86-755-8981 8866 Fax: +86-755-8427 6832

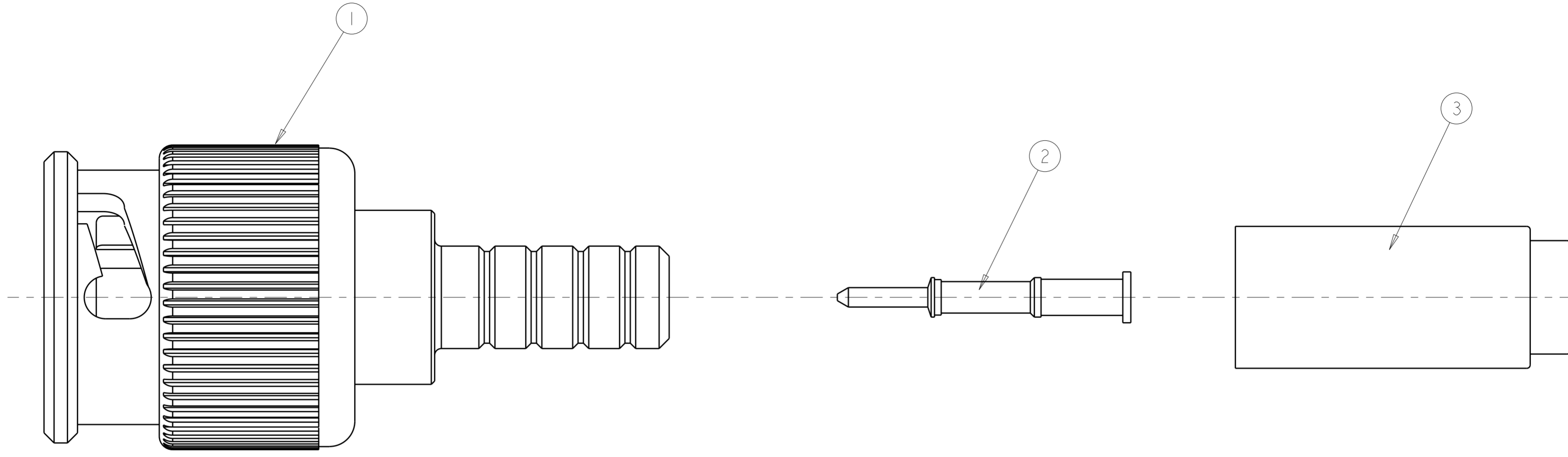
Email & Skype: info@chipsmall.com Web: www.chipsmall.com

Address: A1208, Overseas Decoration Building, #122 Zhenhua RD., Futian, Shenzhen, China



THIS DRAWING IS UNPUBLISHED. RELEASED FOR PUBLICATION 20
 © COPYRIGHT 20 BY - ALL RIGHTS RESERVED.

LOC	DIST	REVISIONS			
P	LTR	DESCRIPTION	DATE	DWN	APVD
	D2	REVISED PER ECO-16-004923	30MAR2016	BW	RS



- 1. ITEMS PACKAGED UNASSEMBLED
- 2. SEE SEPARATE CUSTOMER DRAWINGS FOR ITEM DETAILS
- 3. SEE INSTRUCTION SHEET 408-8871 FOR CABLE TERMINATION DETAILS

OBSOLETE	RG179	.042 [1.07]	.178 [4.52]	9-413658-0	1274565-6	1274564-3	1274563-3
	734A	.042 [1.07]	.255 [6.48]	9-221132-3	1274565-4	1274564-2	1274563-2
OBSOLETE	735A	.042 [1.07]	.178 [4.52]	9-413658-2	1274565-2	1274564-1	1274563-1
	CABLE	CONTACT CRIMP (SQUARE)	FERRULE CRIMP (HEX)	③ FERRULE QTY = 1	② CONTACT QTY = 1	① PLUG ASSY QTY = 1	PART NUMBER

THIS DRAWING IS A CONTROLLED DOCUMENT.

DIMENSIONS: INCHES [mm]	TOLERANCES UNLESS OTHERWISE SPECIFIED: 0 PLC ± 1 PLC ± 2 PLC ± 3 PLC ± 4 PLC ± ANGLES ± FINISH	DWN K. WEIDNER 03OCT2003 CHK G. MICHAEL 13FEB2004 APVD K. WEIDNER 13FEB2004	STE TE Connectivity
MATERIAL		PRODUCT SPEC 108-2159 APPLICATION SPEC	NAME STRAIGHT PLUG KIT, MINI BNC
		WEIGHT	SIZE CAGE CODE DRAWING NO RESTRICTED TO A200779 C-1274563
		CUSTOMER DRAWING	SCALE 8:1 SHEET 1 OF 1 REV D2