



Chipsmall Limited consists of a professional team with an average of over 10 year of expertise in the distribution of electronic components. Based in Hongkong, we have already established firm and mutual-benefit business relationships with customers from,Europe,America and south Asia,supplying obsolete and hard-to-find components to meet their specific needs.

With the principle of “Quality Parts,Customers Priority,Honest Operation,and Considerate Service”,our business mainly focus on the distribution of electronic components. Line cards we deal with include Microchip,ALPS,ROHM,Xilinx,Pulse,ON,Everlight and Freescale. Main products comprise IC,Modules,Potentiometer,IC Socket,Relay,Connector.Our parts cover such applications as commercial,industrial, and automotives areas.

We are looking forward to setting up business relationship with you and hope to provide you with the best service and solution. Let us make a better world for our industry!



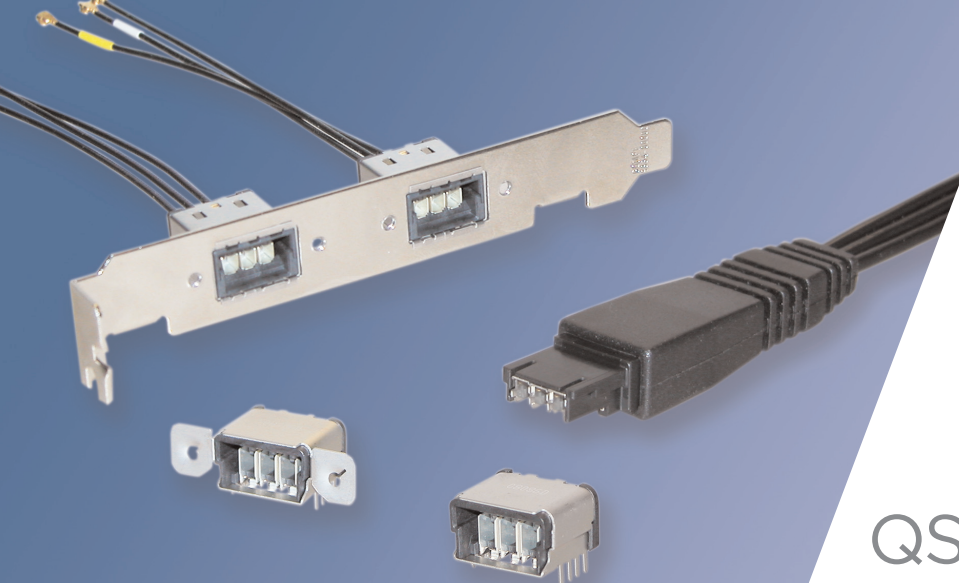
Contact us

Tel: +86-755-8981 8866 Fax: +86-755-8427 6832

Email & Skype: info@chipsmall.com Web: www.chipsmall.com

Address: A1208, Overseas Decoration Building, #122 Zhenhua RD., Futian, Shenzhen, China





QSL RF Connector System

DESCRIPTION

Coaxial Cable Insulation Displacement Interface

- Low profile
- Highly reliable ruggedized interface
- Surface mount technology
- Excellent price-to-performance ratio

APPLICATIONS

- Replacements for SMA, BNC, and other RF Connectors
- Mobile Antenna / GPS / Radio Systems
- PDA / PCS / Handheld applications
- Wireless Communications systems
- Satellite Communications, Broadcast, Multimedia
- Automotive Telematics
- WiFi, WiMax Antenna Mobility & Communications
- Broadcast / Set Top Box and Integration Media
- PCIe and WNIC Cards

KEY FEATURES

- Surface and Panel Mount Compatible
- RoHS Compliant [Lead-free SMT process (260° C) compatible]
- Designed for RG 174 & RG 316 Cable
- 3 port QSL footprint
12.5 mm D x 17.5 mm W x 10mmH
- 10 mm x 10.6 mm max. footprint (w/o panel extension)
- IP67 compatible designs available upon request
- Platform expandable for multiple ports, configuration, and color options

FOR MORE INFORMATION

Internet

<http://tycoelectronics.com/products/rfcoax>

Technical Support Center

Phone: 1-800-522-6752

E-mail: product.info@amp.com

Product Specification/ Design Objectives:

108-2324 PCB Receptacles

108-2302 Panel Mount Receptacles

108-2307 Antennas

Global Product Manager — Claude de Lorraine

Phone: 717-986-5793

E-mail: cdeorraine@tycoelectronics.com

Europe Product Manager — Patrick Duquerroy

Phone: (49) 61824538

E-mail: pduquerroy@tycoelectronics.com

US Product Manager — Dave Gravina

Phone: 717-329-5657

E-mail: gravinad@tycoelectronics.com

Asia Product Manager — Alex Yeh

Phone: 2-87682788 EXT297

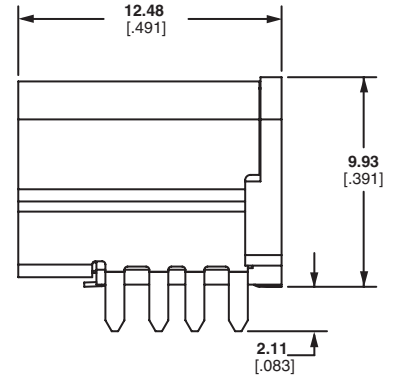
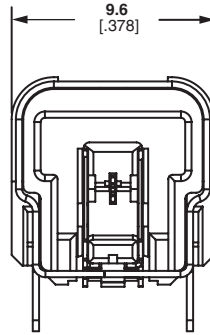
E-mail: alex.yeh@tycoelectronics.com

PCB RECEPTACLES

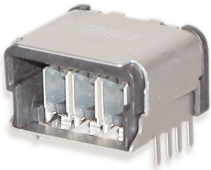
Single Port Receptacle



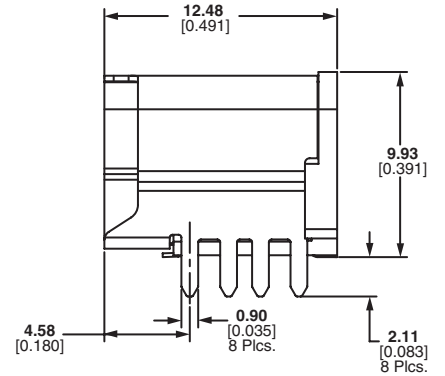
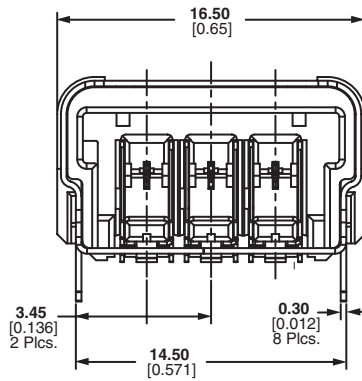
Part Number
1274794-1



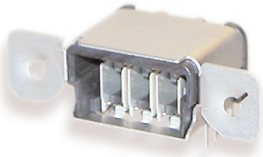
Three Port Receptacle



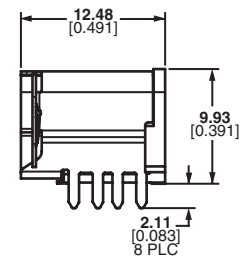
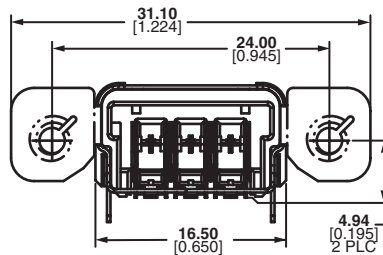
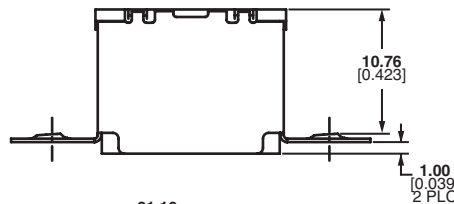
Part Number
2016032-1



Three Port Flange Receptacle



Part Number
1274824-2



Dimensions are millimeters over inches unless otherwise specified.

ELECTRICAL	SINGLE PORT BOARD MOUNT	THREE PORT BOARD MOUNT
Characteristic Impedance:	50 Ohms*	50 Ohms*
Frequency Range:	DC — 6 GHz	DC — 6 GHz
VSWR:**		
DC — 3 GHz	1.3 max	1.3 max
3 — 6 GHz	1.45 max	1.45 max
Insertion Loss:		
DC — 3 GHz	0.30 dB max	0.30 dB max
3 — 6 GHz	0.40 dB max	0.40 dB max
Rated voltage:	60 VAC (rms)	60 VAC (rms)
Rated Current Per Port:	5 A max	5 A max
Diel. Withstanding Voltage:		
(50Hz for 1 min at sea level)	800 VAC	800 VAC
Insulation Resistance:	100 Megohms min	100 Megohms min
Contact Resistance:		
Center:	20 milliohms max	20 milliohms max
Outer:	20 milliohms max	20 milliohms max

*75 Ohm available upon request

** Mated Pair

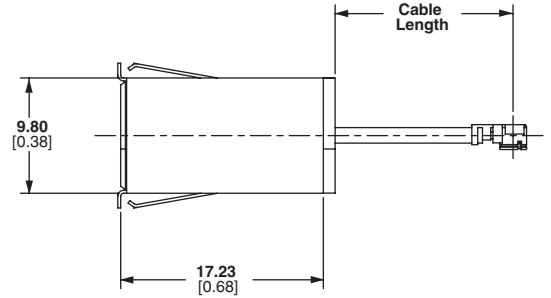
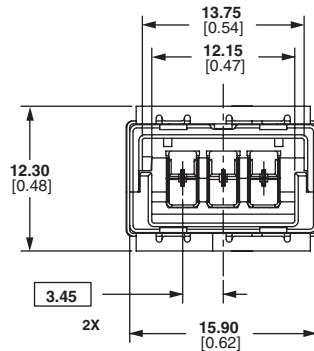
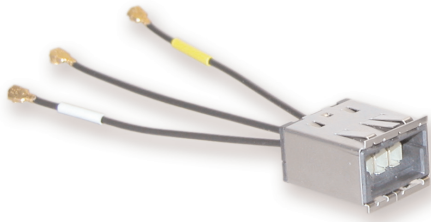
MECHANICAL/ ENVIRONMENTAL	SINGLE PORT	THREE PORT
Engagement Force:	< 30 N	< 40 N
Disengagement Force:	< 20 N	< 30 N
Cable Retention:	> 89 N	> 110 N
Operating Temperature:	- 40 to + 85°C	- 40 to + 85°C
Durability:	500 cycles	500 cycles

MATERIAL AND FINISH

Part Description	Material	Finish
Housing (Cable Plug)	PBT	Black, UL 94V-0
Housing (Receptacle)	LCP	Black, UL 94V-0
Hold Downs / Shell	Copper Alloy	Sn over Ni
Shield & Strain Relief (Cable Plug)	Copper Alloy	*
Shield (Recpt)	Copper Alloy	*
Center Contact (Cable and recpt)	Copper Alloy	*
Insulator (Cable Plug)	PBT	Black UL 94HB

* Conforms to the requirements of EIA/ECA-364-1000.01A (controlled environment applications), and Tyco Electronics production specification 108-2324.

CABLE ASSEMBLIES, RECEPTACLE, PANEL MOUNT, 3 PORT PUSH IN



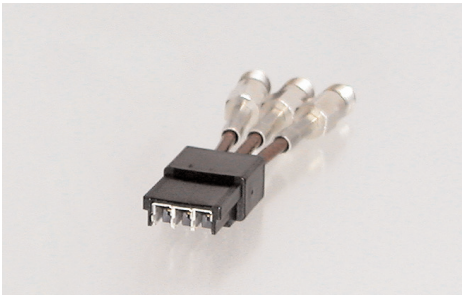
QSL Vista

For Standard PCI Brackets (1.00mm THR)

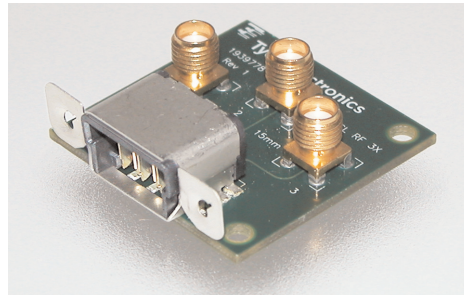
Part Number	Cable Length
1274999-1	63.5mm [2.5"]
1274999-2	130.0mm [5.12"]
1274999-3	508.0mm [20.0"]

Note: Pigtails use 1.32mm dia, double braid coax cable and are terminated with Style A UMCC cable connectors.

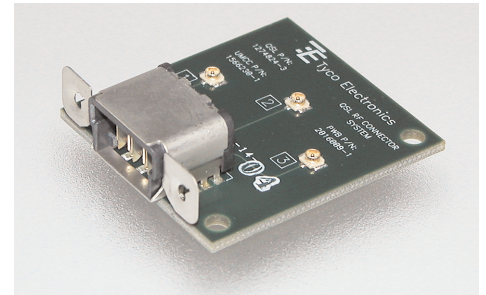
QSL CONNECTOR MATED PAIR VSWR TEST BOARDS



Test dongle, QSL to SMA
Part Number 2032605-1



Test board with Receptacle,
QSL to SMA
Part Number 1513743-1



Test board with Receptacle,
QSL to UMCC
Part Number 2016008-1

Technical Documents:

Instruction Sheet:

408-10212 QSL Connector Mated Pair
VSWR Test Procedure

JUMPER AND PIGTAIL CABLE PLUG ASSEMBLIES

All jumpers and pigtailed cables use RG-174 cable.

QSL Single Port Jumper Cable Plug Assembly



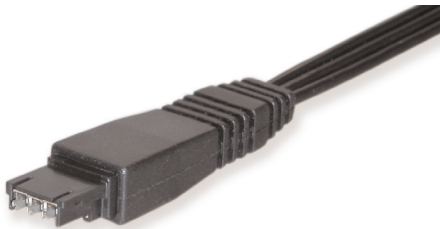
Part Number
2015911-1

QSL Single Port Pigtail Cable Plug Assembly



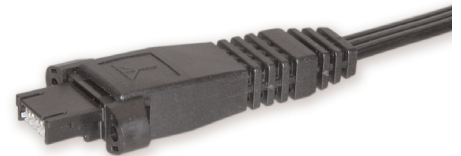
Part Number
2015706-1

QSL Three Port Without Flange Jumper Cable Plug Assembly



Part Number
2015518-1

QSL Three Port With Flange Pigtail Cable Plug Assembly



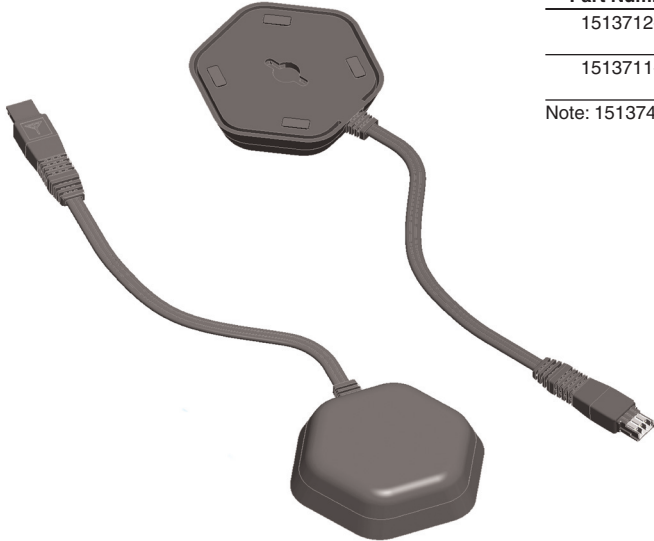
Part Number
2053075-1

FOR MORE INFORMATION ON QSL CABLE ASSEMBLY APPLICATION CONTACT

Product Manager — David Stonfer
Phone: 717-986-5950
E-mail: david.stonfer@tycoelectronics.com

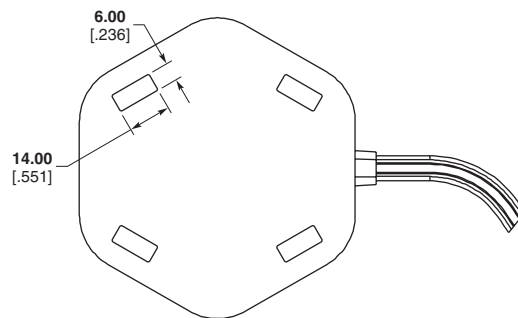
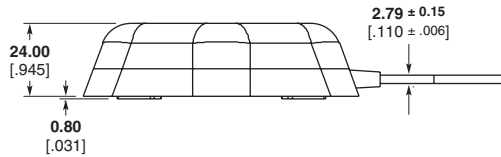
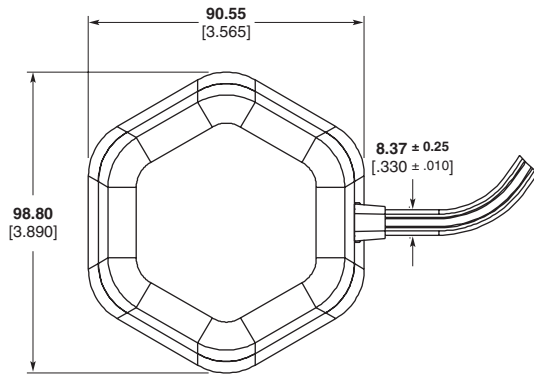
3 PORT CABLE PLUG WITH ANTENNA MODULE ASSEMBLY

Straight Cable Plug 3 port with Antenna Module Assembly



Part Number	Cable	Length	Antenna Type
1513712-1	RG-174	0.8 meters	802.11 a/b/g/n and WiMax antenna assembly w/flange
1513711-1	RG-174	0.8 meters	802.11 a/b/g/n and WiMax antenna assembly w/o flange

Note: 1513743-1 Test Board Adapter Available for VSWR Testing



FOR MORE INFORMATION

Global Product Manager —

Frank Basile

Mobile: 408-234-7737

E-mail: fjb@tycoelectronics.com

Global Engineering Manager —

Bruce Bishop

Phone: 831-662-1154

E-mail: bbishop@tycoelectronics.com

Dimensions are millimeters over inches unless otherwise specified.

3 PORT CABLE PLUG WITH ANTENNA MODULE ASSEMBLY

MIMO Triple Dipole 802.11a/b/g/n Antenna Module Assembly with 3 Port QSL Connector



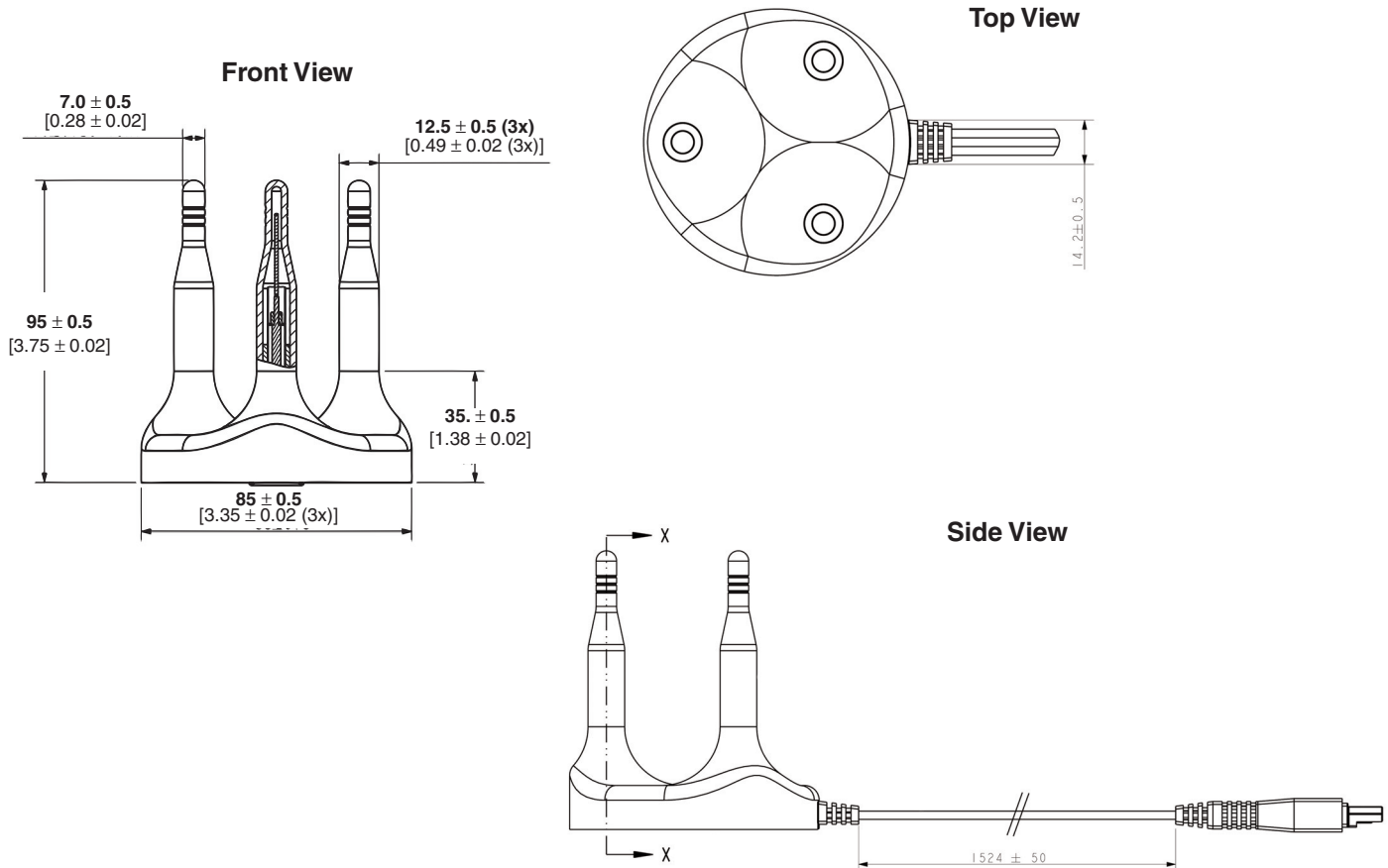
3X RGI74 flat terminated with Tyco Electronics 3-port QSLConnector

Specifications

Frequency Range (GHz)	2.4 – 2.4835; 4.9 – 5.875 GHz
Azimuth Gain at connector (Ave.)	-2 dBi @ 2.4 GHz -4 dBi @ 5 GHz
Return Loss	< -10 dB
VSWR	< 2.0:1
Operating Temperature	-40°C to 70°C
Polarization	Vertical
Power Handling	10 Watts max.
Feed Point Impedance	50 Ohms
Size	95mm x 85mm dia.
Weight	180g.

Part Number	Cable
1513837-1	3X RG-174 or equivalent

Note: 1513743-1 Test Board Adapter Available for VSWR Testing



GLOBAL CONTACTS

Americas

Argentina — Buenos Aires
Phone: +54-11-4733-2200
Fax: +54-11-4733-2211

Brazil — São Paulo
Phone: +55-11-3611-1311
Fax: +55-11-3611-0397

Canada — Toronto
Phone: +905-475-6222
Fax: +905-474-5520
**Product Information Center:
(Technical Support)**
Phone: +905-470-4425
Fax: +905-474-5525

Colombia — Bogotá
Phone: +57-1-231-9398
Fax: +57-1-660-0206

Mexico — Mexico City
Phone: +52-55-1106-0800
Fax: +52-5-361-8545

United States — Harrisburg, PA
Phone: +717-564-0100
Fax: +717-986-7575
**Product Information Center:
(Technical Support)**
Phone: +800-522-6752
Fax: +717-986-7575

**For Latin/South American
Countries not shown**
Phone: +54-11-4733-2015
Fax: +54-11-4733-2083

Asia/Pacific

Australia — Sydney
Phone: +61-2-9554-2600
Fax: +61-2-9502-2556
**Product Information Center:
(Technical Support)**
Phone: +61-2-9840-8200
Fax: +61-2-9634-6188

India — Bangalore
Phone: +91-80-285-40800
Fax: +91-80-285-40820

Indonesia — Jakarta
Phone: +65-6482-0311
Fax: +65-6482-1012

Japan — Tokyo
Phone: +81-44-844-8111
Fax: +81-44-812-3207
Raychem & Identification Products
Phone: +81-44-844-8183
Fax: +81-44-844-8184
**Product Information Center:
(Technical Support)**
Phone: +81-44-844-8013
Fax: +81-44-812-3200

Korea — Seoul
Phone: +82-2-3415-4500
Fax: +82-2-3486-3810

Malaysia — Kuala Lumpur
Phone: +60-3-78053055
Fax: +60-3-78053066

New Zealand — Auckland
Phone: +64-9-634-4580
Fax: +64-9-634-4586

Philippines — Makati City
Phone: +632-848-0171
Fax: +632-867-8661

People's Republic of China
Hong Kong
Phone: +852-2735-1628
Fax: +852-2735-0243

Shanghai
Phone: +86-21-64857333/64850602
Fax: +86-21-64856222/54260190

Singapore — Singapore
Phone: +65-6482-0311
Fax: +65-6482-1012

Raychem Products
Phone: +65-4866-151
Fax: +65-6545-514
Identification Products
Phone: +65 (0) 6482-0311
Fax: +65 (0) 6481-5514

Taiwan — Taipei
Phone: +886-2-8768-2788
Fax: +886-2-8768-2268

Thailand — Bangkok
Phone: +66-2-955-0500
Fax: +66-2-955-0505

Vietnam and Indochina —
Ho Chi Minh City
Phone: +84-8 930-5546
Fax: +84-8 930-3443

Europe/Middle East/Africa

Austria — Vienna
Phone: +43-1 90 5 60-0
Fax: +43-1 90 5 60-1333

Belgium — Kessel-Lo
Phone: +32-16-35-23-00
Fax: +32-16-35-23-52

Bulgaria — Sofia
Phone: +359-2-971-2152
Fax: +359-2-971-2153

Czech Republic — Kurim
Phone: +420-5-41-162-111
Fax: +420-5-41-162-223

Denmark — Glostrup
Phone: +45-43-480-452
Fax: +45-43-441-414

Egypt — Cairo
Phone: +20-2-29 04 281
Fax: +20-2-41 92 334

Estonia — Tartu
Phone: +372-5138-274
Fax: +372-7400-779

Finland — Helsinki
Phone: +358-95-12-34-20
Fax: +358-95-12-34-250

France — Cergy-Pontoise
Phone: +33-1-3420-8888
Fax: +33-1-3420-8600
**Product Information
Center:
(Technical Support)**
Phone: +33-1-3420-8943
Fax: +33-1-3420-8623

Germany — Bensheim
Phone: +49-6251-133-0
Fax: +49-6251-133-1600
**Product Information
Center:
(Technical Support)**
Phone: +49-6251-133-1999
Fax: +49-6251-133-1988

Germany — Langen
Phone: +49-6103-709-0
Fax: +49-6103-709-1223

Germany — Speyer
Phone: +49-6232-30-0
Fax: +49-6232-30-2243

Germany - HTS Division —
Neunkirchen
Phone: +49-2247-305-0
Fax: +49-2247-305-122

Greece — Athens
Phone: +30-210-9370-396/397
Fax: +30-210-9370-655

Hungary — Budapest
Phone: +36-1-289-1000
Fax: +36-1-289-1010

Ireland — Dublin
Phone: +353-1-820-3000
Fax: +353-1-820-9790

Israel — Yokneam
Phone: +972-4-959-0508
Fax: +972-4-959-0506

Italy — Collegno (Torino)
Phone: +39-011-4012-111
Fax: +39-011-4031116

Lithuania — Vilnius
Phone: +370-5-2131-402
Fax: +370-5-2131-403

Netherlands —
Hertogenbosch
Phone: +31-73-624-62-46
Fax: +31-73-621-23-65
**Product Information
Center:
(Technical Support)**
Phone: +31-73-6246-999
Fax: +31-73-6246-998

Norway — Nesbru
Phone: +47-66-77-8886
Fax: +47-66-77-8855

Poland — Warsaw
Phone: +48-22-45-76-700
Fax: +48-22-45-76-720

Romania — Bucharest
Phone: +40-21-311-3479/3596
Fax: +40-21-312-0574

Russia — Moscow
Phone: +7-495-926-5506/07/08/09
Fax: +7-495-926-5505

Russia — St. Petersburg
Phone: +7-812-718-8192
Fax: +7-812-718-8193

Slovenia — Ljubljana
Phone: +386-1561-3270
Fax: +386-1561-3240

South Africa — Port Elizabeth
Phone: +2741-503-4500
Fax: +2741-581-0440

Spain — Barcelona
Phone: +34-93-291-0330
Fax: +34-93-201-7879
**Product Information
Center:
(Technical Support):**
Phone: +34-93-291-0330
Fax: +34-93-200-3779

Sweden — Upplands Väsby
Phone: +46-8-50-72-50-00
Fax: +46-8-50-72-50-01

Switzerland — Steinach
Phone: +41-71-447-0447
Fax: +41-71-447-0444

Turkey — Istanbul
Phone: +90-212-281-8181/8181/2/3
Fax: +90-212-281-8184

Ukraine — Kiev
Phone: +380-044-206-2265
Fax: +380-044-206-2264

United Kingdom — Swindon
Phone: +44-8706-080-208
Fax: +44-1793-572-516
**Product Information
Center:
(Technical Support)**
FreePhone GB: 0800-267-666
Phone: +44-8706-080-208
Fax: +44-208-420-8081

© Copyright 2007 by Tyco Electronics Corporation. All International Rights Reserved.

TE LOGO and TYCO ELECTRONICS are trademarks.

WIMAX is a trademark of WIMAX FORUM

WI-FI is a trademark of WI-FI ALLIANCE.

Other products, logos, and company names mentioned herein may be trademarks of their respective owners.

9-1773447-4 04/08