



Chipsmall Limited consists of a professional team with an average of over 10 year of expertise in the distribution of electronic components. Based in Hongkong, we have already established firm and mutual-benefit business relationships with customers from,Europe,America and south Asia,supplying obsolete and hard-to-find components to meet their specific needs.

With the principle of “Quality Parts,Customers Priority,Honest Operation,and Considerate Service”,our business mainly focus on the distribution of electronic components. Line cards we deal with include Microchip,ALPS,ROHM,Xilinx,Pulse,ON,Everlight and Freescale. Main products comprise IC,Modules,Potentiometer,IC Socket,Relay,Connector.Our parts cover such applications as commercial,industrial, and automotives areas.

We are looking forward to setting up business relationship with you and hope to provide you with the best service and solution. Let us make a better world for our industry!



Contact us

Tel: +86-755-8981 8866 Fax: +86-755-8427 6832

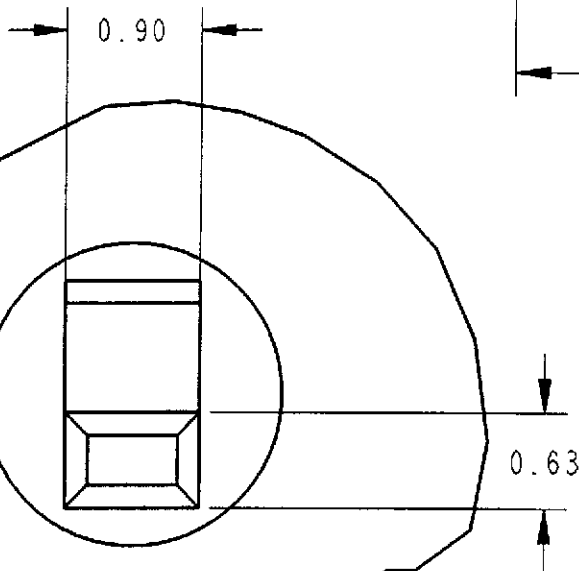
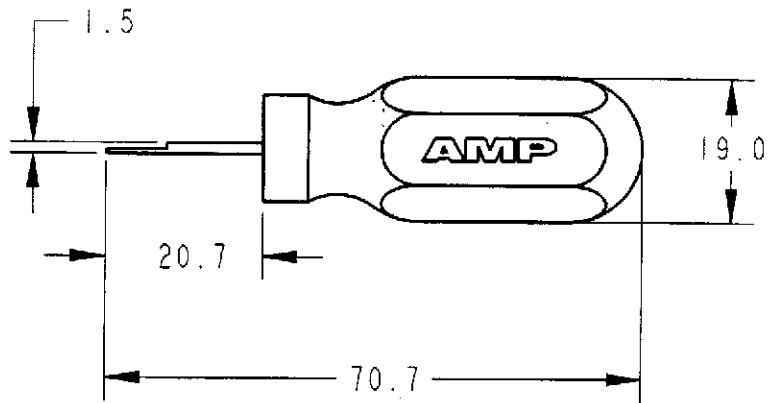
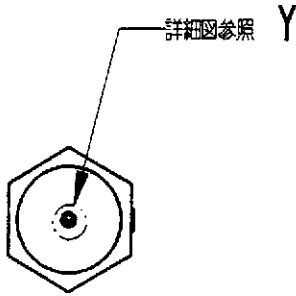
Email & Skype: info@chipsmall.com Web: www.chipsmall.com

Address: A1208, Overseas Decoration Building, #122 Zhenhua RD., Futian, Shenzhen, China



LOC	DIST	REVISIONS					
J	-	P	LTR	DESCRIPTION	DATE	DWN	APVD
		0	RELEASED	FJ00-0319-99	22FEB99	J.K	S.Y

-1: AS SHOWN
本図



詳細図 Y
スケール 20:1

- 1 APPLICABLE PRODUCTS 適用製品
- TERMINAL REC(STRIP): 131805/106-□
 - TERMINAL REC(L.P.): 1318107/108-□
 - TERMINAL TAB(STRIP): 131809/110-□
 - TERMINAL TAB(L.P.): 1318111/112-□
 - TAB HOUSING : 1318114~117-□
 - REC HOUSING : 1318118~120-□

2 INSTRUCTION SHEET NO: 411-5900
取扱説明書番号

THIS DRAWING IS UNPUBLISHED.

BY AMP INCORPORATED. ALL RIGHTS RESERVED. © COPYRIGHT 19

DIMENSIONS: mm	DWN J. KOGA	22-Feb-99	MATERIAL	FINISH
	CHK J. KOGA	22FEB99	AMP AMP(JAPAN), LTD. Kawasaki, Japan	
TOLERANCES UNLESS OTHERWISE SPECIFIED:	APVD S. YABE	22FEB99		
	0 PLC ±	PRODUCT SPEC	EXT-TOOL FOR DYNAMIC D2 CONN	
1 PLC ±0.5	APPLICATION SPEC	114-5258	SIZE	CAGE CODE
2 PLC ±0.13	WEIGHT	-	A4	00779
3 PLC ±0.013	CUSTOMER DRAWING		DRAWING NO	C=1276716
4 PLC ±			RESTRICTED TO	-
ANGLES ±0°30'			SCALE	1:1
			SHEET	1 OF 1
			REV	0