



Chipsmall Limited consists of a professional team with an average of over 10 year of expertise in the distribution of electronic components. Based in Hongkong, we have already established firm and mutual-benefit business relationships with customers from,Europe,America and south Asia,supplying obsolete and hard-to-find components to meet their specific needs.

With the principle of “Quality Parts,Customers Priority,Honest Operation,and Considerate Service”,our business mainly focus on the distribution of electronic components. Line cards we deal with include Microchip,ALPS,ROHM,Xilinx,Pulse,ON,Everlight and Freescale. Main products comprise IC,Modules,Potentiometer,IC Socket,Relay,Connector.Our parts cover such applications as commercial,industrial, and automotives areas.

We are looking forward to setting up business relationship with you and hope to provide you with the best service and solution. Let us make a better world for our industry!



## Contact us

Tel: +86-755-8981 8866 Fax: +86-755-8427 6832

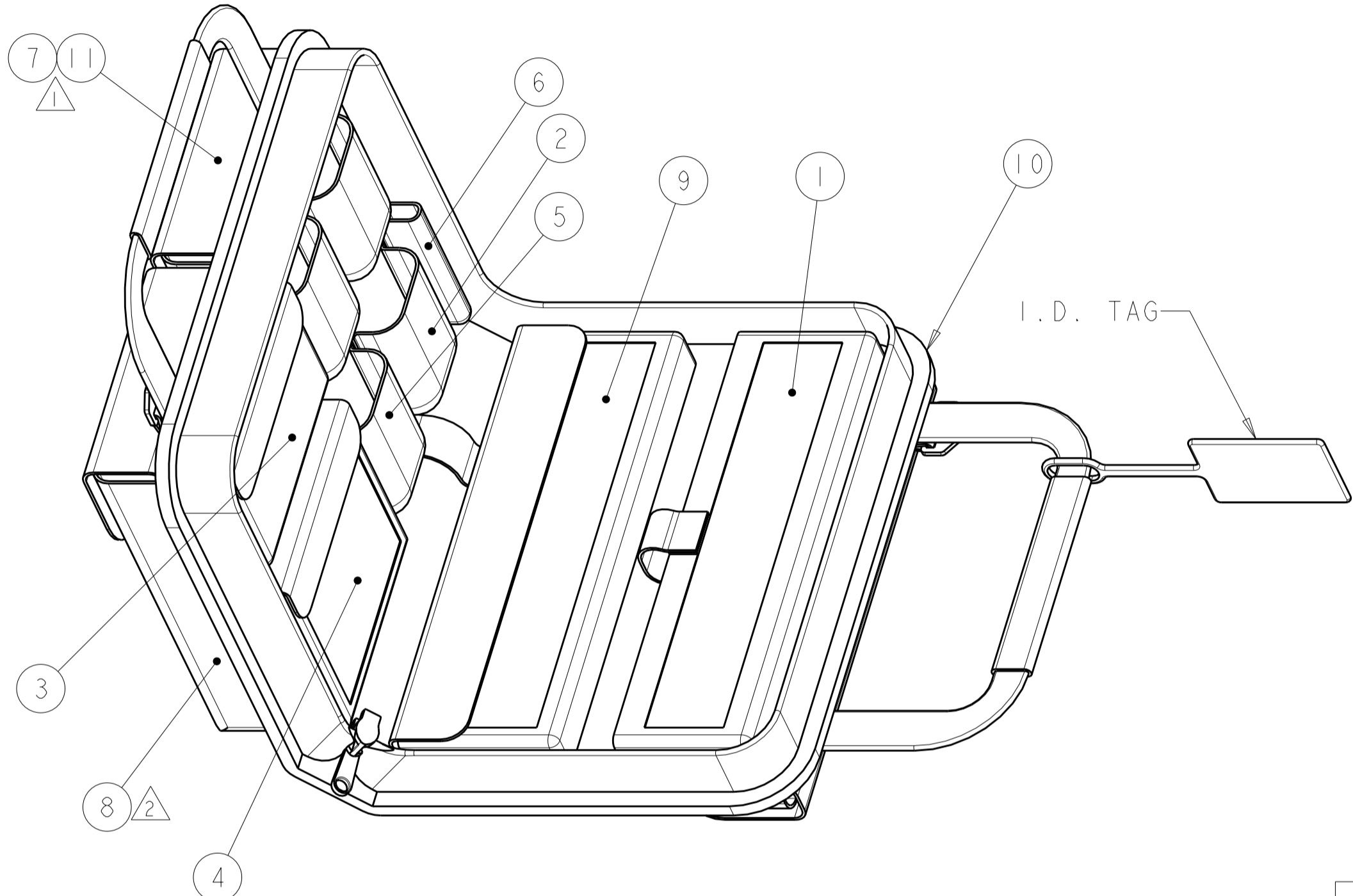
Email & Skype: info@chipsmall.com Web: www.chipsmall.com

Address: A1208, Overseas Decoration Building, #122 Zhenhua RD., Futian, Shenzhen, China



THIS DRAWING IS UNPUBLISHED. RELEASED FOR PUBLICATION 20  
 © COPYRIGHT 20 BY TYCO ELECTRONICS CORPORATION. ALL RIGHTS RESERVED.

LOC		DIST		REVISIONS			
P	LTR	DESCRIPTION	DATE	DWN	APVD		
	H	REV PER ECR-06-008849	16MAY2006	BB	DK		
	J	REVISE PER ECR-09-000232	09JAN2009	BB	DK		



- △ 11 TE INSTRUCTION SHEETS AND MANUFACTURER'S INSTRUCTION SHEETS.
- △ 2 OPTIONAL SHOULDER STRAP.
- 3. INSTRUCTION SHEETS 408-4471 EXPLAINS THE LightCrimp Plus SC TERMINATION TECHNIQUES AND ARE AVAILABLE FOR DOWNLOAD AT [www.tycoelectronics.com/documents](http://www.tycoelectronics.com/documents).

1	1	2064710-1	FIBER OPTICS CLEANING & INSPECTION GUIDE	11
1	1	1278540-1	PREMIUM SOFTCASE	10
1	-	1754767-1	200x MICROSCOPE	9
1	1	1871696-1	FIBER CLEAVER, SLIDE CUTTER	8
1	1	1374503-1	CD ROM, TERMINATION TRAINING	7
2	2	1278422-1	OPEN END WRENCH, 1/4	6
1	1	1278637-1	KEVLAR SHEARS	5
1	1	1278023-1	CABLE CLAMP, LightCrimp Plus SC	4
14	14	501857-2	ALCOHOL WIPES	3
1	1	1754708-1	FIBER STRIP TOOL, COMB.	2
1	1	492782-1	HAND TOOL WITH DIESET, SC	1
-2	-1	PART NUMBER	DESCRIPTION	ITEM NO.

<small>THIS DRAWING IS A CONTROLLED DOCUMENT FOR TYCO ELECTRONICS CORPORATION. IT IS SUBJECT TO CHANGE AND THE CONTROLLING ENGINEERING ORGANIZATION SHOULD BE CONTACTED FOR THE LATEST REVISION.</small>		DWN B. BRIGGS 16MAY2006 CHK D. KIRSCH 16MAY2006 APVD S. BUCHTER 16MAY2006	Tyco Electronics Harrisburg, PA 17105-3608
DIMENSIONS: mm 	TOLERANCES UNLESS OTHERWISE SPECIFIED: 0 PLC ± 1 PLC ± 2 PLC ± 3 PLC ± 4 PLC ± ANGLES ± FINISH	PRODUCT SPEC - APPLICATION SPEC - WEIGHT -	NAME TERMINATION KIT, LightCrimp Plus, AMP SC SIZE A200779 CAGE CODE C-1278022 DRAWING NO - RESTRICTED TO -
MATERIAL -		CUSTOMER DRAWING SCALE NTS SHEET 1 OF 1 REV J	