



Chipsmall Limited consists of a professional team with an average of over 10 year of expertise in the distribution of electronic components. Based in Hongkong, we have already established firm and mutual-benefit business relationships with customers from,Europe,America and south Asia,supplying obsolete and hard-to-find components to meet their specific needs.

With the principle of “Quality Parts,Customers Priority,Honest Operation,and Considerate Service”,our business mainly focus on the distribution of electronic components. Line cards we deal with include Microchip,ALPS,ROHM,Xilinx,Pulse,ON,Everlight and Freescale. Main products comprise IC,Modules,Potentiometer,IC Socket,Relay,Connector.Our parts cover such applications as commercial,industrial, and automotives areas.

We are looking forward to setting up business relationship with you and hope to provide you with the best service and solution. Let us make a better world for our industry!



Contact us

Tel: +86-755-8981 8866 Fax: +86-755-8427 6832

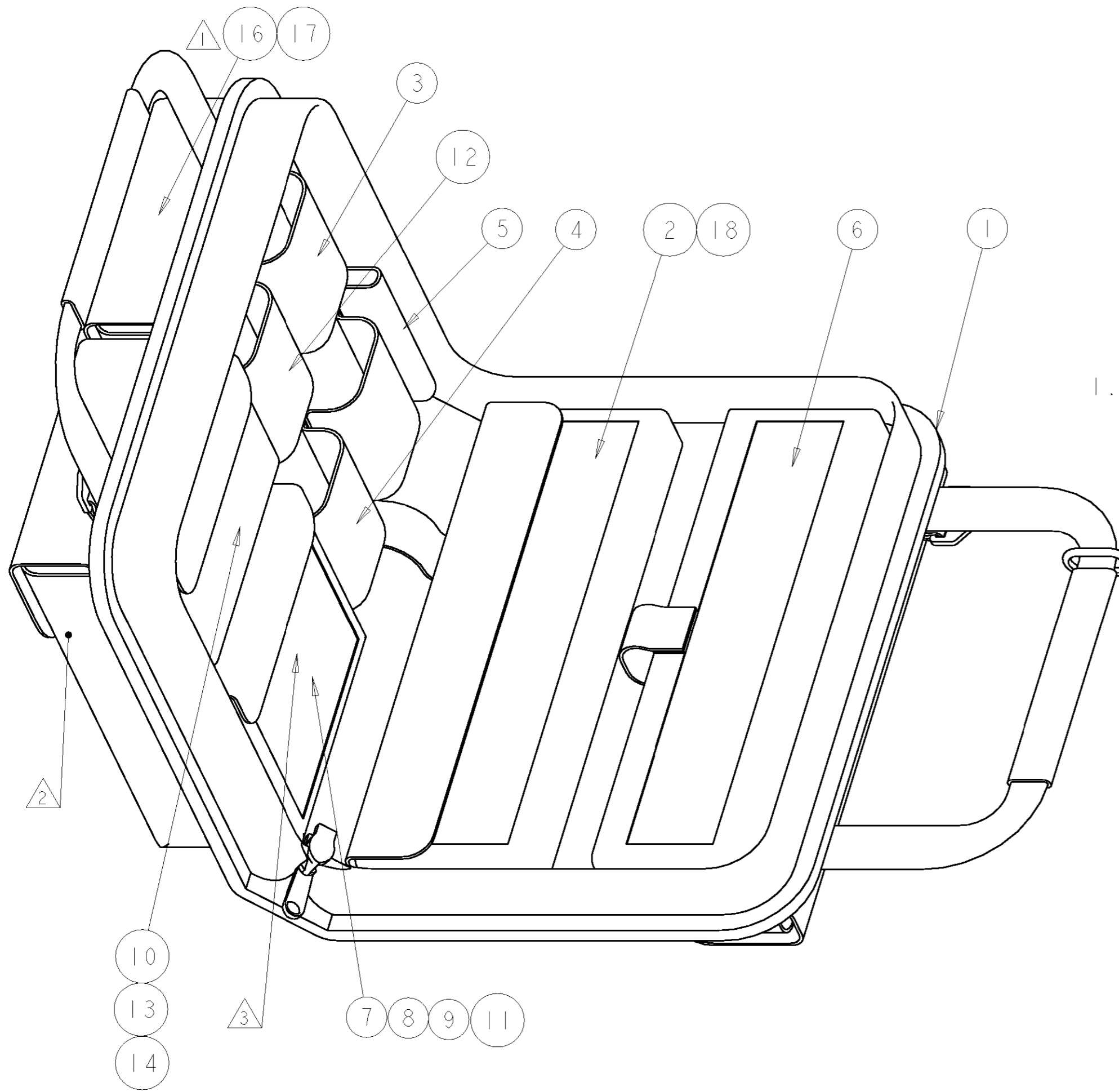
Email & Skype: info@chipsmall.com Web: www.chipsmall.com

Address: A1208, Overseas Decoration Building, #122 Zhenhua RD., Futian, Shenzhen, China



THIS DRAWING IS UNPUBLISHED. RELEASED FOR PUBLICATION 20
 © COPYRIGHT 20 BY TYCO ELECTRONICS CORPORATION. ALL RIGHTS RESERVED.

LOC	DIST	REVISIONS					
CE	16	P	LTR	DESCRIPTION	DATE	DWN	APVD
		M		REVISED PER 0A00-0235-01	23JAN2002	TA	BE
		N		REVISE PER 0A00-0349-02	16APR2002	BB	DK



- △ 1 AMP INSTRUCTION SHEETS AND MANUFACTURERS' INSTRUCTION SHEETS
- △ 2 OPTIONAL SHOULDER STRAP
- △ 3 PLACE 2.5mm UNIVERSAL ADAPTER FROM MICROSCOPE 502978-1, ITEM 17, INTO POCKET.

QTY	UNIT	DESCRIPTION	PART NUMBER	ITEM
-	-	BALL END HEX KEY (5)	1457999-1	18
1	1	CD-ROM, MT-RJ TERM TRAINING	1435138-1	17
1	1	CD - ROM, TERMINATION TRAINING	1374503-1	16
-	-	LABEL, TERMINATION KIT	1374331-1	15
-	-	STRIP TEMPLATE, MT-RJ	1278598-1	14
-	-	ACTUATION KEY, MT-RJ	1278576-1	13
-	-	MICRO-STRIPPER, MT-RJ	492109-2	12
-	-	OPTIMATE CABLE STRIPPER	501198-1	11
-	-	ALCOHOL FIBER WIPE	501857-2	10
-	-	CABLE/BUFFER HOLDER,LightCrimp Plus AMP SC	1278023-1	9
-	-	CABLE/BUFFER HOLDER,LightCrimp Plus ST-STYLE	492703-1	8
-	-	LightCrimp Plus DIESET, ST-STYLE	492622-1	7
-	-	LightCrimp Plus PROCRIMPER W/DIESET,AMP SC	492782-1	6
2	2	WRENCH, 1/4 OPEN END	1278422-1	5
1	1	KEVLAR SHEARS	1278637-1	4
1	1	STRIP TOOL,FIBER,COMBINATION	1278947-1	3
-	-	CLEAVE TOOL, S-315	492674-1	2
1	1	PREMIUM SOFTCASE	1278540-1	1
-3	-2	DESCRIPTION	PART NUMBER	ITEM

SCALE 1:2

THIS DRAWING IS A CONTROLLED DOCUMENT FOR TYCO ELECTRONICS CORPORATION. IT IS SUBJECT TO CHANGE AND THE CONTROLLING ENGINEERING ORGANIZATION SHOULD BE CONTACTED FOR THE LATEST REVISION.

DWN: I. ALEXANDER 15NOV2000
 CHK: M. HAMONKO 15NOV2000
 APVD: S. BUCHTER 15NOV2000

AMP Tyco Electronics
 Harrisburg, PA 17105-3608

NAME: TERMINATION KIT, COMBINATION, LightCrimp Plus AND MT-RJ JACK

SIZE: A2 CAGE CODE: 00779 DRAWING NO: 1278118 RESTRICTED TO: -

CUSTOMER DRAWING SCALE: 1:2 SHEET 1 OF 1 REV N