



Chipsmall Limited consists of a professional team with an average of over 10 year of expertise in the distribution of electronic components. Based in Hongkong, we have already established firm and mutual-benefit business relationships with customers from,Europe,America and south Asia,supplying obsolete and hard-to-find components to meet their specific needs.

With the principle of “Quality Parts,Customers Priority,Honest Operation,and Considerate Service”,our business mainly focus on the distribution of electronic components. Line cards we deal with include Microchip,ALPS,ROHM,Xilinx,Pulse,ON,Everlight and Freescale. Main products comprise IC,Modules,Potentiometer,IC Socket,Relay,Connector.Our parts cover such applications as commercial,industrial, and automotives areas.

We are looking forward to setting up business relationship with you and hope to provide you with the best service and solution. Let us make a better world for our industry!



Contact us

Tel: +86-755-8981 8866 Fax: +86-755-8427 6832

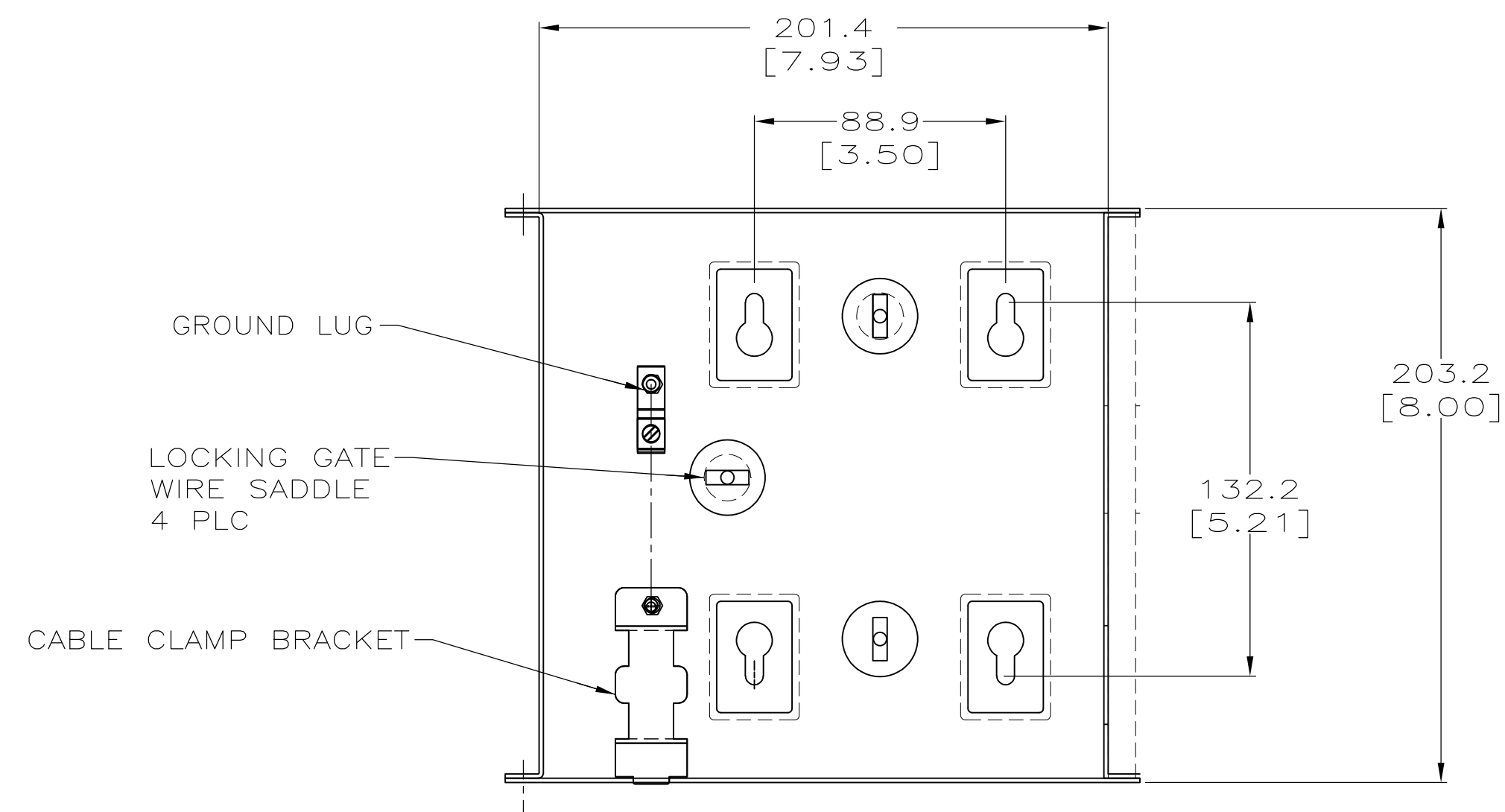
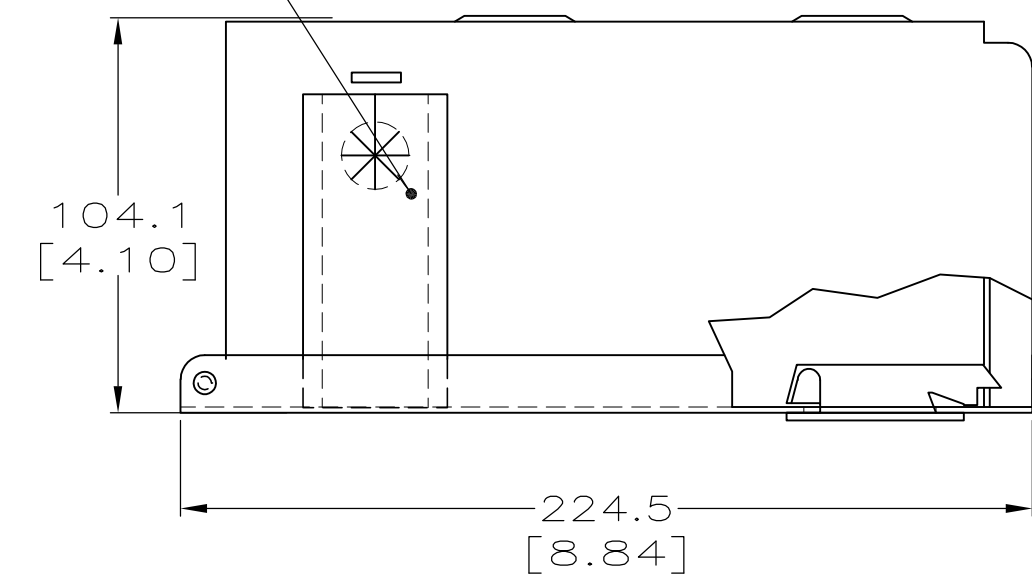
Email & Skype: info@chipsmall.com Web: www.chipsmall.com

Address: A1208, Overseas Decoration Building, #122 Zhenhua RD., Futian, Shenzhen, China

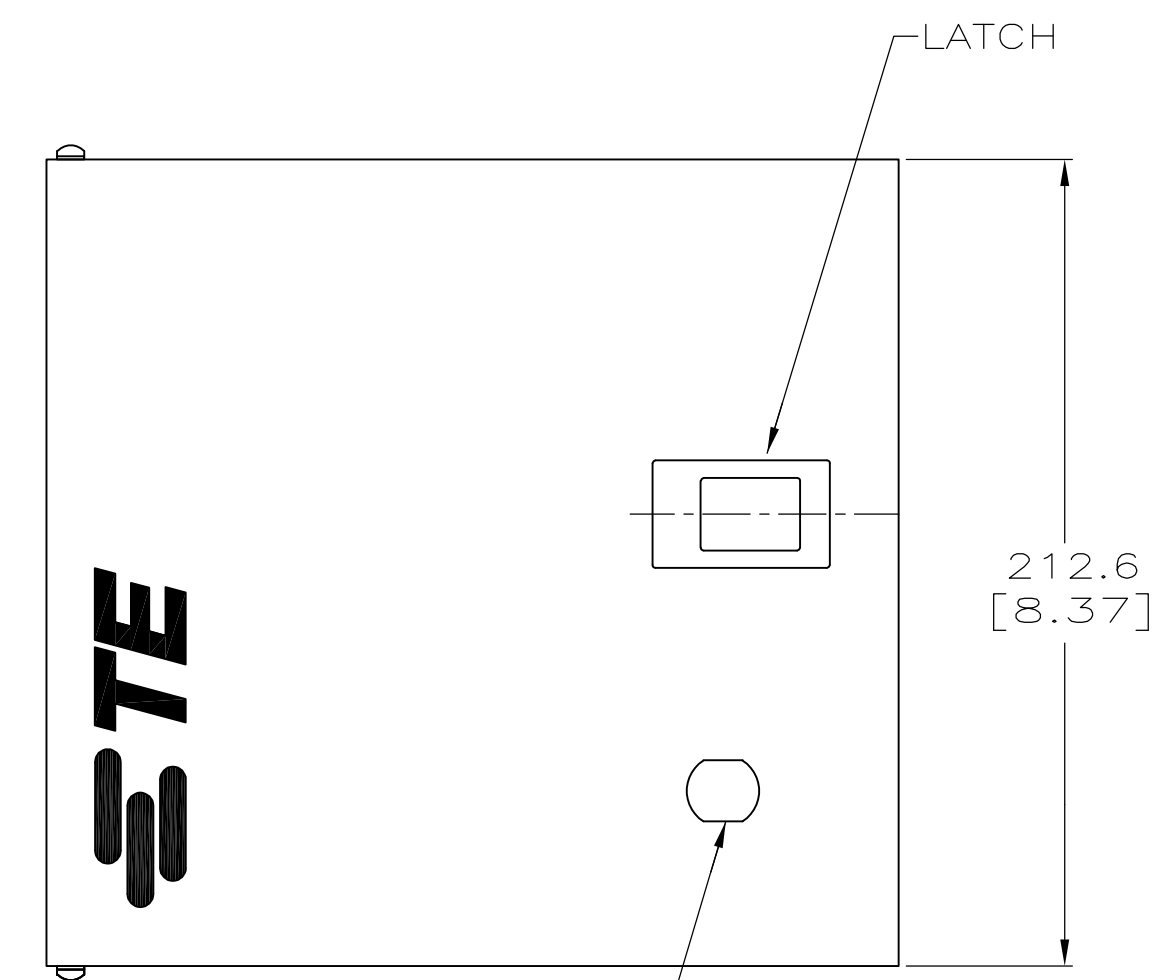


LOC	DIST	REVISIONS			
P	LTR	DESCRIPTION	DATE	DWN	APVD
CE	16	C	ECO-13-003340	26FEB2013	JM TE

GROMMET
2 PLC

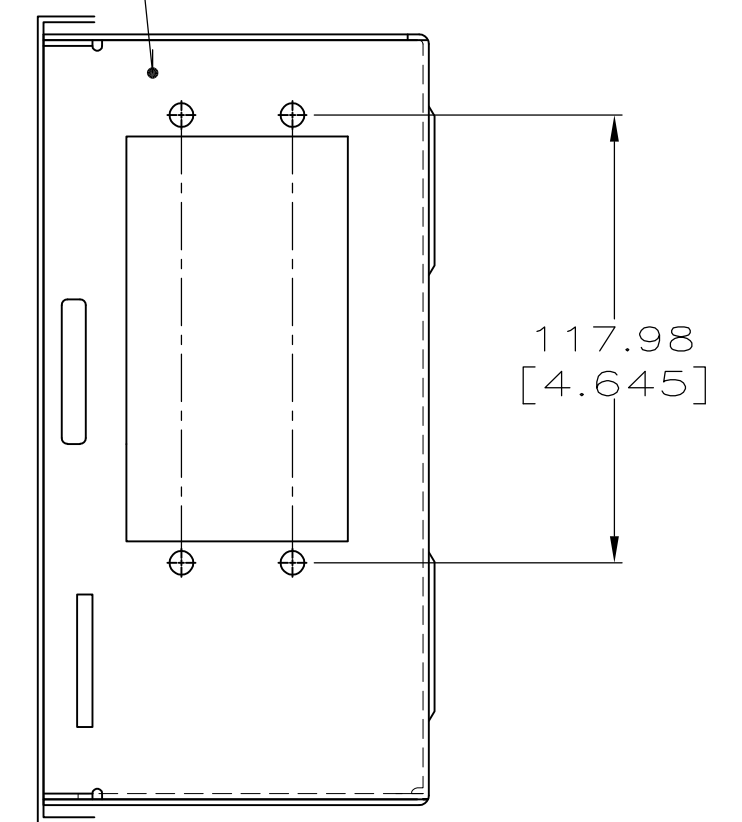


DOORS NOT SHOWN IN THIS VIEW



KNOCKOUT FOR OPTIONAL
KEY LOCK P/N 559501-2

PANEL WILL ACCEPT SNAP-IN
ADAPTER PLATES ONLY



- THE FOLLOWING LABELS ARE BAGGED AND PLACED INSIDE THE ENCLOSURE
 - 2 DANGER LABELS
 - 2 12-LINE "FIBER PATCH PORTS" LABELS
- FOUR SCREWS ARE PROVIDED FOR MOUNTING ENCLOSURE

BLACK ENAMEL PAINT	1278323-2
LT ALMOND ENAMEL PAINT	1278323-1
FINISH	PART NO

THIS DRAWING IS A CONTROLLED DOCUMENT.		DWN	J W DAVIS	9-1-98
DIMENSIONS: mm [in]		CHK	M WOOD	9-1-98
TOLERANCES UNLESS OTHERWISE SPECIFIED:		APVD	S BUCHTER	9-1-98
0 PLC	±-	PRODUCT SPEC		
1 PLC	±-	-		
2 PLC	±1.0[.04]	APPLICATION SPEC		
3 PLC	±-	-		
4 PLC	±-	WEIGHT		
ANGLES	±-	-		
FINISH	-	CUSTOMER DRAWING		
MATERIAL	STEEL	SIZE	A2	CAGE CODE
		DRAWING NO	00779	C-1278323
		SCALE	1:2	SHEET 1 OF 1
		REV	C	

AMP AMP Incorporated
Harrisburg, PA 17105-3608

NAME ENCLOSURE, WALL MOUNT
SINGLE DOOR, 12 PORT