



Chipsmall Limited consists of a professional team with an average of over 10 year of expertise in the distribution of electronic components. Based in Hongkong, we have already established firm and mutual-benefit business relationships with customers from,Europe,America and south Asia,supplying obsolete and hard-to-find components to meet their specific needs.

With the principle of “Quality Parts,Customers Priority,Honest Operation,and Considerate Service”,our business mainly focus on the distribution of electronic components. Line cards we deal with include Microchip,ALPS,ROHM,Xilinx,Pulse,ON,Everlight and Freescale. Main products comprise IC,Modules,Potentiometer,IC Socket,Relay,Connector.Our parts cover such applications as commercial,industrial, and automotives areas.

We are looking forward to setting up business relationship with you and hope to provide you with the best service and solution. Let us make a better world for our industry!



Contact us

Tel: +86-755-8981 8866 Fax: +86-755-8427 6832

Email & Skype: info@chipsmall.com Web: www.chipsmall.com

Address: A1208, Overseas Decoration Building, #122 Zhenhua RD., Futian, Shenzhen, China



THIS DRAWING IS UNPUBLISHED. RELEASED FOR PUBLICATION
 © COPYRIGHT 19 BY TYCO ELECTRONICS CORPORATION. ALL INTERNATIONAL RIGHTS RESERVED.

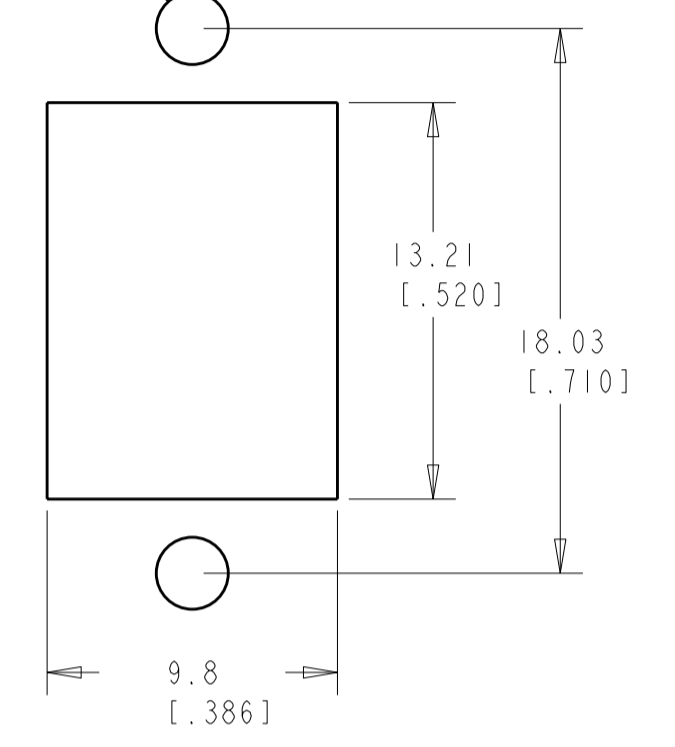
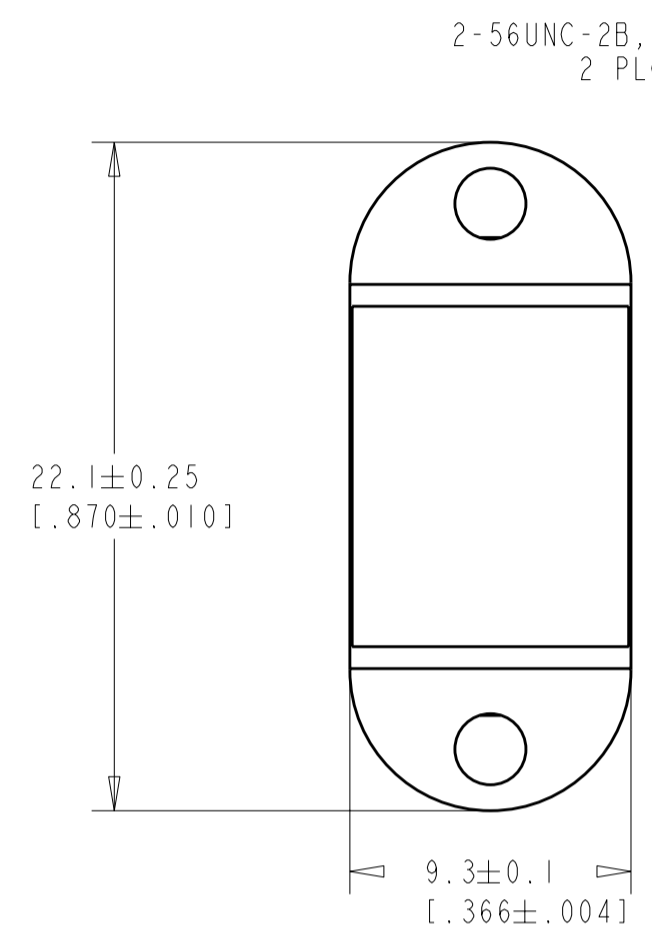
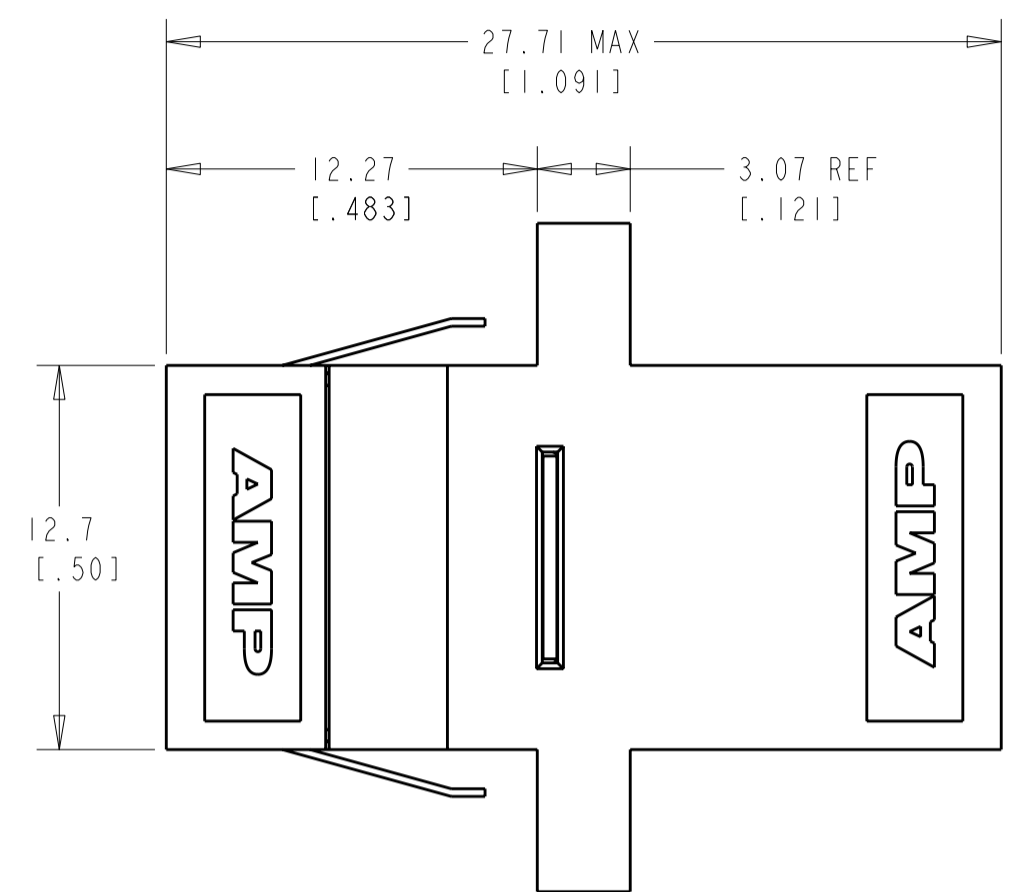
LOC	DIST	REVISIONS					
		P	LTR	DESCRIPTION	DATE	DWN	APVD
CE	16		G	REV PER 0A00-0066-03	5-19-03	DDE	SM
			G1	REVISED PER ECO-10-000445	27JAN10	KK	HMR
			-	-	-	-	-

1 MATERIAL:
 HOUSING: DIECAST
 SLEEVE: SEE DASH NO'S
 RETAINER: PEI GF30, COLOR: BLACK, UL94 V-0 RATED AT QUALIFYING THICKNESS.
 DUST COVER: TPE, COLOR: BLACK, UL94 V-0 RATED AT QUALIFYING THICKNESS.
 RETENTION CLIP: SST

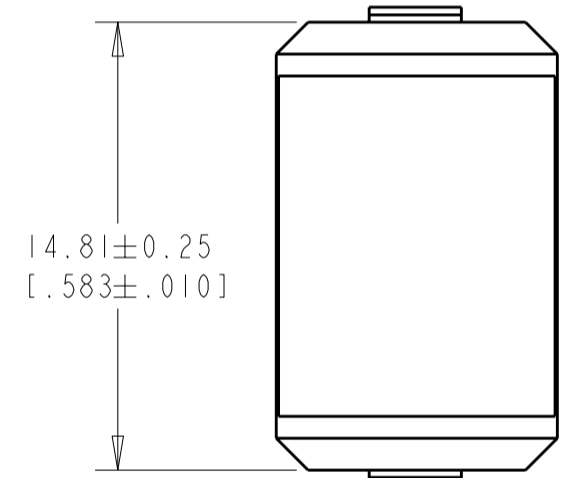
2 FINISH:
 HOUSING: NICKEL PLATED

3 BULK PACKAGE, 50 PCS.

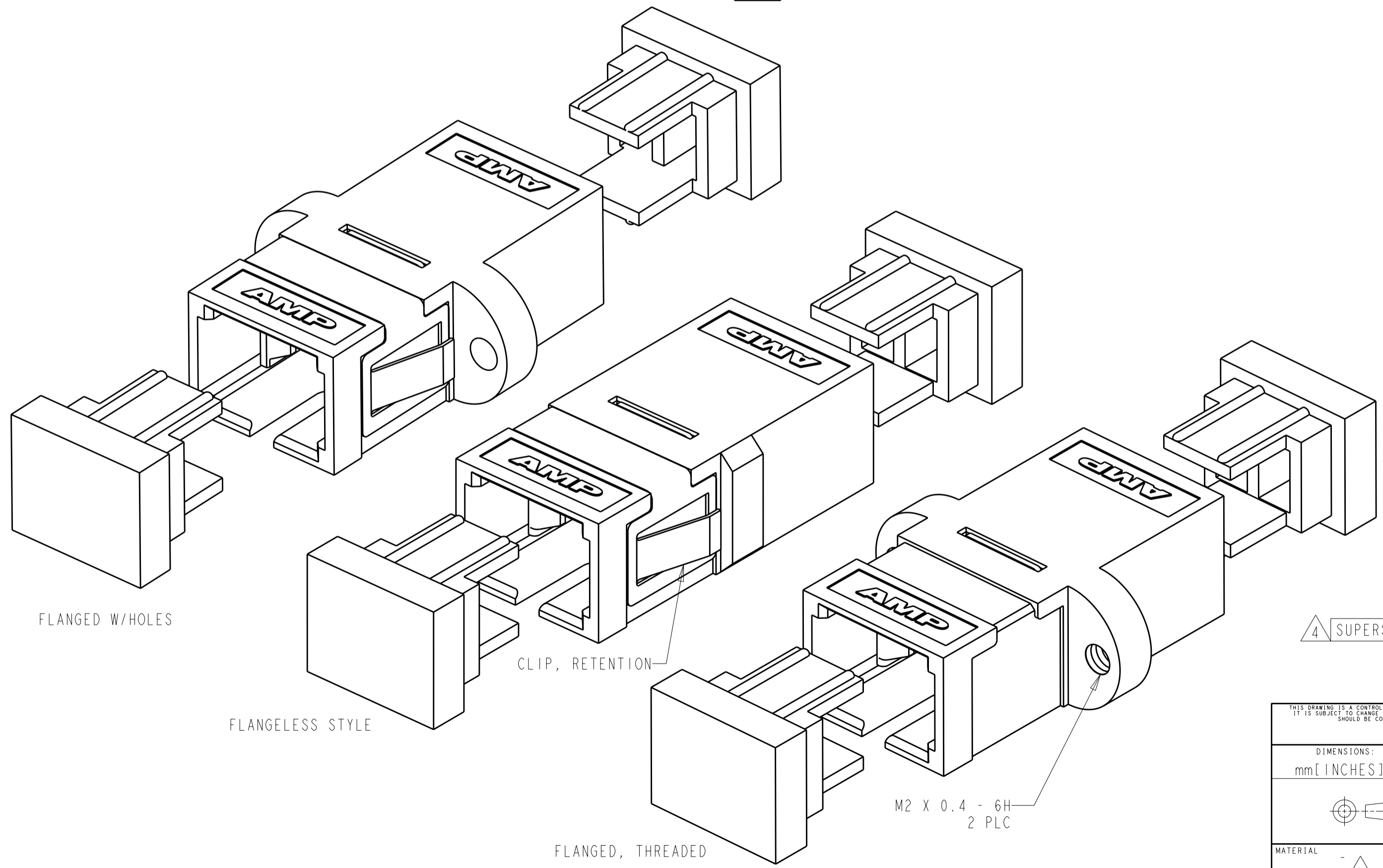
4 OBSOLETE PARTS: OBSOLETE CIS STREAMLINING PER D.RENAUD/D.SINISI



SUGGESTED PANEL CUTOUT
 MAX PANEL THICKNESS 1.7 [.067]



FLANGELESS STYLE



3			
	CERAMIC	FLANGED W/HOLES, NO CLIP	1-1278348-2
	METAL	THREADED FLANGE, NO CLIP	1-1278348-1
4	SUP 1-6278348-0	CERAMIC	FLANGELESS, NO CLIP
	METAL	FLANGED W/HOLES, NO CLIP	1278348-9
	CERAMIC	FLANGELESS	1278348-8
	CERAMIC	FLANGELESS	1278348-7
	METAL	FLANGELESS	1278348-6
	METAL	FLANGELESS	1278348-5
	CERAMIC	FLANGED W/HOLES	1278348-4
	CERAMIC	FLANGED W/HOLES	1278348-3
4	SUPERSEDED BY 6278348-2	METAL	FLANGED W/HOLES
	METAL	FLANGED W/HOLES	1278348-1
	ALIGNMENT SLEEVE	DESCRIPTION	PART NO

THIS DRAWING IS A CONTROLLED DOCUMENT FOR TYCO ELECTRONICS CORPORATION. IT IS SUBJECT TO CHANGE AND THE CONTROLLING ENGINEERING ORGANIZATION SHOULD BE CONTACTED FOR THE LATEST REVISION.		DWN D. ERDMAN 11-5-98	AMP Incorporated Harrisburg, PA 17105-3608	
DIMENSIONS: mm [INCHES]		CHK J. ENGLISH 11-5-98	NAME ASSEMBLY, RECEPTACLE, SC/SC SIMPLEX, DIECAST HOUSING	
TOLERANCES UNLESS OTHERWISE SPECIFIED: 0 PLC ± 1 PLC ±0.13 [.005] 2 PLC ±0.13 [.005] 3 PLC ± 4 PLC ± ANGLES ± FINISH ±		APVD S. BUCHTER 11-5-98	SIZE A2	
MATERIAL		PRODUCT SPEC	CAGE CODE 00779	DRAWING NO 1278348
1		APPLICATION SPEC	RESTRICTED TO	
2		WEIGHT	SCALE 4:1	SHEET 1 OF 1
		CUSTOMER DRAWING	REV G1	