



Chipsmall Limited consists of a professional team with an average of over 10 year of expertise in the distribution of electronic components. Based in Hongkong, we have already established firm and mutual-benefit business relationships with customers from,Europe,America and south Asia,supplying obsolete and hard-to-find components to meet their specific needs.

With the principle of “Quality Parts,Customers Priority,Honest Operation,and Considerate Service”,our business mainly focus on the distribution of electronic components. Line cards we deal with include Microchip,ALPS,ROHM,Xilinx,Pulse,ON,Everlight and Freescale. Main products comprise IC,Modules,Potentiometer,IC Socket,Relay,Connector.Our parts cover such applications as commercial,industrial, and automotives areas.

We are looking forward to setting up business relationship with you and hope to provide you with the best service and solution. Let us make a better world for our industry!



Contact us

Tel: +86-755-8981 8866 Fax: +86-755-8427 6832

Email & Skype: info@chipsmall.com Web: www.chipsmall.com

Address: A1208, Overseas Decoration Building, #122 Zhenhua RD., Futian, Shenzhen, China



4

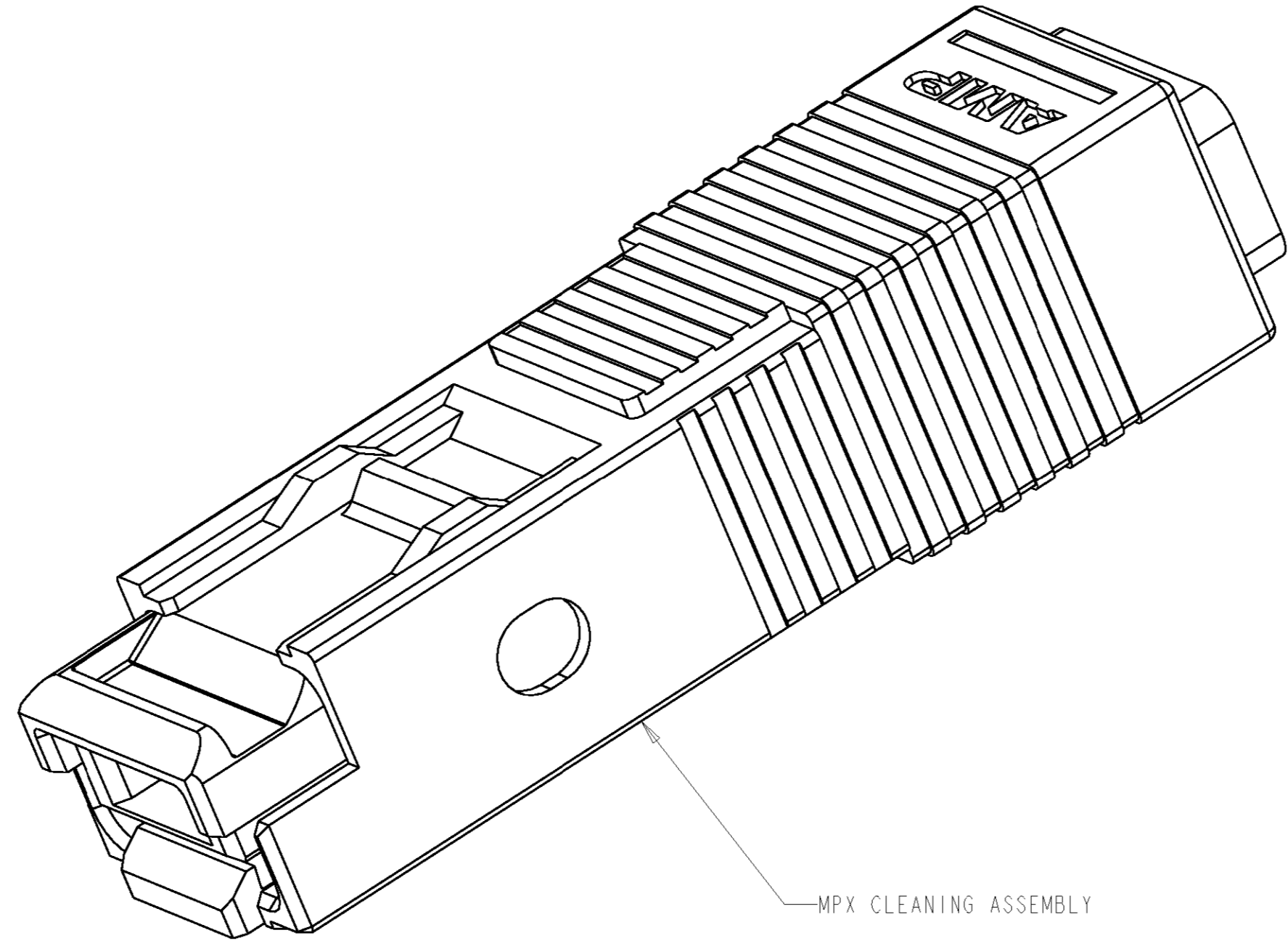
3

2

1

THIS DRAWING IS UNPUBLISHED. RELEASED FOR PUBLICATION
 © COPYRIGHT 19 BY TYCO ELECTRONICS CORPORATION. ALL RIGHTS RESERVED.

LOC	DIST	REVISIONS					
		P	LTR	DESCRIPTION	DATE	DWN	APVD
CE	16		O	RELEASE PER NPR 98-487	12NOV98	EH	SH
			A	REVISED PER EC 0A00-0160-99	12MAR99	RB	SH
			B	REV PER ECN 0A00-0563-00	18JUL2000	SH	FA



MPX CLEANING ASSEMBLY

SCALE 8:1

BULK PACK 25 PIECES.

1278386-2
PART NUMBER

<small>THIS DRAWING IS A CONTROLLED DOCUMENT FOR TYCO ELECTRONICS CORPORATION IT IS SUBJECT TO CHANGE AND THE CONTROLLING ENGINEERING ORGANIZATION SHOULD BE CONTACTED FOR THE LATEST REVISION.</small>		DWN	E_Haley	11NOV98	AMP Incorporated Harrisburg, PA 17105-3608	
DIMENSIONS: mm		CHK	S_Hilker	12NOV98		
		APVD	S_Hilker	12NOV98		
TOLERANCES UNLESS OTHERWISE SPECIFIED: 0 PLC ± 1 PLC ±0.5 2 PLC ±0.13 3 PLC ±0.013 4 PLC ±0.0001 ANGLES ± FINISH -		PRODUCT SPEC	NAME			CLEANING CONNECTOR ASSEMBLY LIGHTRAY MPX
MATERIAL	-	APPLICATION SPEC	-		RESTRICTED TO	
		WEIGHT	-		SIZE	A2
		CUSTOMER DRAWING	SCALE 8:1		CAGE CODE	00779
			SHEET 1 OF 1		DRAWING NO	1278386
			REV B			