



Chipsmall Limited consists of a professional team with an average of over 10 year of expertise in the distribution of electronic components. Based in Hongkong, we have already established firm and mutual-benefit business relationships with customers from,Europe,America and south Asia,supplying obsolete and hard-to-find components to meet their specific needs.

With the principle of “Quality Parts,Customers Priority,Honest Operation,and Considerate Service”,our business mainly focus on the distribution of electronic components. Line cards we deal with include Microchip,ALPS,ROHM,Xilinx,Pulse,ON,Everlight and Freescale. Main products comprise IC,Modules,Potentiometer,IC Socket,Relay,Connector.Our parts cover such applications as commercial,industrial, and automotives areas.

We are looking forward to setting up business relationship with you and hope to provide you with the best service and solution. Let us make a better world for our industry!



Contact us

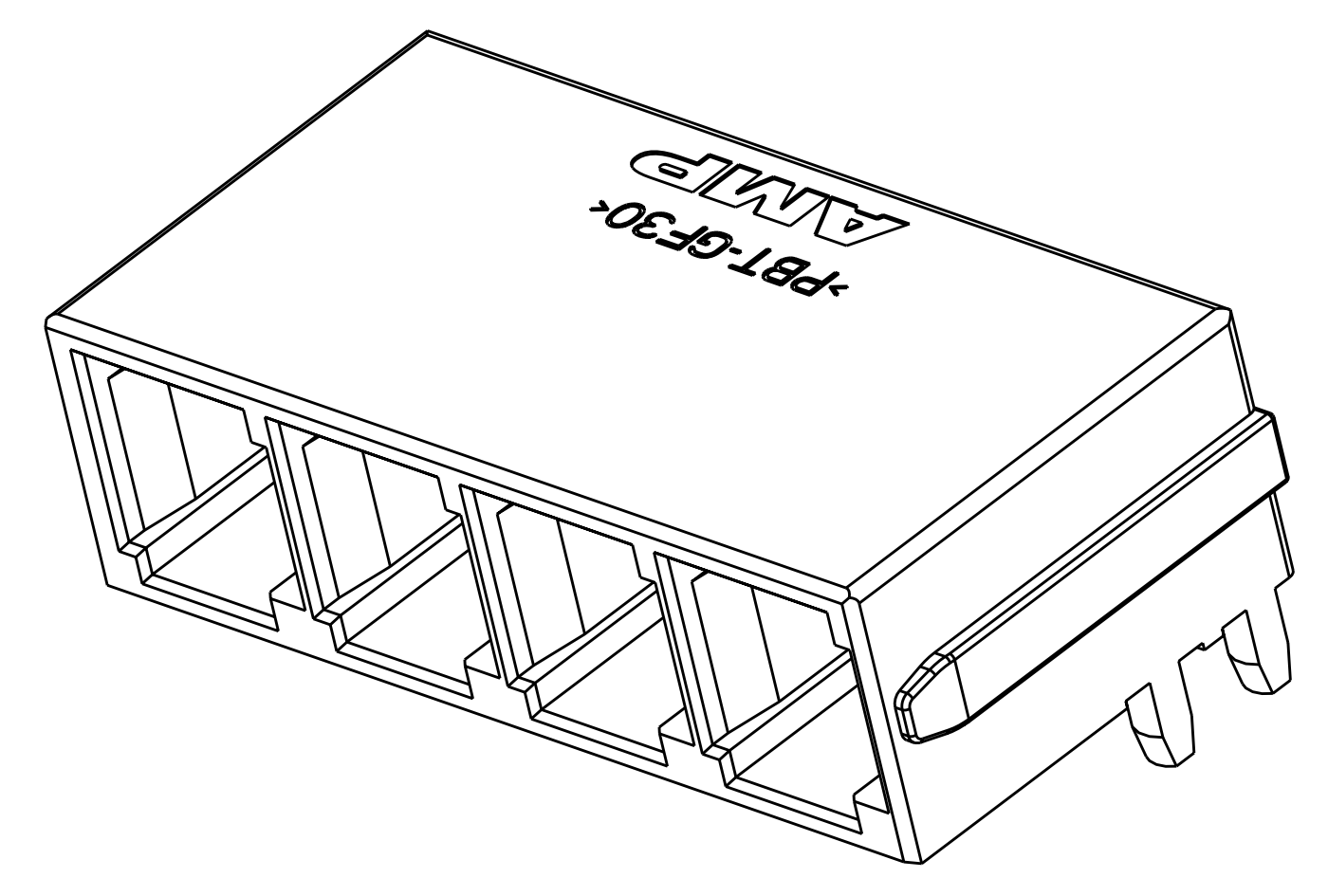
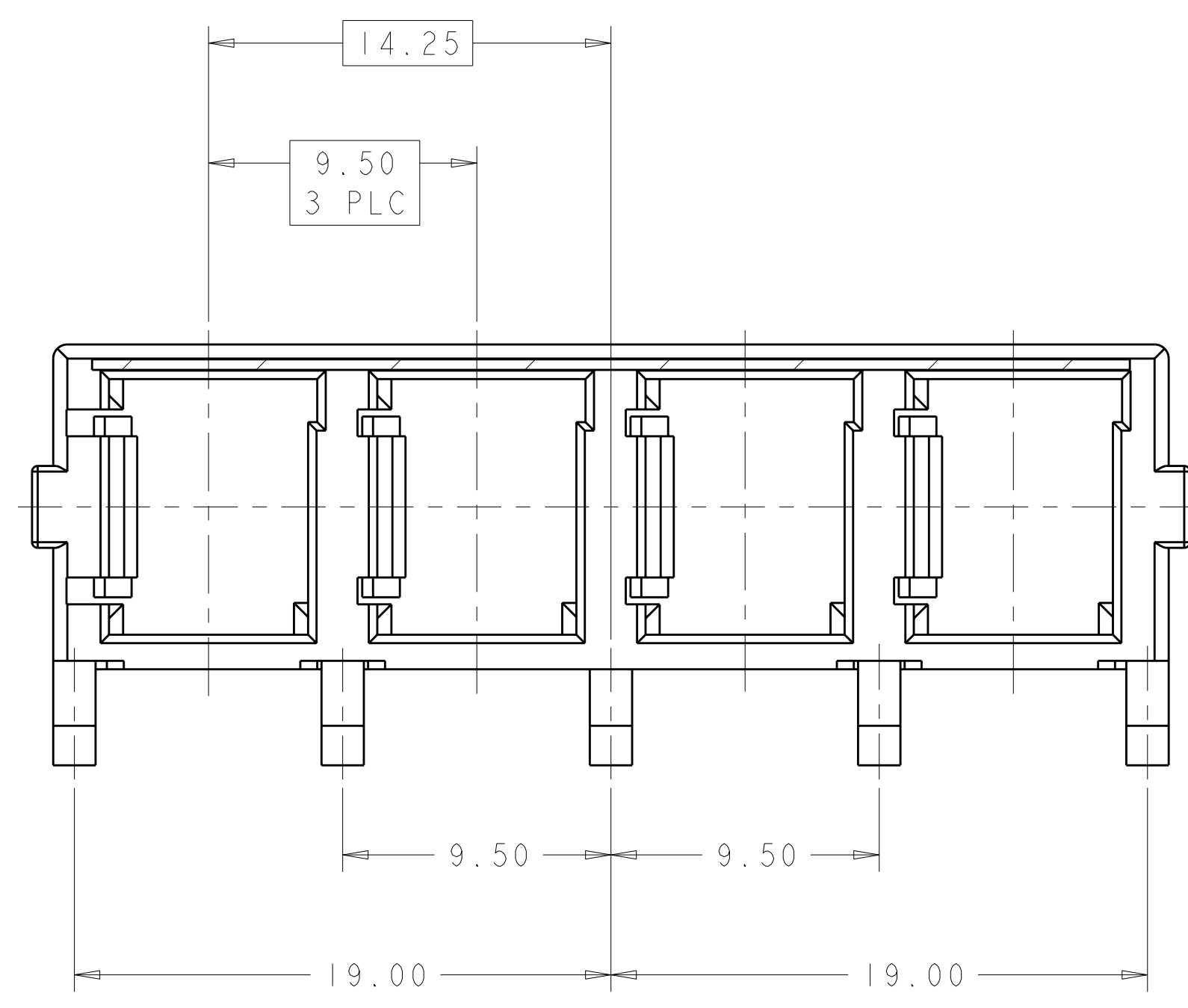
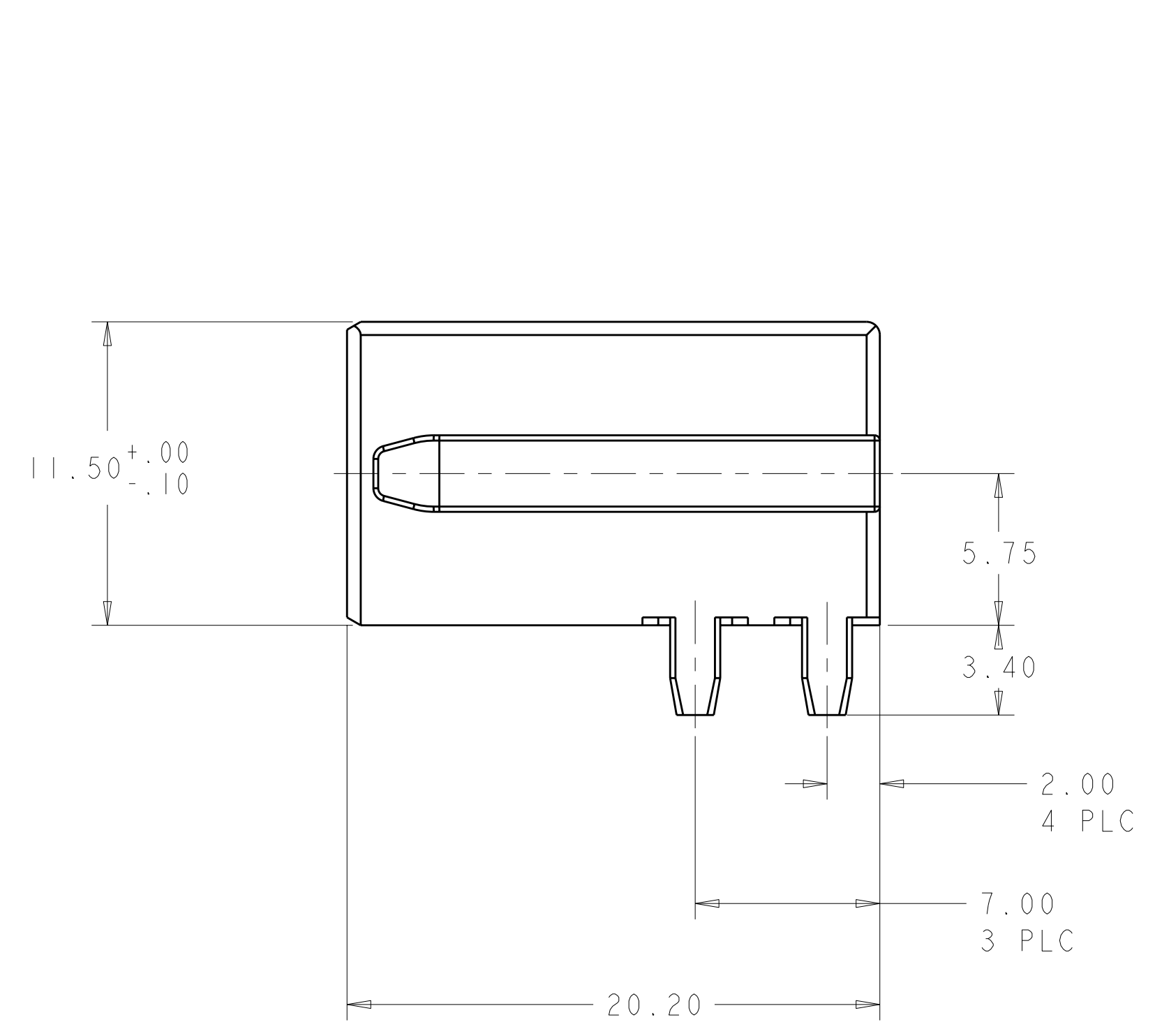
Tel: +86-755-8981 8866 Fax: +86-755-8427 6832

Email & Skype: info@chipsmall.com Web: www.chipsmall.com

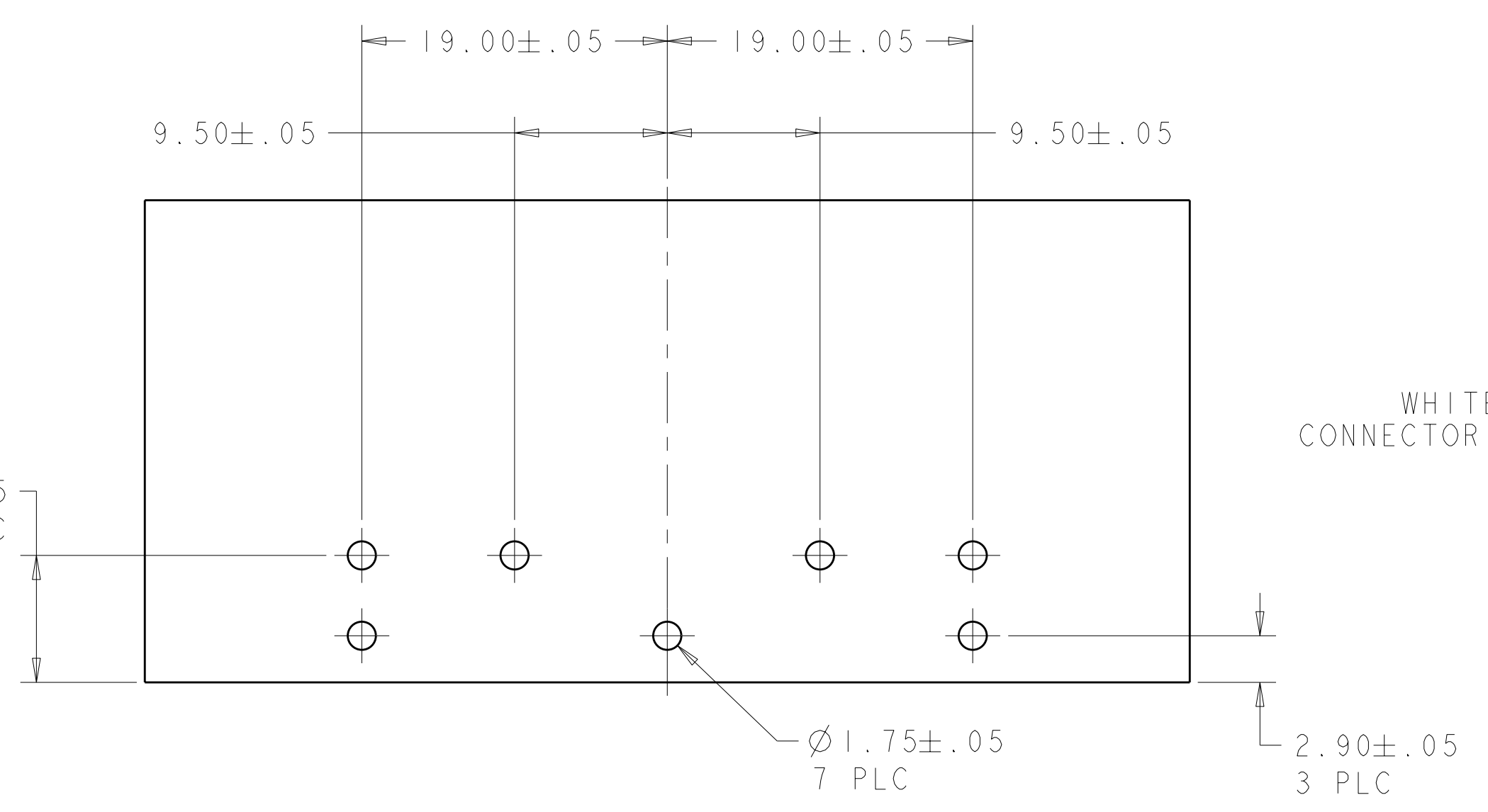
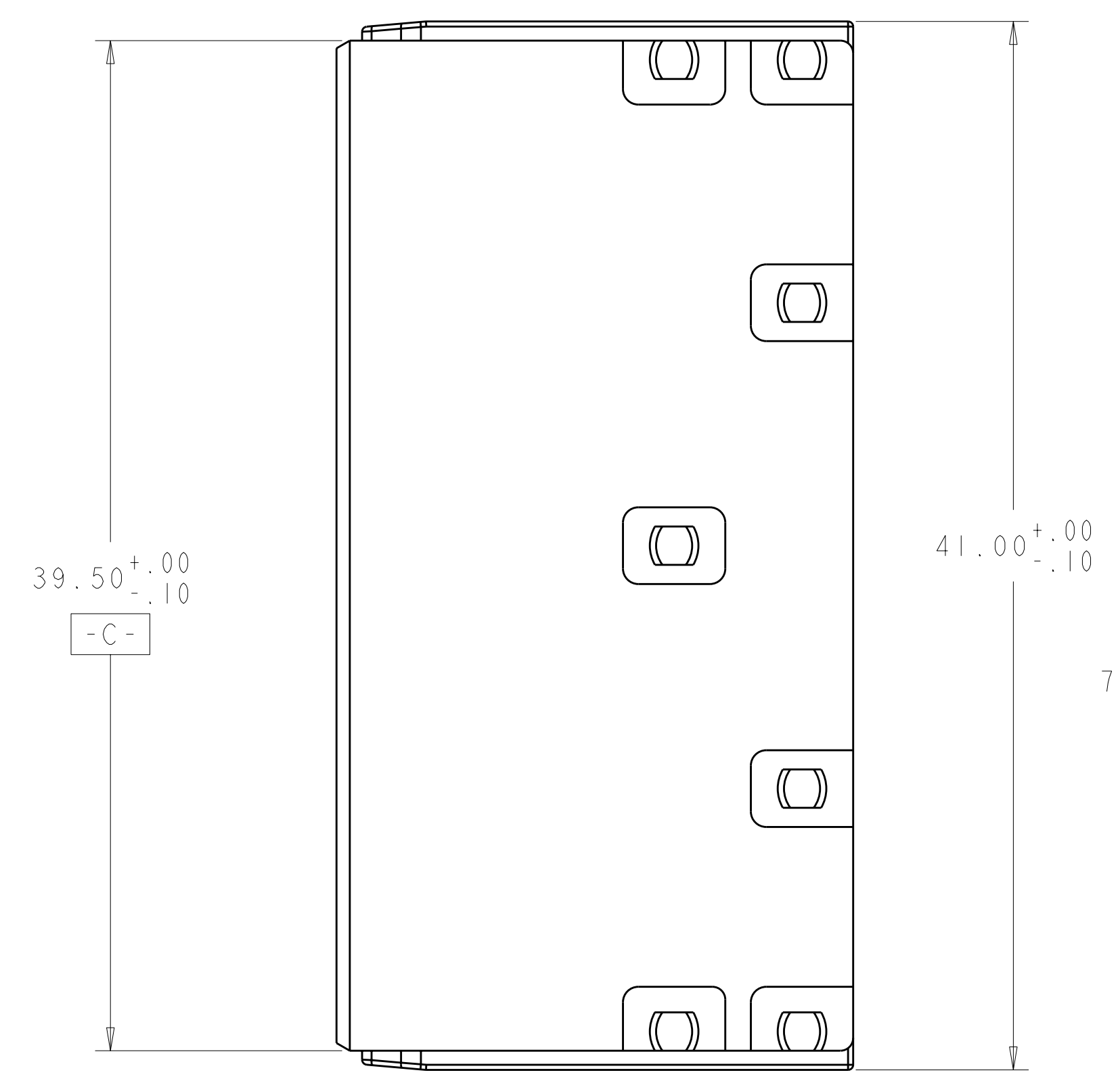
Address: A1208, Overseas Decoration Building, #122 Zhenhua RD., Futian, Shenzhen, China



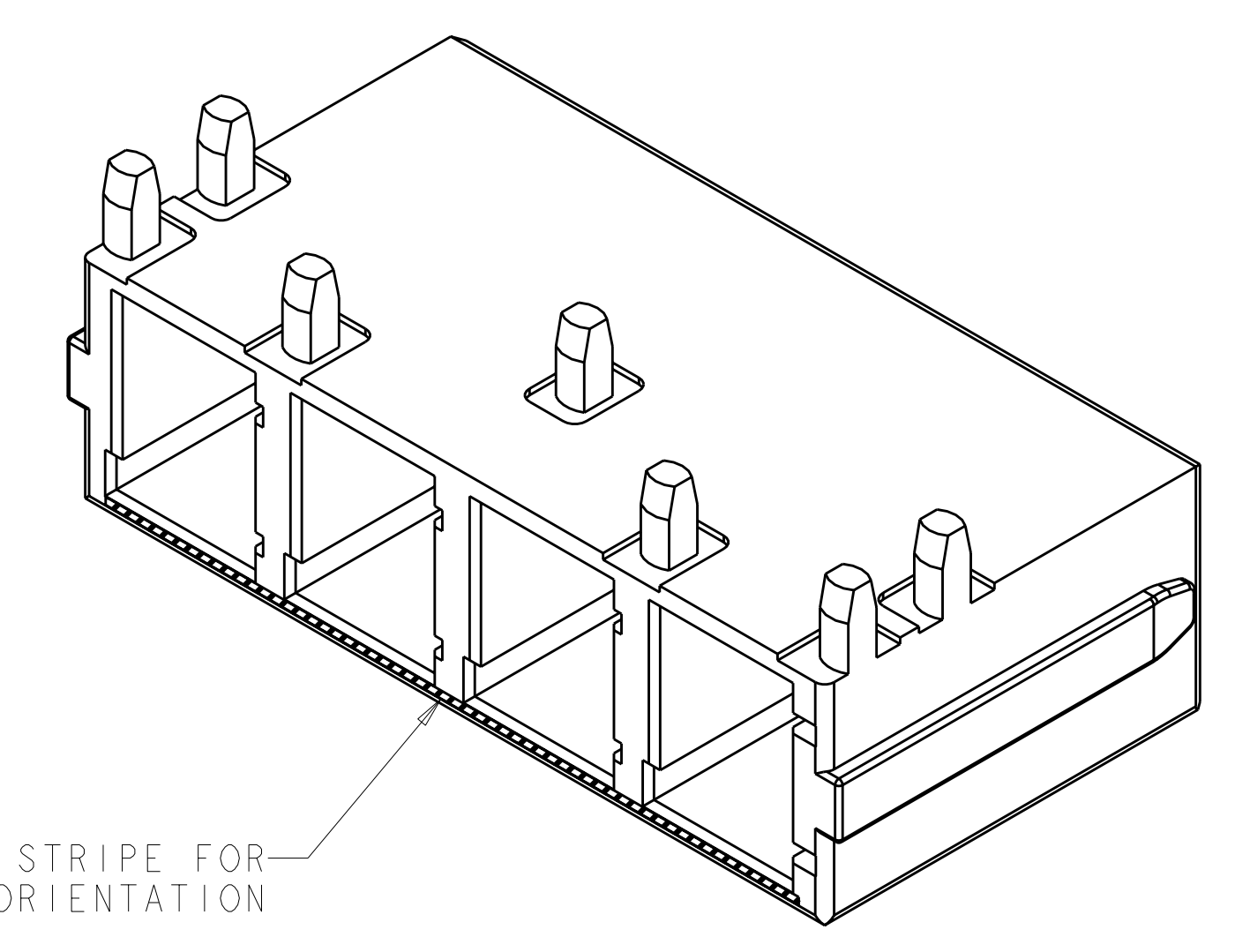
LOC	DIST	REV	DATE	DWN	APVD
CE	16	D	28 JUL 2008	EH	AP
		DESCRIPTION			
		REV PER ECR -08-018856			



SCALE 4:1



RECOMMENDED HOLE PATTERN
SCALE 3:1



WHITE STRIPE FOR CONNECTOR ORIENTATION

SCALE 4:1

MATERIAL: GLASS FILLED PBT,
COLOR: BLACK

1278391-1
PART NUMBER

DIMENSIONS: mm 		TOLERANCES UNLESS OTHERWISE SPECIFIED: 9 PLC ±0.3 1 PLC ±0.10 5 PLC ±0.001 4 PLC ±0.0001 ANGLES ±0.001		DWN E. Haley 22 JUN 99 CHK L. BARKUS 22 JUN 99 APVD L. BARKUS 22 JUN 99 PRODUCT SPEC APPLICATION SPEC WEIGHT CUSTOMER DRAWING		AMP Incorporated Harrisburg, PA 17105-3608 NAME SYSTEM BOARD HOUSING, 1X4 VERTICAL, LIGHTRAY MPX SIZE CAGE CODE DRAWING NO. RESTRICTED TO A11 00779 C=1278391 SCALE 5:1 SHEET 1 OF 1 REV D	
-----------------------	--	---	--	---	--	---	--