



Chipsmall Limited consists of a professional team with an average of over 10 year of expertise in the distribution of electronic components. Based in Hongkong, we have already established firm and mutual-benefit business relationships with customers from,Europe,America and south Asia,supplying obsolete and hard-to-find components to meet their specific needs.

With the principle of “Quality Parts,Customers Priority,Honest Operation,and Considerate Service”,our business mainly focus on the distribution of electronic components. Line cards we deal with include Microchip,ALPS,ROHM,Xilinx,Pulse,ON,Everlight and Freescale. Main products comprise IC,Modules,Potentiometer,IC Socket,Relay,Connector.Our parts cover such applications as commercial,industrial, and automotives areas.

We are looking forward to setting up business relationship with you and hope to provide you with the best service and solution. Let us make a better world for our industry!



Contact us

Tel: +86-755-8981 8866 Fax: +86-755-8427 6832

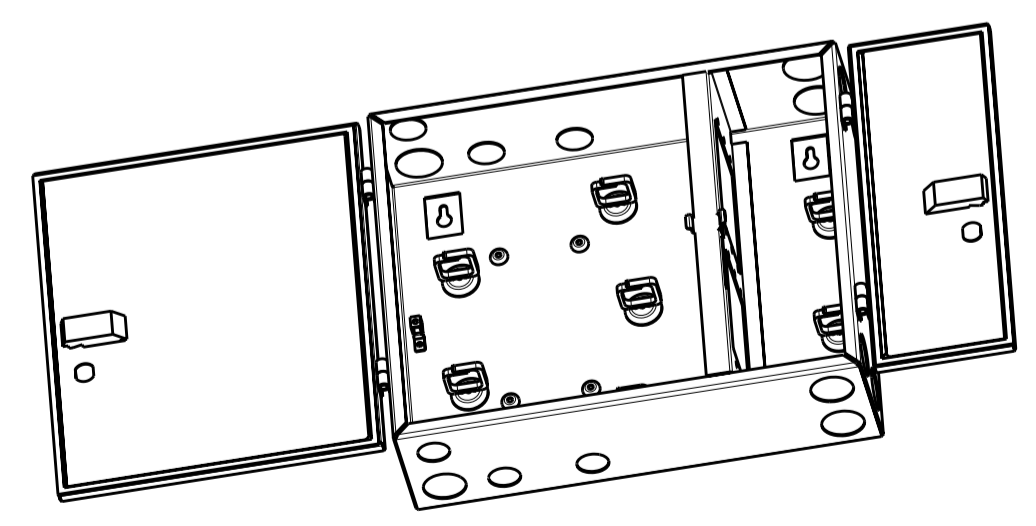
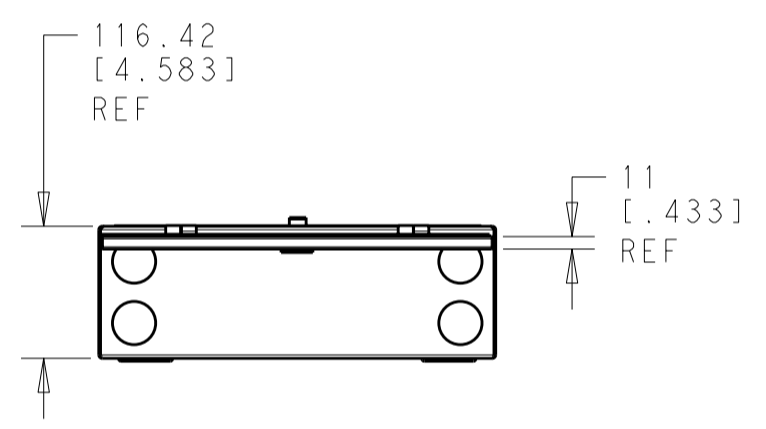
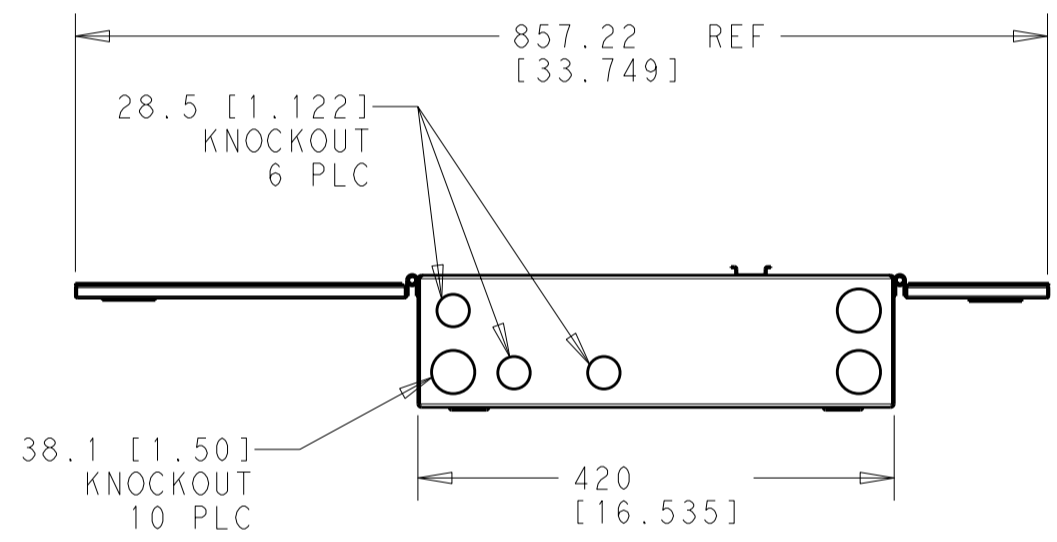
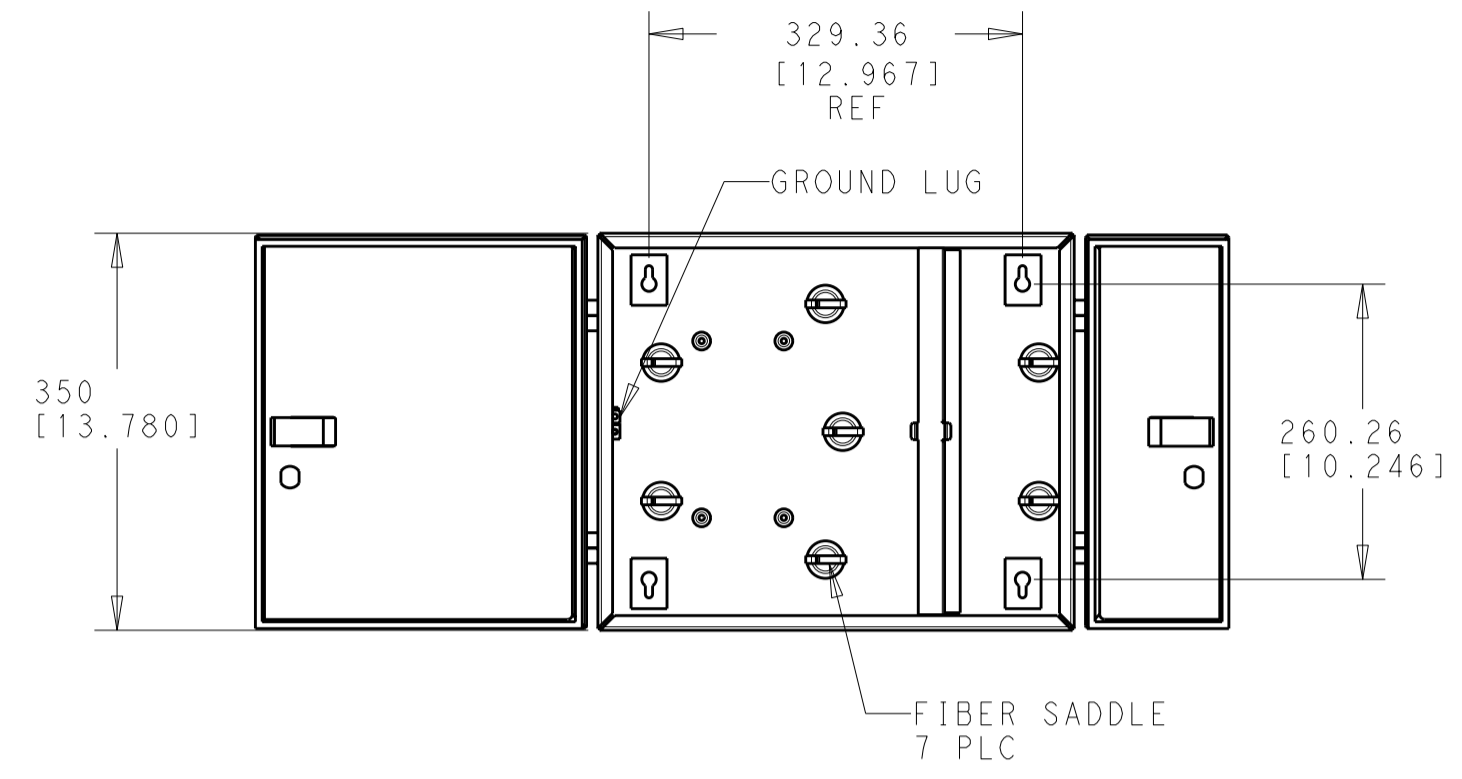
Email & Skype: info@chipsmall.com Web: www.chipsmall.com

Address: A1208, Overseas Decoration Building, #122 Zhenhua RD., Futian, Shenzhen, China



THIS DRAWING IS UNPUBLISHED. RELEASED FOR PUBLICATION 20
 © COPYRIGHT 20 BY - ALL RIGHTS RESERVED.

LOC		DIST		REVISIONS			
P	LTR	DESCRIPTION	DATE	DWN	APVD		
	B	OBSOLETE -3, ECO-11-016553	15AUG2011	LH	JS		



- THE FOLLOWING LABELS ARE PROVIDED:
 (1) LASER WARNING LABEL
 (4) 36/72 LINE LABEL
- ENCLOSURE WILL ACCEPT (6) SIX SNAP-IN ADAPTER PLATES.
- 1278755-3 INCLUDES THE FOLLOWING:
 (1) CABLE GLAND P/N 1374609-1. FITS 1.50"Ø KO. AND ACCEPTS .60"-1.00"Ø CABLE.
 (1) CABLE GLAND P/N 1374609-2. FITS 1.122"Ø KO. AND ACCEPTS .35"-.70"Ø CABLE.
 (2) GROMMETS P/N 1374608-1. FITS 1.50"Ø KO. MAX. 1.125"Ø OPENING.
- 1278755-4 INCLUDES THE FOLLOWING:
 (1) CABLE GLAND P/N 1374609-1. FITS 1.50"Ø KO. AND ACCEPTS .60"-1.00"Ø CABLE.
 (1) CABLE GLAND P/N 1374609-2. FITS 1.122"Ø KO. AND ACCEPTS .35"-.70"Ø CABLE.
 (2) GROMMETS P/N 1374608-1. FITS 1.50"Ø KO. MAX. 1.125"Ø OPENING.
 (1) SPLICE TRAY HOLDER KIT P/N 137419-1. (ACCEPTS UP TO 4 SPLICE TRAYS P/N 559433).

OBSOLETE	4	BLACK	1278755-4
	3	BLACK	1278755-3
	-	GRAY	1278755-2
	-	BLACK	1278755-1
ACCESSORIES		FINISH	PART NO.

THIS DRAWING IS A CONTROLLED DOCUMENT.		DWN T GREEN TOAPROO	TE Connectivity DB 36/72 CHASSIS ASSEMBLY			
DIMENSIONS: mm [INCHES]		CHK J HOFFER TOAPROO				
TOLERANCES UNLESS OTHERWISE SPECIFIED:		APVD D MCCLURE TOAPROO				
0 PLC ±0.3 1 PLC ±0.3 2 PLC ±0.3 3 PLC ± 4 PLC ± ANGLES ± FINISH ±		PRODUCT SPEC -	SIZE	CAGE CODE	DRAWING NO	RESTRICTED TO
MATERIAL 1.5mm STL SEE TABLE		APPLICATION SPEC -	A200779	C-1278755		
		WEIGHT -	SCALE 1:4		SHEET 1 OF 1	REV B