



Chipsmall Limited consists of a professional team with an average of over 10 year of expertise in the distribution of electronic components. Based in Hongkong, we have already established firm and mutual-benefit business relationships with customers from,Europe,America and south Asia,supplying obsolete and hard-to-find components to meet their specific needs.

With the principle of "Quality Parts,Customers Priority,Honest Operation,and Considerate Service",our business mainly focus on the distribution of electronic components. Line cards we deal with include Microchip,ALPS,ROHM,Xilinx,Pulse,ON,Everlight and Freescale. Main products comprise IC,Modules,Potentiometer,IC Socket,Relay,Connector.Our parts cover such applications as commercial,industrial, and automotives areas.

We are looking forward to setting up business relationship with you and hope to provide you with the best service and solution. Let us make a better world for our industry!



Contact us

Tel: +86-755-8981 8866 Fax: +86-755-8427 6832

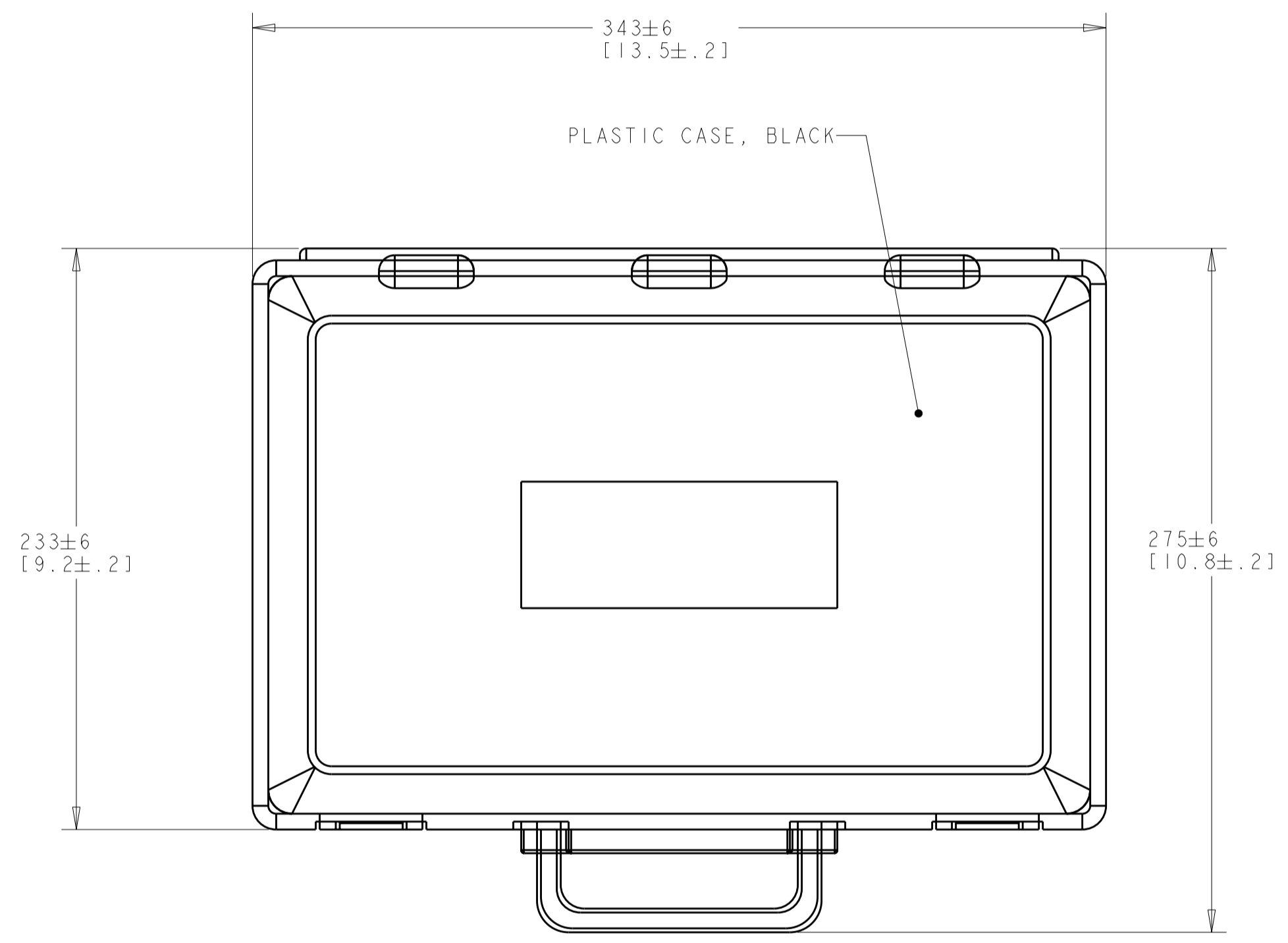
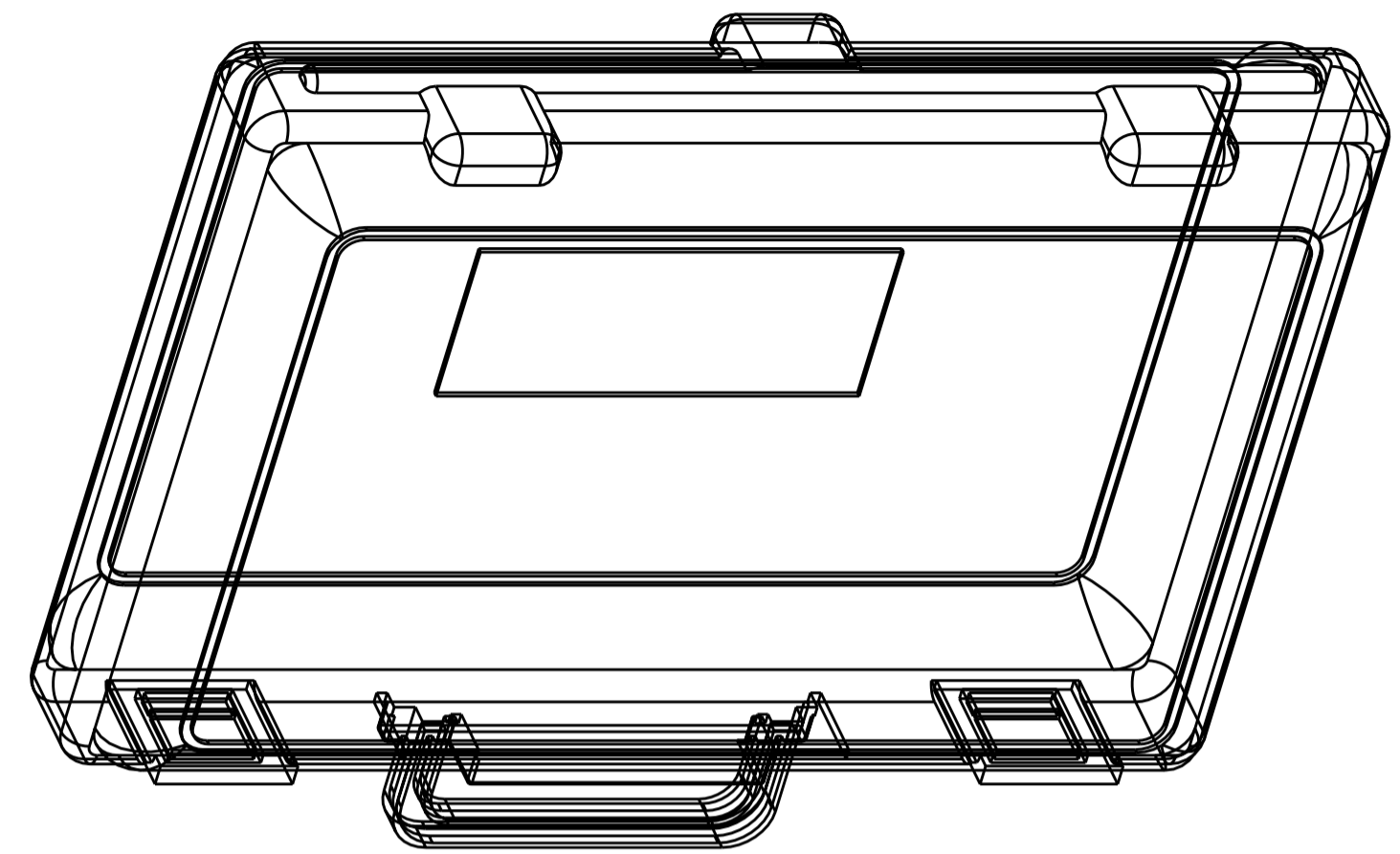
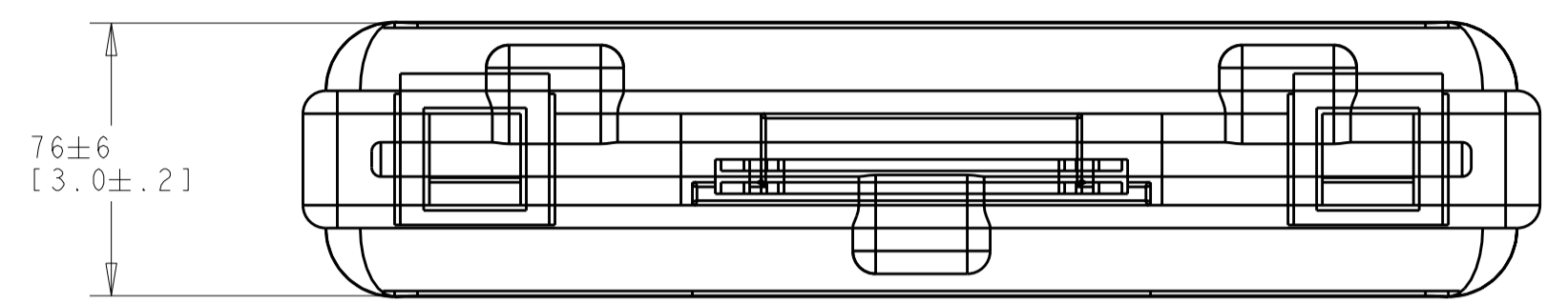
Email & Skype: info@chipsmall.com Web: www.chipsmall.com

Address: A1208, Overseas Decoration Building, #122 Zhenhua RD., Futian, Shenzhen, China



THIS DRAWING IS UNPUBLISHED. RELEASED FOR PUBLICATION .19
 © COPYRIGHT 19 BY AMP INCORPORATED. ALL RIGHTS RESERVED.

LOC	DIST	REVISIONS					
CE	00	F	LTR	DESCRIPTION	DATE	DWN	APVD
		A		REV PER 0B60-0031-01	04JUN2001	BB	DK
		B		REVISE PER 0A00-0138-01	13AUG2001	BB	DK
		C		REVISE PER ECR-06-014872	20JUN2006	BB	DK



- 1278861-1 INCLUDES MT-RJ ADAPTER (1), MT-RJ TO SC SIMPLEX CABLE ASSEMBLY (2), MT-RJ(PINS) TO SC SIMPLEX CABLE ASSEMBLY (1), MT-RJ TO MT-RJ CABLE ASSEMBLY (1), AND 50/125 MANDREL (2).
- 1278861-2 INCLUDES MT-RJ ADAPTER (1), MT-RJ TO ST SIMPLEX CABLE ASSEMBLY (2), MT-RJ(PINS) TO ST SIMPLEX CABLE ASSEMBLY (1), MT-RJ TO MT-RJ CABLE ASSEMBLY (1), AND 50/125 MANDREL (2).
- 1278861-3 INCLUDES MT-RJ TO MT-RJ CABLE ASSEMBLY (2), AND 50/125 MANDREL (2).
- 1278861-4 INCLUDES MT-RJ ADAPTER (1), MT-RJ (SECURE HOUSING) TO SC SIMPLEX CABLE ASSEMBLY (2), MT-RJ (PINS) TO SC SIMPLEX CABLE ASSEMBLY (1), MT-RJ (SECURE HOUSING) TO MT-RJ CABLE ASSEMBLY (1), AND 50/125 MANDREL (2).
- 1278861-5 INCLUDES MT-RJ ADAPTER (1), MT-RJ (SECURE HOUSING) TO ST SIMPLEX CABLE ASSEMBLY (2), MT-RJ (PINS) TO ST SIMPLEX CABLE ASSEMBLY (1), MT-RJ (SECURE HOUSING) TO MT-RJ CABLE ASSEMBLY (1), 50/125 MANDREL (2).
- 1278861-6 INCLUDES MT-RJ (SECURE HOUSING) TO MT-RJ CABLE ASSEMBLY (2), AND 50/125 MANDREL (2).

TEST EQUIPMENT CONNECTION	PART NUMBER
MT-RJ	1278861-6
ST SIMPLEX	1278861-5
SC SIMPLEX	1278861-4
MT-RJ	1278861-3
ST SIMPLEX	1278861-2
SC SIMPLEX	1278861-1

THIS DRAWING IS A CONTROLLED DOCUMENT FOR AMP INCORPORATED. IT IS SUBJECT TO CHANGE AND THE CONTROLLING ENGINEERING ORGANIZATION SHOULD BE CONTACTED FOR THE LATEST REVISION.		DWN D. PULEO 22SEP99 CHK R. GALLAGHER 22SEP99 APVD B. EDWARDS 22SEP99	AMP AMP Incorporated Harrisburg, PA 17105-3608
DIMENSIONS: mm [INCHES]	TOLERANCES UNLESS OTHERWISE SPECIFIED: 0 PLC ± 1 PLC ± 2 PLC ± 3 PLC ± 4 PLC ± ANGLES ± FINISH -	PRODUCT SPEC - APPLICATION SPEC - WEIGHT -	NAME MT-RJ TEST CABLE KIT, 50/125um SIZE A2 CAGE CODE 00779 DRAWING NO 1278861
MATERIAL -		CUSTOMER DRAWING	SCALE NTS SHEET 1 OF 1 REV C