



Chipsmall Limited consists of a professional team with an average of over 10 year of expertise in the distribution of electronic components. Based in Hongkong, we have already established firm and mutual-benefit business relationships with customers from,Europe,America and south Asia,supplying obsolete and hard-to-find components to meet their specific needs.

With the principle of “Quality Parts,Customers Priority,Honest Operation,and Considerate Service”,our business mainly focus on the distribution of electronic components. Line cards we deal with include Microchip,ALPS,ROHM,Xilinx,Pulse,ON,Everlight and Freescale. Main products comprise IC,Modules,Potentiometer,IC Socket,Relay,Connector.Our parts cover such applications as commercial,industrial, and automotives areas.

We are looking forward to setting up business relationship with you and hope to provide you with the best service and solution. Let us make a better world for our industry!



## Contact us

Tel: +86-755-8981 8866 Fax: +86-755-8427 6832

Email & Skype: info@chipsmall.com Web: www.chipsmall.com

Address: A1208, Overseas Decoration Building, #122 Zhenhua RD., Futian, Shenzhen, China





### WEIGHT

1.29g/cm (.116 oz/in)

### RECOMMENDED TORQUE

17.7 N-cm (25 in-oz)

### MATERIALS AND FINISH

#### HOUSING

##### Material:

.025-in. (.64-mm) thick  
Beryllium Copper per QQ-C-533

##### Finish:

See finish table on opposite page

#### CAM

##### Material:

Beryllium Copper per QQ-C-533

##### Finish:

See finish table on opposite page

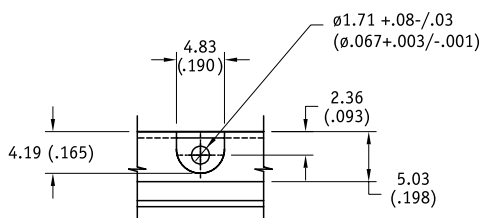
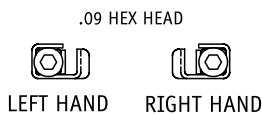
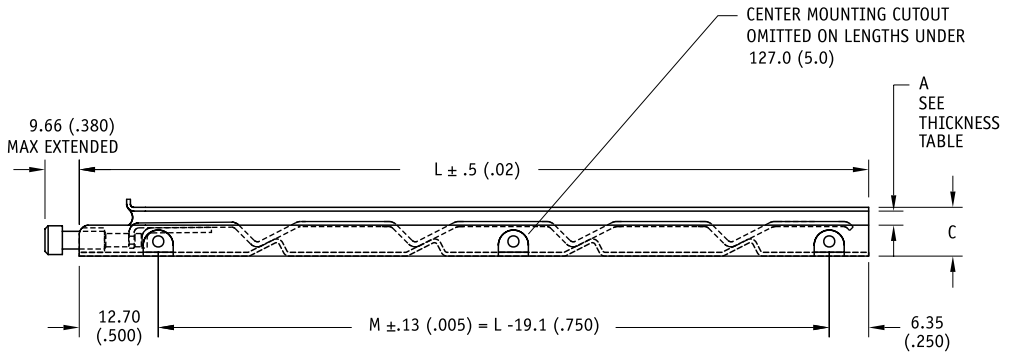
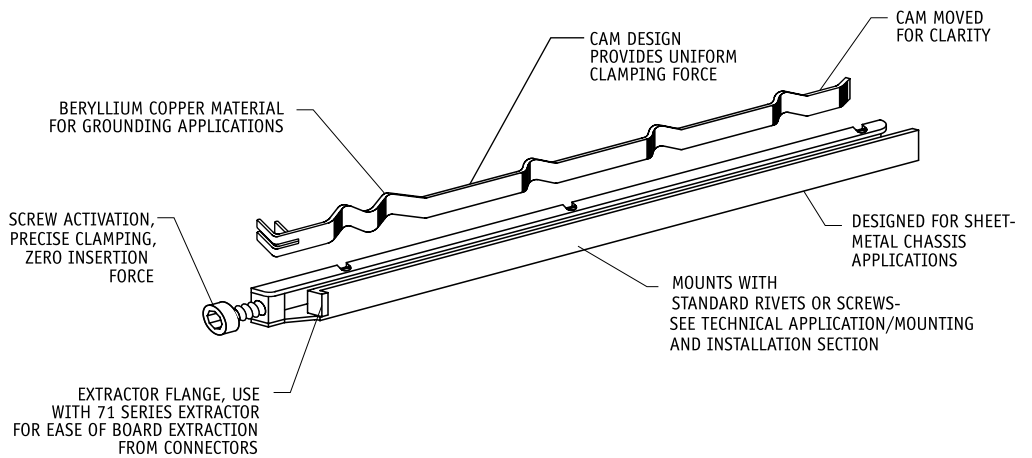
#### SCREW

##### Material:

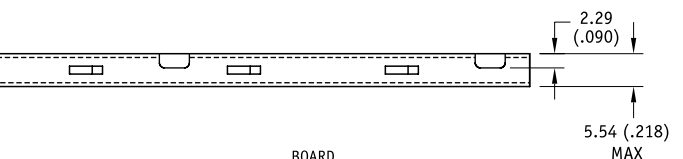
Stainless steel

##### Finish:

Passivated



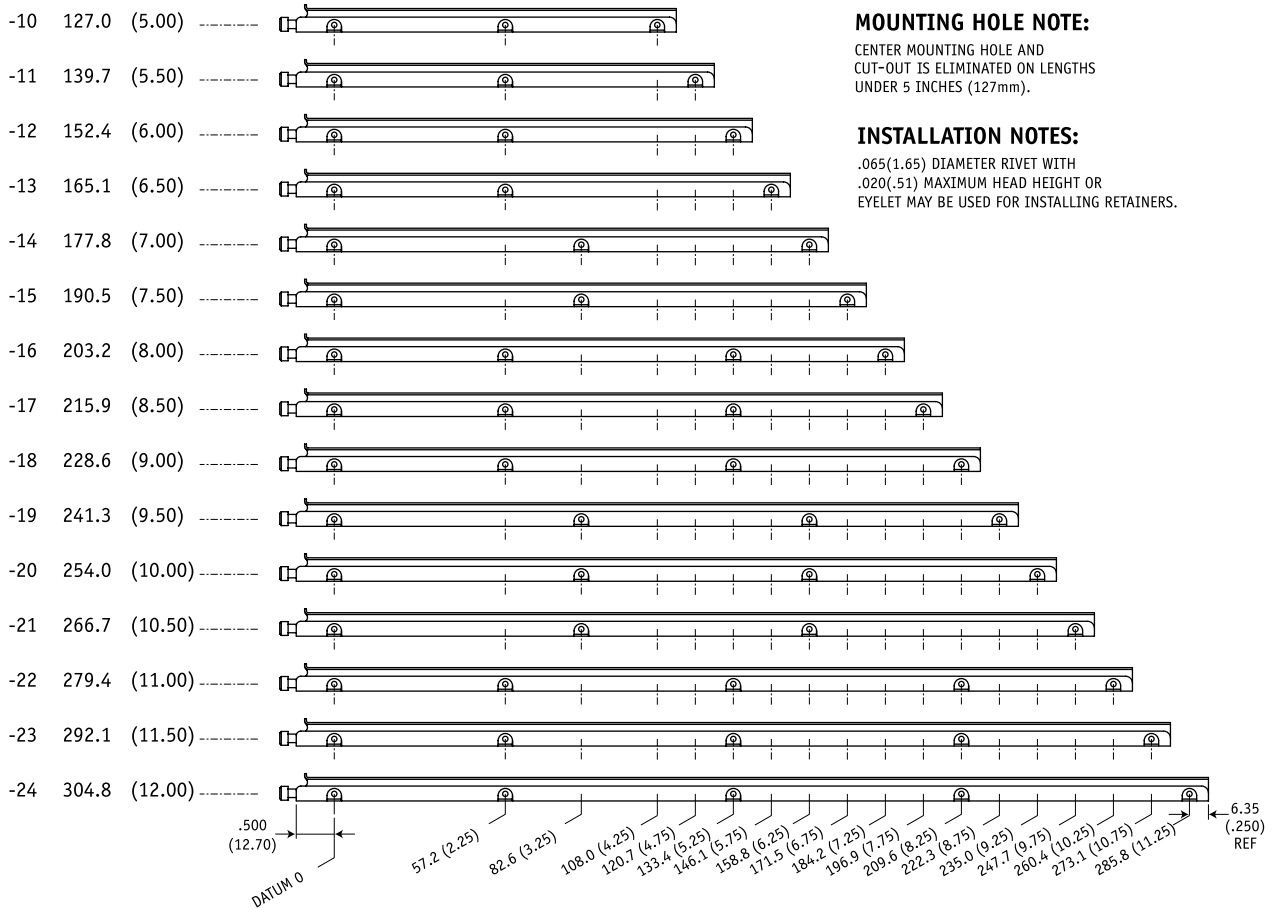
MOUNTING HOLE DETAIL



71 SERIES EXTRACTOR  
OPTIONAL/NOT TO SCALE

Units: mm(in)  
unless specified otherwise,  
.xx = ± .25, .x = ± .5  
(.xxx = ±.010, .xx = ± .02)

## MOUNTING HOLE DIMENSIONS



### MOUNTING HOLE NOTE:

CENTER MOUNTING HOLE AND CUT-OUT IS ELIMINATED ON LENGTHS UNDER 5 INCHES (127mm).

### INSTALLATION NOTES:

.065(1.65) DIAMETER RIVET WITH .020(.51) MAXIMUM HEAD HEIGHT OR EYELET MAY BE USED FOR INSTALLING RETAINERS.

Note: -6 [76.2 (3.00)] to -9 [114.3 (4.50)], mounting hole dims as per 12.70 (.500) datum and 6.35 (.250) Ref as noted above.

### Part Number Code

Series 127 LOK-TAINER Screw-Actuated **127 - B - 2 - 10 - 5 - L**

#### Material

Beryllium Copper **B**  
or select from Materials Table

#### Board Thickness

1.60 (.063) PCB Thickness **2**  
or select from Board Thickness Table

#### Length

Length in 12.7 (.50) increments **6** [76.2 (3.00)]  
to 24 [304.8 (12.00)]

#### Finish

Gold Plate **5**  
or select from Finish Table

#### Screw Action

Left hand **L**  
Right hand **R**

### Part Number Code example: 127B-4-12-6-R

Series 127 Screw-actuated LOK-TAINER, Beryllium Copper housing with flange, 152.4-mm (6.00-in.) long, Nickel plate finish, and right hand screw action.

## MATERIALS TABLE

### CODE

#### LETTER

**B** BERYLLIUM COPPER, 1/4H PER ASTM-B-194  
**S** STEEL PER ASTM-A-366

## BOARD THICKNESS TABLE

DASH #	BOARD THICKNESS		
	A MIN	A MAX	C
-2	.025 (0.64)	.070 (1.78)	.309 (7.85)
-4	.087 (2.21)	.132 (3.36)	.376 (9.55)

## FINISH TABLE

### DASH #

[blank] SILVER PLATE PER QQ-S-365, TYPE III, GRADE A  
-1 NONE  
-2 EBANOL PER MIL-F-495 FOR BERYLLIUM COPPER PER MIL-C-13924 FOR STEEL  
-3 CADMIUM PER QQ-P-416, TYPE 2, CLASS 2  
-4 COPPER PLATE PER MIL-C-14550, CLASS 2  
-5 GOLD PLATE PER MIL-G-45204, TYPE 1, GLASS 1  
-6 NICKEL PLATE PER QQ-N-290, CLASS 1, GRADE G, BRIGHT  
-7 ZINC PLATE CLEAR CHROMATE, PER ASTM-B-633, Fe/Zn 8  
-8 ZINC PLATE YELLOW CHROMATE, PER ASTM-B-633, Fe/Zn 8  
NOTE: NO FINISH (-1) NOT AVAILBLE WITH "S" STEEL MATERIAL