



Chipsmall Limited consists of a professional team with an average of over 10 year of expertise in the distribution of electronic components. Based in Hongkong, we have already established firm and mutual-benefit business relationships with customers from,Europe,America and south Asia,supplying obsolete and hard-to-find components to meet their specific needs.

With the principle of "Quality Parts,Customers Priority,Honest Operation,and Considerate Service",our business mainly focus on the distribution of electronic components. Line cards we deal with include Microchip,ALPS,ROHM,Xilinx,Pulse,ON,Everlight and Freescale. Main products comprise IC,Modules,Potentiometer,IC Socket,Relay,Connector.Our parts cover such applications as commercial,industrial, and automotives areas.

We are looking forward to setting up business relationship with you and hope to provide you with the best service and solution. Let us make a better world for our industry!



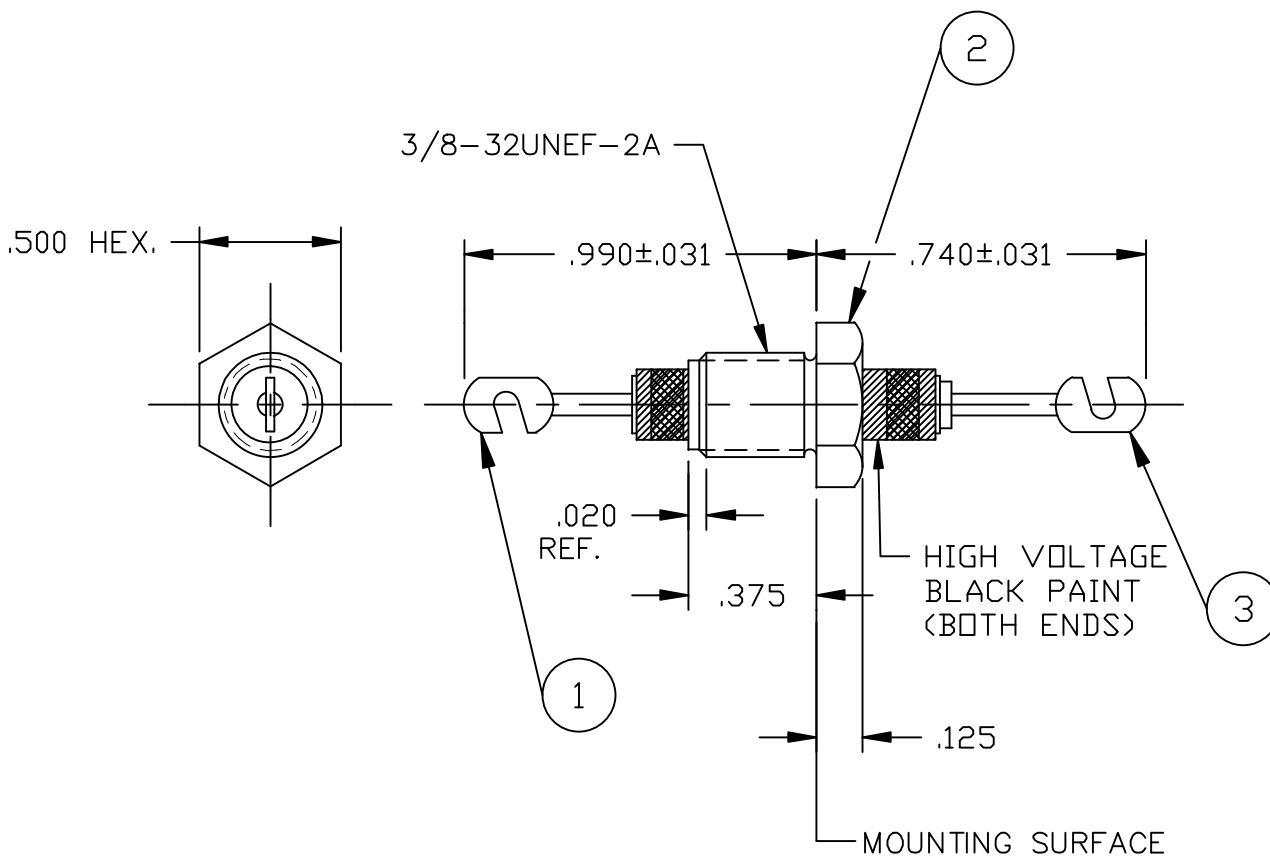
Contact us

Tel: +86-755-8981 8866 Fax: +86-755-8427 6832

Email & Skype: info@chipsmall.com Web: www.chipsmall.com

Address: A1208, Overseas Decoration Building, #122 Zhenhua RD., Futian, Shenzhen, China

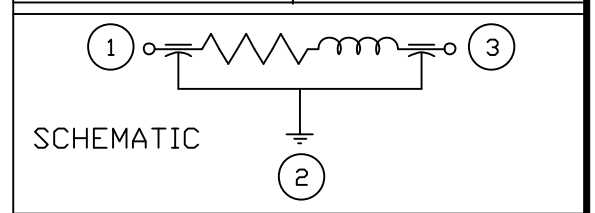




NOTES:

1. SUGGESTED MOUNTING HOLE = ϕ .386
2. HARDWARE IS INCLUDED.

TERMINAL FINISH:	SOLDER
BUSHING FINISH:	SILVER
CAPACITANCE	1500pF
TEMP. RANGE	-55°C TO 125°C
CURRENT	25 AMP MAX.
WORKING VOLTAGE	125VAC/400 Hz ^{GB} 125°C: 2500VDC MAX.
D.C. RESISTANCE	.01ohms MAX.
MIN. I.L. PER MIL-STD-220 AT 25°C NO LOAD	
FREQ. MHz	I.L. (db)
1	--
10	5
100	50
1 GHz	50
10 GHz	50



MARKING:
 PART: SCI 1280-060 2500VDC
 PACKAGE:
 SCI
 1280-060
 DATE CODE
 LOT NO.
 QTY./PACK
 (BUBBLE PACK) NOTE: SILVER PAPER TO COVER ALL UNITS.

	8	7	6	5	4	REV. NO.	TOLERANCES UNLESS OTHERWISE SPECIFIED
	cn 40128-ENG	cn 207017	cn 184551	CN. 177404	CN. 163020	CHANGE NOTICE	Fractions \pm 1/64
							Dec. .xx \pm
							Dec. .xxx \pm .010
							Angles \pm 0° 30'
							CODE IDENT. NO. 0LSP2

SPECTRUM CONTROL INC.

FAIRVIEW PENNSYLVANIA

Dwn. KAUFFMAN	Description Pi
Ckd. 5/7/02	HIGH VOLTAGE FILTER
Apvd.	1280-060
Scale NONE	