



Chipsmall Limited consists of a professional team with an average of over 10 year of expertise in the distribution of electronic components. Based in Hongkong, we have already established firm and mutual-benefit business relationships with customers from,Europe,America and south Asia,supplying obsolete and hard-to-find components to meet their specific needs.

With the principle of “Quality Parts,Customers Priority,Honest Operation,and Considerate Service”,our business mainly focus on the distribution of electronic components. Line cards we deal with include Microchip,ALPS,ROHM,Xilinx,Pulse,ON,Everlight and Freescale. Main products comprise IC,Modules,Potentiometer,IC Socket,Relay,Connector.Our parts cover such applications as commercial,industrial, and automotives areas.

We are looking forward to setting up business relationship with you and hope to provide you with the best service and solution. Let us make a better world for our industry!



Contact us

Tel: +86-755-8981 8866 Fax: +86-755-8427 6832

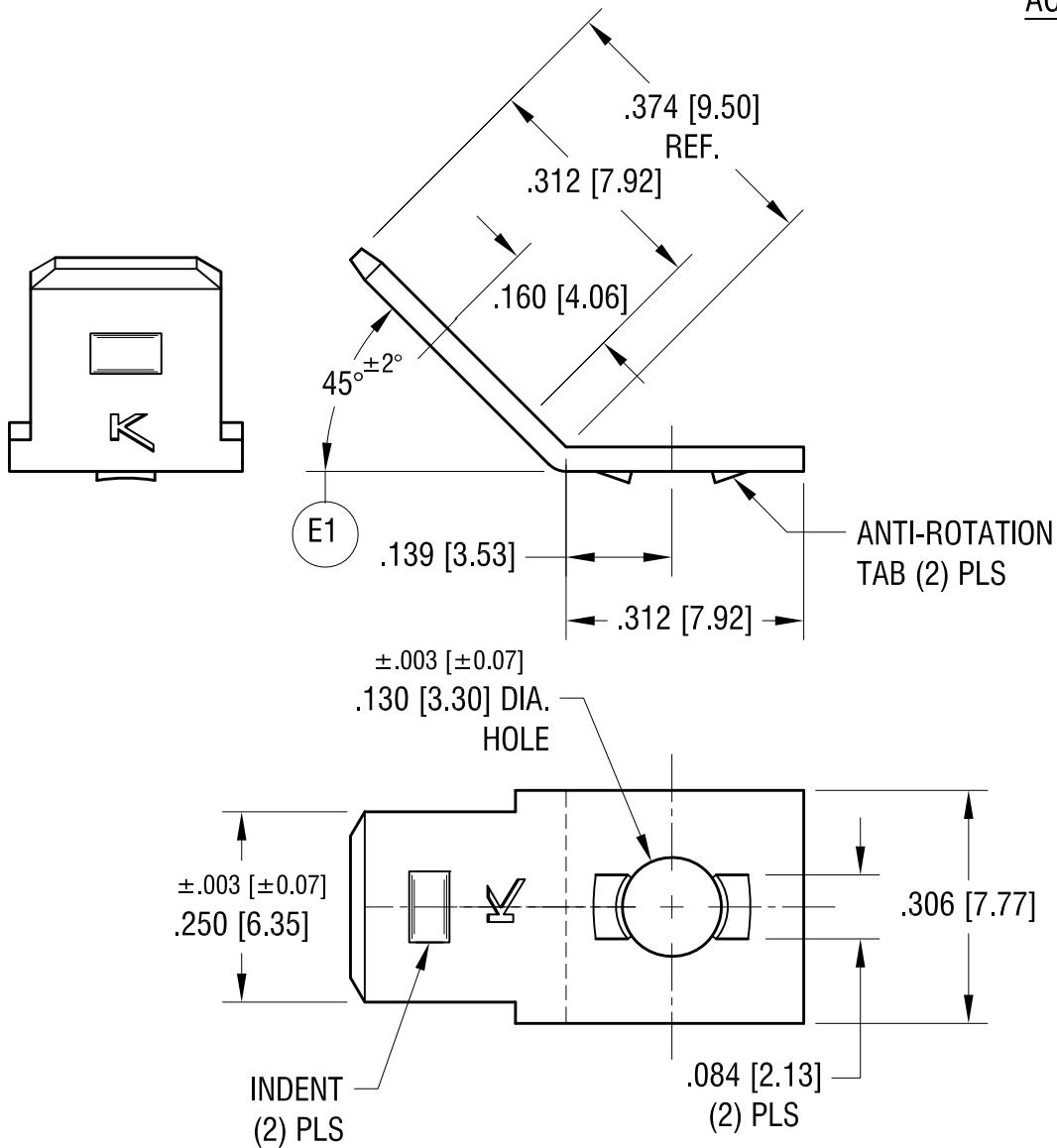
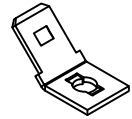
Email & Skype: info@chipsmall.com Web: www.chipsmall.com

Address: A1208, Overseas Decoration Building, #122 Zhenhua RD., Futian, Shenzhen, China



THIS DOCUMENT IS THE PROPERTY OF
KEYSTONE ELECTRONICS CORP. AND
SHALL NOT BE REPRODUCED, DISTRIBUTED
OR USED AS A BASIS FOR MANUFACTURE
WITHOUT PRIOR WRITTEN PERMISSION
FROM KEYSTONE ELECTRONICS CORP.

ACTUAL SIZE



1.12.17	Ⓔ WAS 45°±1° CHANGE AS PER ECN 17-007	E
1.27.16	CHANGE AS PER ECN 16-014	D
8.21.12	CHANGE AS PER ECN 12-112	C
9.15.03	CHANGE AS PER ECN 03-068	B
DATE	DESCRIPTION	REV.

KEYSTONE ELECTRONICS CORP.			
www.keyelco.com • ASTORIA, N.Y. 11105-2017 • Tel (718) 956-8900			
PART NAME		.250 QUICK-FIT TERMINAL	
MATERIAL		.032 [0.81] TH'K BRASS	
FINISH		DRN BY	DATE
BRIGHT BRASS		BOONE	8.9.93
		APP'D	SCALE
TOLERANCES INCH [MM] DECIMAL ±.005 [±0.13] ANGULAR ± 1° UNLESS OTHERWISE SPECIFIED		LN	4X
		CODE	DWG NO.
		C	1280