



Chipsmall Limited consists of a professional team with an average of over 10 year of expertise in the distribution of electronic components. Based in Hongkong, we have already established firm and mutual-benefit business relationships with customers from,Europe,America and south Asia,supplying obsolete and hard-to-find components to meet their specific needs.

With the principle of "Quality Parts,Customers Priority,Honest Operation,and Considerate Service",our business mainly focus on the distribution of electronic components. Line cards we deal with include Microchip,ALPS,ROHM,Xilinx,Pulse,ON,Everlight and Freescale. Main products comprise IC,Modules,Potentiometer,IC Socket,Relay,Connector.Our parts cover such applications as commercial,industrial, and automotives areas.

We are looking forward to setting up business relationship with you and hope to provide you with the best service and solution. Let us make a better world for our industry!



## Contact us

Tel: +86-755-8981 8866 Fax: +86-755-8427 6832

Email & Skype: info@chipsmall.com Web: www.chipsmall.com

Address: A1208, Overseas Decoration Building, #122 Zhenhua RD., Futian, Shenzhen, China



# PRODUCT DATA DRAWING

|                       |                         |                       |
|-----------------------|-------------------------|-----------------------|
| CAD GENERATED DRAWING | DCN CONTROLLED DOCUMENT | DWG. NO.<br>1285-6003 |
|-----------------------|-------------------------|-----------------------|

## MATERIAL :

BODY: STAINLESS STEEL PER AMS-5640  
 CONTACT: BERYLLIUM COPPER PER ASTM B196  
 INSULATOR: TEFLON PER ASTM D1710

## FINISH :

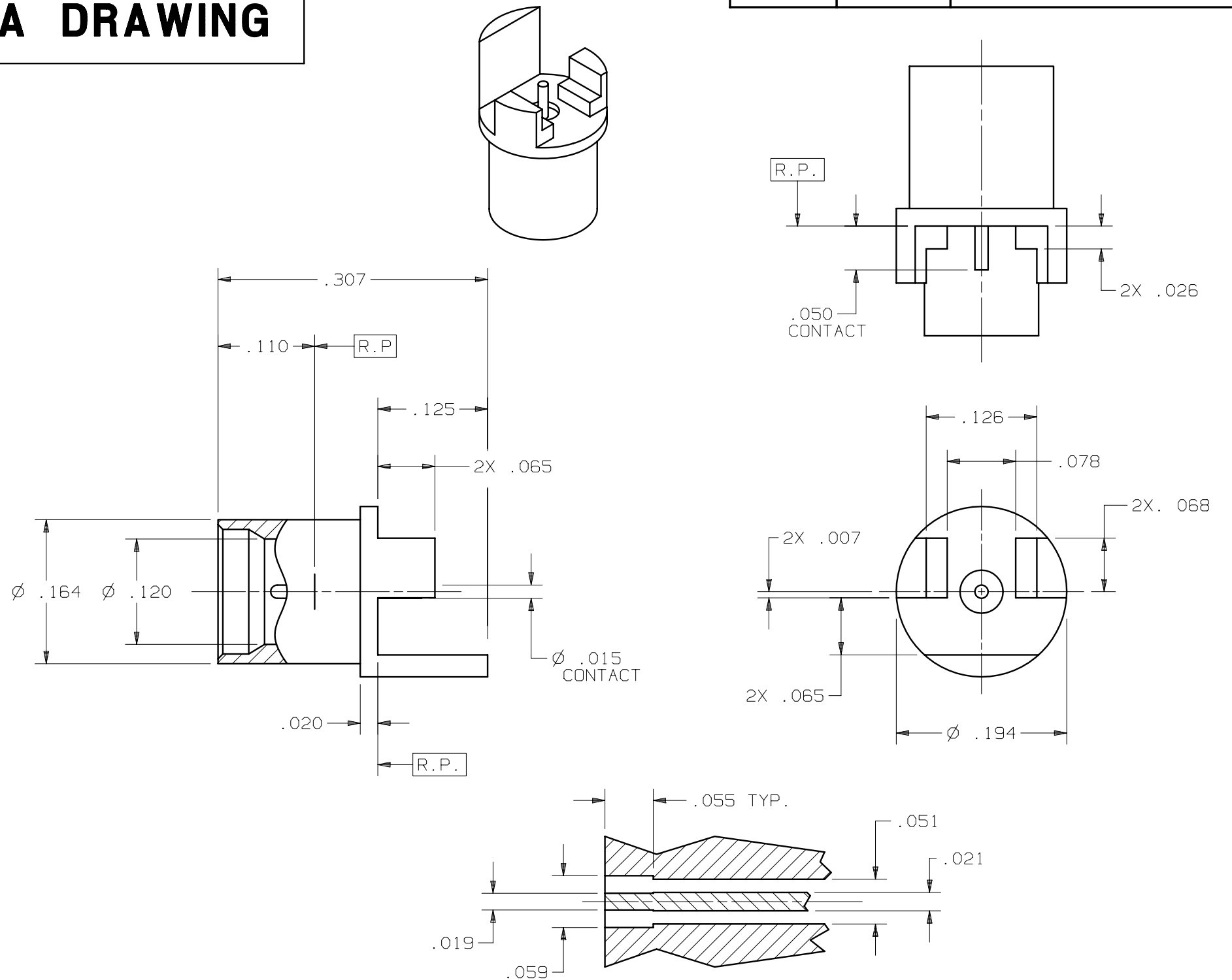
BODY & CONTACT: GOLD PER ASTM B488 OVER NICKEL PER AMS-QQ-N-290

## PERFORMANCE :

IMPEDANCE: 50 OHMS  
 FREQ. RANGE: DC-18.0 GHz  
 R.F. INSERTION LOSS: 0.1dB MAX TO 18.0 GHz  
 VSWR: 1.15:1 MAX. TO 18.0 GHz

## GENERAL :

SMP MALE INTERFACE DIMENSIONS PER MIL-STD-348



**RECOMMENDED PCB MOUNT**

## NOTES:

- FOR RECOMMENDED FOOTPRINT TO YOUR SPECIFIC PCB, CONTACT SV MICROWAVE SALES DEPARTMENT (sales@svmicro.com, 561-840-1800).

| SYM. | DESCRIPTION   | DATE  | APPR. | UNLESS OTHERWISE SPECIFIED:<br>1) ALL DIMENSIONS ARE AFTER PLATING.<br>2) BREAK CORNERS & EDGES .005 R. MAX.<br>3) CHAM. 1s1 & LAST THDS.<br>4) SURFACE ROUGHNESS 63 / MIL-STD-10.<br>5) DIAS. ON COMMON CENTERS TO BE CONCENTRIC WITHIN .005 T.I.R.<br>6) REMOVE ALL BURRS. | DIMENSIONS ARE IN INCHES<br>TOLERANCES: |                                  |   | SV Microwave, Inc.<br>2400 Centrepark West Drive, Suite 100<br>West Palm Beach, FL 33409 |
|------|---------------|-------|-------|--|---|----------------------------------|---|--|
|      |               |       |       | DECIMALS<br>.X N/A<br>.XX N/A<br>.XXX N/A  | FRACTIONAL<br>±1/64                     | ANGULAR<br>X° ±1'0"<br>X°X' ±15" | TITLE:<br>SMP MALE STRAIGHT<br>PCB EDGE MOUNT<br>(LIMITED DETENT) |  |
| -    | REL.DCN 31992 | 08/04 | BRT   |  | MATERIAL: SEE ABOVE                     | □" AREA:<br>N/A                  | DWG. NO.<br>1285-6003   |  |
|      |               |       |       | DRAWN: BRT 08/24/04  | FINISH: SEE ABOVE                       |                                  |   |  |
|      |               |       |       | CHECKED: BRT 08/24/04  | SIZE<br>B                               | CAGE NO.<br>95077                | SCALE<br>7X   |  |
|      |               |       |       | APPROVED: BRT 08/24/04   |   |                                  |   |  |