



Chipsmall Limited consists of a professional team with an average of over 10 year of expertise in the distribution of electronic components. Based in Hongkong, we have already established firm and mutual-benefit business relationships with customers from,Europe,America and south Asia,supplying obsolete and hard-to-find components to meet their specific needs.

With the principle of “Quality Parts,Customers Priority,Honest Operation,and Considerate Service”,our business mainly focus on the distribution of electronic components. Line cards we deal with include Microchip,ALPS,ROHM,Xilinx,Pulse,ON,Everlight and Freescale. Main products comprise IC,Modules,Potentiometer,IC Socket,Relay,Connector.Our parts cover such applications as commercial,industrial, and automotives areas.

We are looking forward to setting up business relationship with you and hope to provide you with the best service and solution. Let us make a better world for our industry!



Contact us

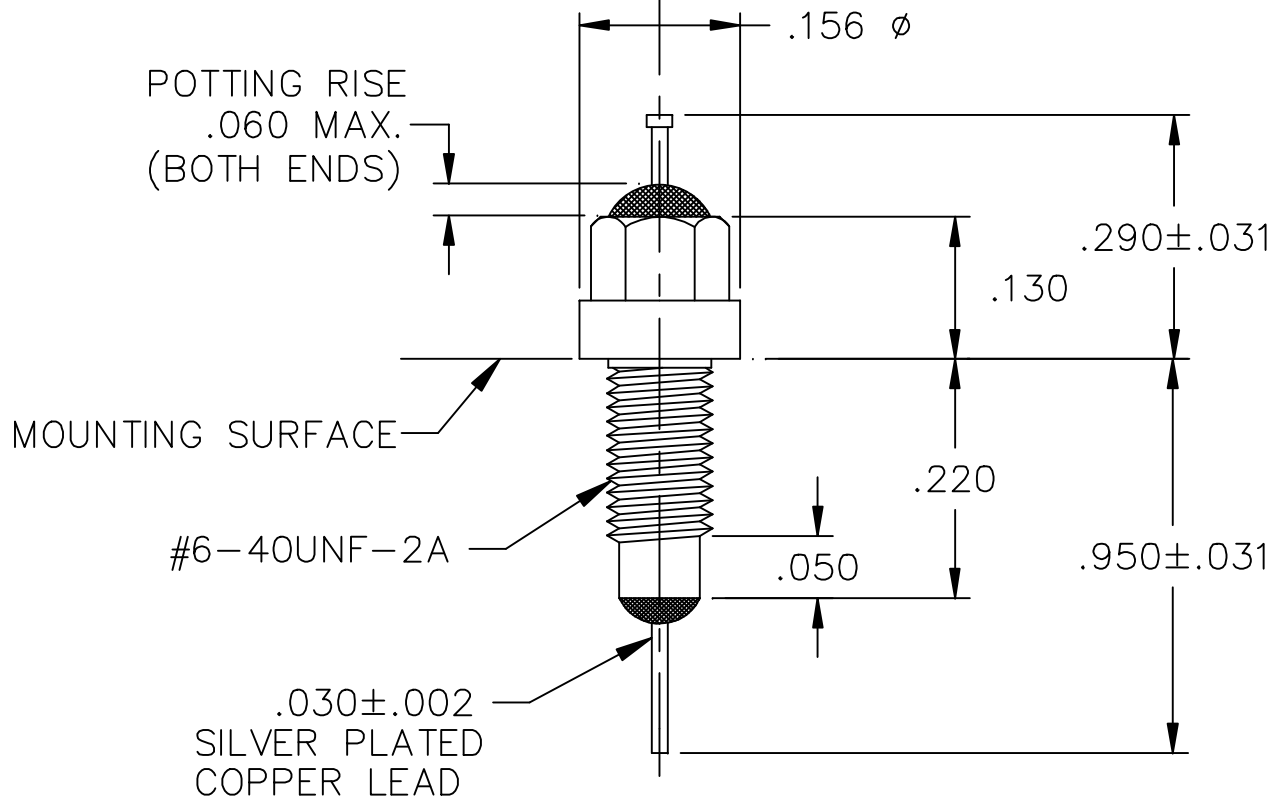
Tel: +86-755-8981 8866 Fax: +86-755-8427 6832

Email & Skype: info@chipsmall.com Web: www.chipsmall.com

Address: A1208, Overseas Decoration Building, #122 Zhenhua RD., Futian, Shenzhen, China



$+0.000$
 -0.005
.125 HEX. SILVER PLATED
STEEL BUSHING



NOTE: HARDWARE IS INCLUDED.

CAPACITANCE	1500 pF GMV
TEMP. RANGE	-55°C TO 125°C
CURRENT	10 AMP MAX.
DCR	.01 Ω MAX.
WORKING VOLTAGE	85°C 350 VDC 125°C 200 VDC



MIN. IL PER MIL-STD-220, 25°C, NO LOAD	
FREQ. (MHz)	dB
10	5
100	40
1GHz	60
10GHz	60

SCHEMATIC



MARKING:

PART : 89001
BAG : 1289-001
DATE CODE
QTY./BAG (200 MAX.)

	08	7	6	5	4	3	2	1	0	REV. NO.	TOLERANCES UNLESS OTHERWISE SPECIFIED
	CN 64826-ENG	CN 207435	CN 202979	CN 180696	CN 170043	CN 150202	CN 149285	CN 148903	CN 146113	CHANGE NOTICE	Fractions ± 1/64
											Dec. .xx±
											Dec. .xxx± .010
											Angles ±0° 30'
											CODE IDENT. NO. DLSP2

api technologies corp.

FAIRVIEW
PENNSYLVANIA

Dwn. J. KAUFFMAN

Description

Ckd. 7-24-12

FILTER

Apvd.

Scale NONE

1289-001