



Chipsmall Limited consists of a professional team with an average of over 10 year of expertise in the distribution of electronic components. Based in Hongkong, we have already established firm and mutual-benefit business relationships with customers from,Europe,America and south Asia,supplying obsolete and hard-to-find components to meet their specific needs.

With the principle of “Quality Parts,Customers Priority,Honest Operation,and Considerate Service”,our business mainly focus on the distribution of electronic components. Line cards we deal with include Microchip,ALPS,ROHM,Xilinx,Pulse,ON,Everlight and Freescale. Main products comprise IC,Modules,Potentiometer,IC Socket,Relay,Connector.Our parts cover such applications as commercial,industrial, and automotives areas.

We are looking forward to setting up business relationship with you and hope to provide you with the best service and solution. Let us make a better world for our industry!



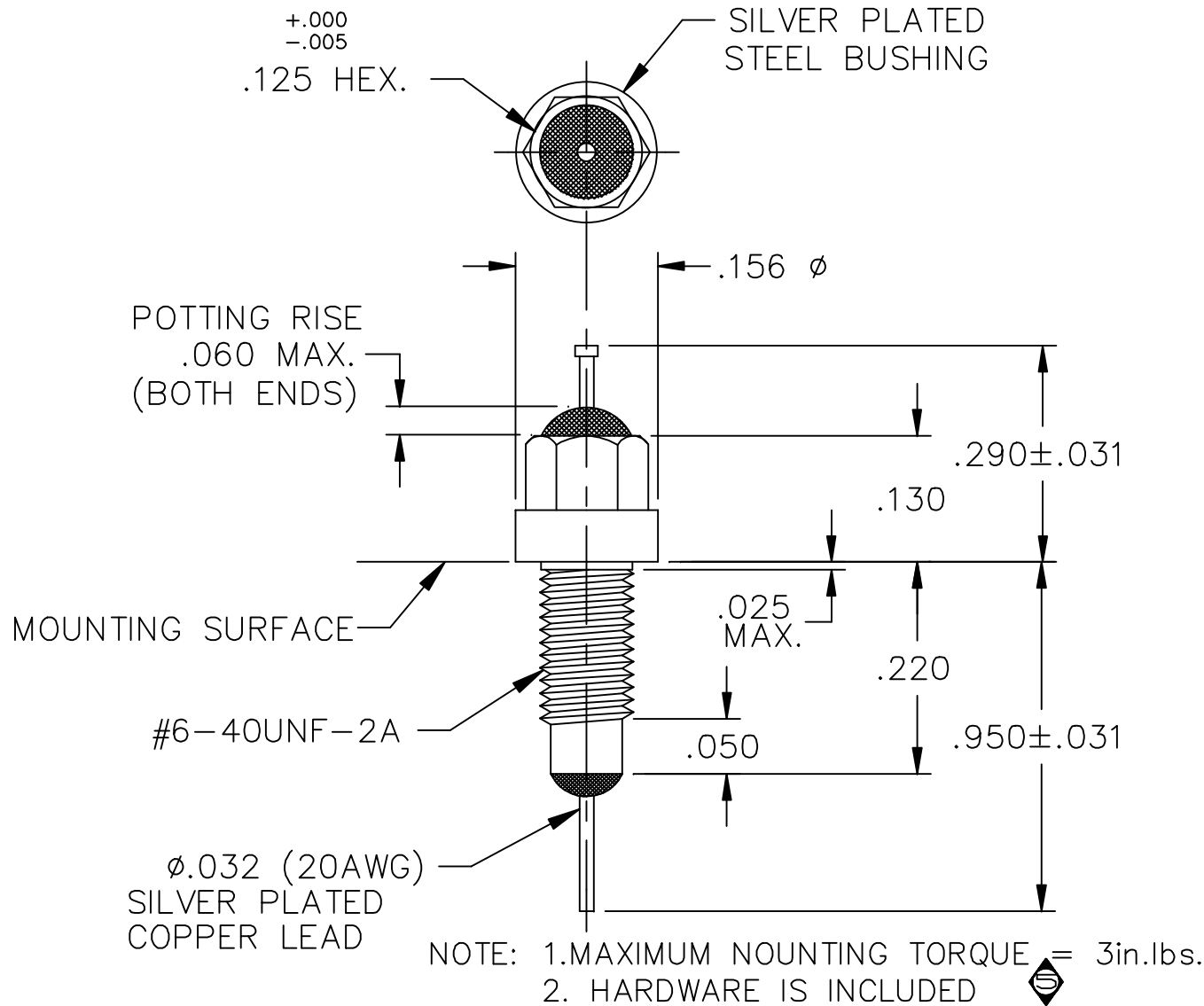
Contact us

Tel: +86-755-8981 8866 Fax: +86-755-8427 6832

Email & Skype: info@chipsmall.com Web: www.chipsmall.com

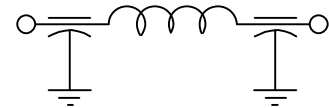
Address: A1208, Overseas Decoration Building, #122 Zhenhua RD., Futian, Shenzhen, China





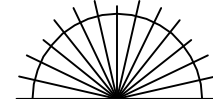
CAPACITANCE	3000 pF GMV
TEMP. RANGE	-55°C TO 125°C
CURRENT	10 AMP MAX.
DCR	.005 Ω MAX.
WORKING VOLTAGE	85°C 300 VDC 125°C 200 VDC
MIN. IL PER MIL-STD-220, 25°C, NO LOAD	
FREQ. (MHz)	dB
10	8
100	50
1GHz	70
10GHz	70

SCHEMATIC



MARKING:

PART: 89004
BAG: SCI-1289-004
XXXX DATE CODE
XXX QTY.
(200 PCS./BAG MAX.)

	5	4	3	REV. NO.	TOLERANCES UNLESS OTHERWISE SPECIFIED	 ERIE, FAIRVIEW PENNSYLVANIA SPECTRUM CONTROL INC.
	CN 202979	CN 181862	CN 180696 REDRAWN	CHANGE NOTICE	Fractions ± 1/64 Dec. .xx± Dec. .xxx± .010 Angles ±0° 30'	
					CODE IDENT. NO. DLSP2	Description FILTER 1289-004