



Chipsmall Limited consists of a professional team with an average of over 10 year of expertise in the distribution of electronic components. Based in Hongkong, we have already established firm and mutual-benefit business relationships with customers from,Europe,America and south Asia,supplying obsolete and hard-to-find components to meet their specific needs.

With the principle of “Quality Parts,Customers Priority,Honest Operation,and Considerate Service”,our business mainly focus on the distribution of electronic components. Line cards we deal with include Microchip,ALPS,ROHM,Xilinx,Pulse,ON,Everlight and Freescale. Main products comprise IC,Modules,Potentiometer,IC Socket,Relay,Connector.Our parts cover such applications as commercial,industrial, and automotives areas.

We are looking forward to setting up business relationship with you and hope to provide you with the best service and solution. Let us make a better world for our industry!



Contact us

Tel: +86-755-8981 8866 Fax: +86-755-8427 6832

Email & Skype: info@chipsmall.com Web: www.chipsmall.com

Address: A1208, Overseas Decoration Building, #122 Zhenhua RD., Futian, Shenzhen, China

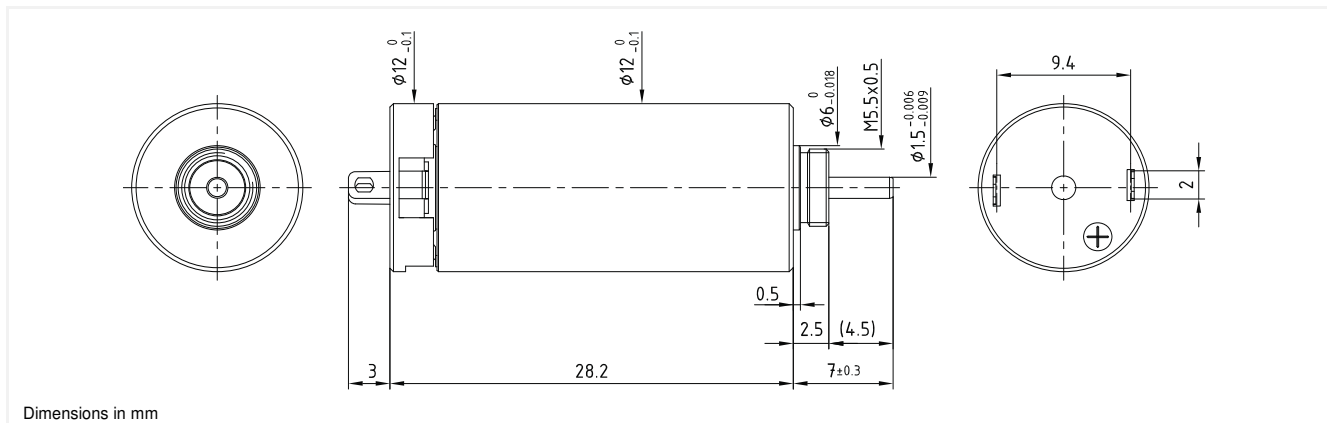


12G88 Athlonix™

Precious metal commutation

Ø12mm

3.5 mNm



12G88 ** .1001**

Electrical Data	****	215E	210E	
1 Nominal Voltage	V	4.5	9	Volt
2 No-Load Speed	n_0	8,670	9,900	rpm
3 No-Load Current	I_0	16.0	9.0	mA
4 Terminal Resistance	R	3.2	12.3	Ω
5 Output Power	P_{2max}	2.7	2.4	W
6 Stall Torque	mNm	6.8 (0.97)	6.3 (0.9)	mNm (oz-in)
7 Efficiency	η_{max}	80	79	%
8 Max Continuous Speed	$n_{e max}$	10,000	10,000	rpm
9 Max Continuous Torque	$M_{e max}$	3.5 (0.44)	3.1 (0.44)	mNm (oz-in)
10 Max Continuous Current	$I_{e max}$	0.73	0.37	A
11 Back-EMF Constant	k_E	0.51	0.90	mV/rpm
12 Torque Constant	k_M	4.90	8.60	mNm/A
13 Motor Regulation	R/k ²	130.0	170.0	10 ³ /Nms
14 Friction Torque	T_F	0.08 (0.02)	0.08 (0.02)	mNm (oz-in)
15 Rotor Inductance	L	0.08	0.25	mH
16 Mechanical Time Constant	t_m	3.8	4.3	ms
17 Rotor Inertia	J	0.29	0.26	g.cm ²
General Data				
18 Thermal Resistance (rotor/body)	R_{th1} / R_{th2}	10/50		°C/W
19 Thermal Time Constant (rotor/stator)	t_{w1}/t_{w2}	6/300		S
20 Operating Temperature Range:	motor	-30 °C to 85 °C (-22 °F to 185 °F)		°C (°F)
	rotor	100 °C (212 °F)		°C (°F)
21 Shaft Load Max.: (5mm from bearing)	With sleeve bearings			
	-radial	1.5 (5.4)		N (oz)
	-axial	150 (539.5)		N (oz)
22 Shaft Play:	-radial	<0.015 (0.0006)		mm (inch)
	-axial	0.300 (0.012)		mm (inch)
23 Weight	g	15 (0.53)		g (oz)

Execution Table		
Gearbox	Single Shaft	MR2
R10	1003	1005
R13	1002	1004

