



Chipsmall Limited consists of a professional team with an average of over 10 year of expertise in the distribution of electronic components. Based in Hongkong, we have already established firm and mutual-benefit business relationships with customers from,Europe,America and south Asia,supplying obsolete and hard-to-find components to meet their specific needs.

With the principle of “Quality Parts,Customers Priority,Honest Operation,and Considerate Service”,our business mainly focus on the distribution of electronic components. Line cards we deal with include Microchip,ALPS,ROHM,Xilinx,Pulse,ON,Everlight and Freescale. Main products comprise IC,Modules,Potentiometer,IC Socket,Relay,Connector.Our parts cover such applications as commercial,industrial, and automotives areas.

We are looking forward to setting up business relationship with you and hope to provide you with the best service and solution. Let us make a better world for our industry!



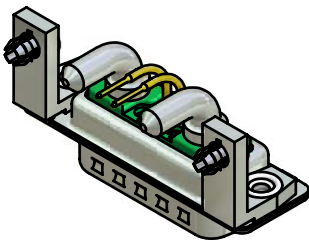
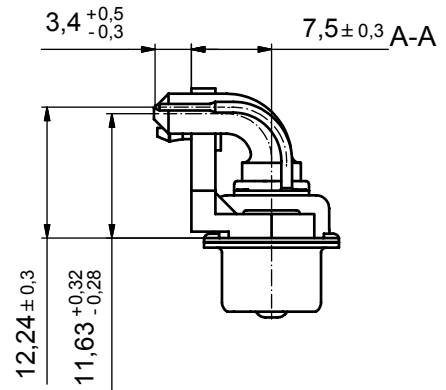
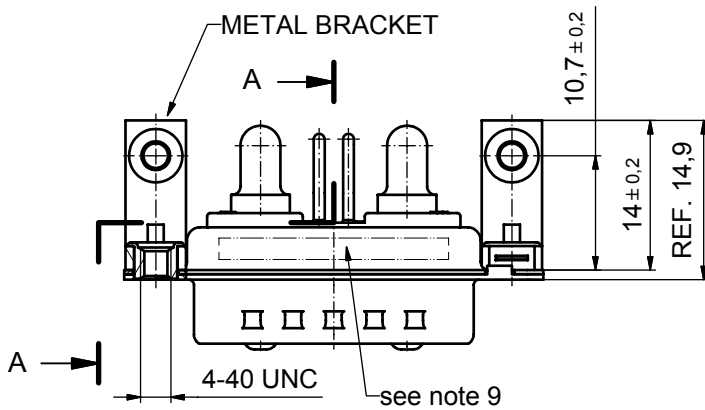
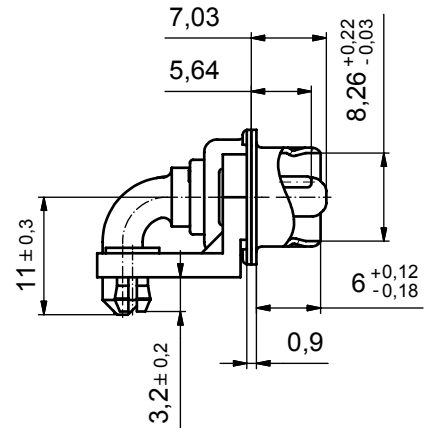
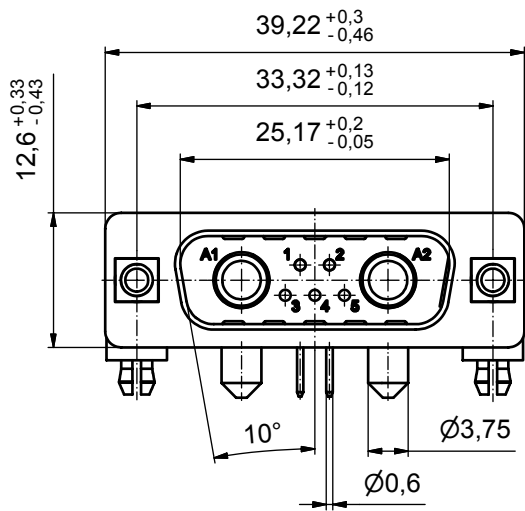
Contact us

Tel: +86-755-8981 8866 Fax: +86-755-8427 6832

Email & Skype: info@chipsmall.com Web: www.chipsmall.com

Address: A1208, Overseas Decoration Building, #122 Zhenhua RD., Futian, Shenzhen, China





Directive 2002/95/EC
"RoHS"
Compliant

NOTES:

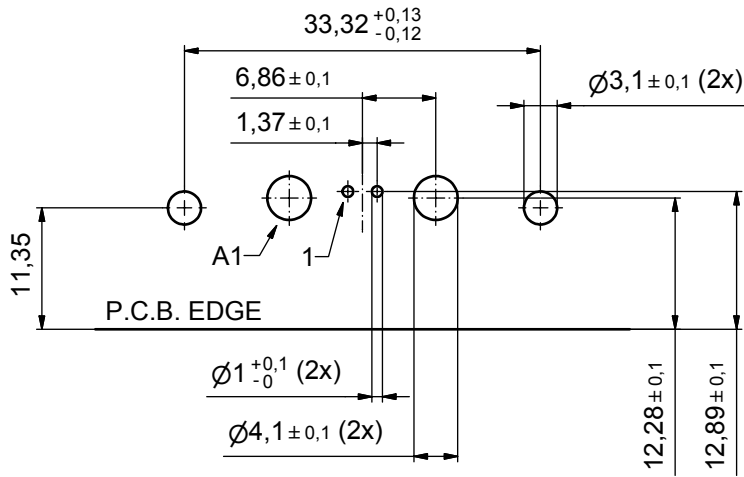
1. METALSHELLS: STEEL; min. 315µin TIN over 40-80µin NICKEL
2. INSULATORS: PBT GF UL 94 V-0; GREEN
3. HIGH POWER CONTACTS 40A: COPPER ALLOY
PLATING MATING AREA: 30µin HARD GOLD over min. 50µin NICKEL
PLATING TERMINATION SIDE: 160-240µin TIN over 80µin NICKEL
MALE CONTACT ON POS. A1 and A2
4. SIGNAL CONTACTS: COPPER ALLOY; 7,5A nominal
PLATING MATING AREA: 30µin HARD GOLD over min. 50µin NICKEL
MALE CONTACTS ON POS. 1 and 2, NO CONTACTS ON POS. 3, 4, 5
5. METAL BRACKET:
ZINC DIE CAST; 30µin COPPER/40-120µin NICKEL/120-200µin TIN
6. THREADED INSERT: COPPER ALLOY; min. 200µin TIN over 80µin NICKEL
7. PCB-SNAP: COPPER ALLOY; min. 200µin TIN over 80µin NICKEL
PCB-HOLE: $\phi 3,1 \pm 0,1$ mm; PCB-THICKNESS: 1,6mm
8. MAXIMUM TORQUE VALUE FOR THREAD: 6" LBS
9. CONNECTOR IS PART MARKED: 13-000101 CONEC ABC

APPROVAL # FREIGABE # DEBLOCAGE # AUTORIZACION # APPROVAL	APPROVAL # FREIGABE # DEBLOCAGE # AUTORIZACION # APPROVAL
CUSTOMER APPROVAL DATE:	
NAME:	TITLE:
COMPANY NAME:	
APPROVAL # FREIGABE # DEBLOCAGE # AUTORIZACION # APPROVAL	APPROVAL # FREIGABE # DEBLOCAGE # AUTORIZACION # APPROVAL

THIS DRAWING MAY NOT BE COPIED OR REPRODUCED IN ANY WAY, AND MAY NOT BE PASSED ON TO A THIRD PARTY WITHOUT WRITTEN PERMISSION. OWNERSHIP AND COPYRIGHT OF CONEC GmbH			
DO NOT ALTER CAD DRAWING BY HAND			
rev.	description	date	name

finish:	see notes
tolerance	ISO 2768-m
dim. in mm	
date	name
drawn	14.06.07 Schmidt
appd.	14.06.07 Koch
norm	
d-old	
CONEC®	

scale:	2:1	
material:	see notes	
title:	MicroTCA Single Port 90° Power Module Input Connector Male with threaded insert, metal bracket and snap	
dwg no:	Inventor 10	DIN-A3
	13K1A2061	sh: 1
part no:	13-000101	



APPROVAL # FREIGABE # DEBLOCAGE # AUTORIZACION # APPROVAL	
CUSTOMER APPROVAL DATE:	
NAME:	TITLE:
COMPANY NAME:	
APPROVAL # FREIGABE # DEBLOCAGE # AUTORIZACION # APPROVAL	

THIS DRAWING MAY NOT BE COPIED OR REPRODUCED IN ANY WAY, AND MAY NOT BE PASSED ON TO A THIRD PARTY WITHOUT WRITTEN PERMISSION. OWNERSHIP AND COPYRIGHT OF CONEC GmbH				DO NOT ALTER CAD DRAWING BY HAND	
finish:	see sheet 1			tolerance	ISO 2768-m
date				name	
drawn	14.06.07			name	Schmidt
appd.	14.06.07			name	Koch
norm				d-old	
a	Origin				
rev.	description	date	name		

scale:	2:1	
material:	see sheet 1	
title:	P.C.B. HOLE DRILLINGS MicroTCA Male Single Port 90° Power Module Input Connector	
dwg no:	Inventor 10	DIN-A3
	13K1A2061	sh: 2
part no:	see sheet 1	