



Chipsmall Limited consists of a professional team with an average of over 10 year of expertise in the distribution of electronic components. Based in Hongkong, we have already established firm and mutual-benefit business relationships with customers from,Europe,America and south Asia,supplying obsolete and hard-to-find components to meet their specific needs.

With the principle of “Quality Parts,Customers Priority,Honest Operation,and Considerate Service”,our business mainly focus on the distribution of electronic components. Line cards we deal with include Microchip,ALPS,ROHM,Xilinx,Pulse,ON,Everlight and Freescale. Main products comprise IC,Modules,Potentiometer,IC Socket,Relay,Connector.Our parts cover such applications as commercial,industrial, and automotives areas.

We are looking forward to setting up business relationship with you and hope to provide you with the best service and solution. Let us make a better world for our industry!



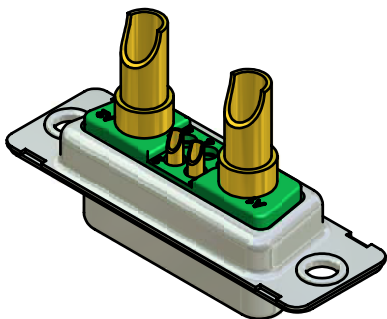
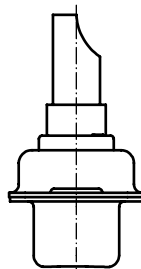
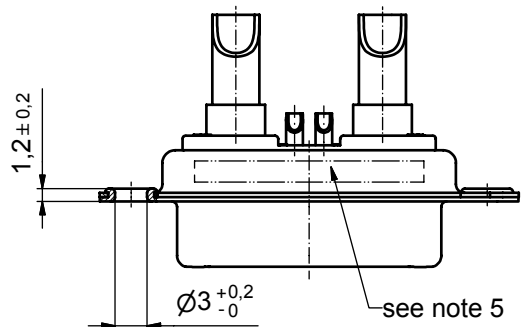
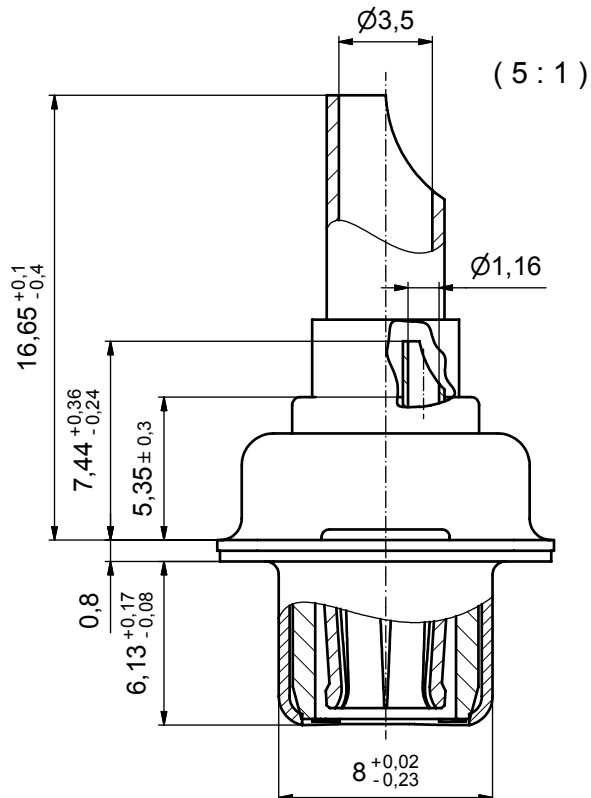
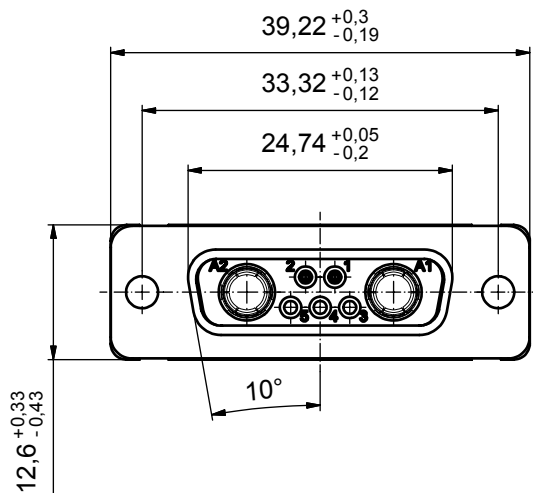
## Contact us

Tel: +86-755-8981 8866 Fax: +86-755-8427 6832

Email & Skype: info@chipsmall.com Web: www.chipsmall.com

Address: A1208, Overseas Decoration Building, #122 Zhenhua RD., Futian, Shenzhen, China





Directive 2002/95/EC  
"RoHS"  
Compliant

**NOTES:**

1. METAL SHELLS: STEEL; min. 315µm TIN over 40-80µm NICKEL
2. INSULATORS: PBT GF UL 94 V-0; GREEN
3. HIGH POWER CONTACTS 30A: COPPER ALLOY  
 PLATING MATING AREA: 30µm HARD GOLD over min. 50µm NICKEL  
 PLATING TERMINATION SIDE: 160-240µm TIN over 80µm NICKEL  
 SOLDER CUP ACCEPTS CABLE AWG 10-12  
 FEMALE CONTACT ON POS. A1 and A2
4. SIGNAL CONTACTS: COPPER ALLOY; 7,5A nominal  
 PLATING MATING AREA: 30µm HARD GOLD over min. 50µm NICKEL  
 SOLDER CUP ACCEPTS CABLE AWG 20  
 FEMALE CONTACTS ON POS. 1 and 2, NO CONTACTS ON POS. 3, 4, 5
5. CONNECTOR IS PART MARKED: 13-000131 CONEC ABC

APPROVAL # FREIGABE # DEBLOCAGE # AUTORIZACION # APPROVAL	
CUSTOMER APPROVAL DATE:	
NAME:	TITLE:
COMPANY NAME:	
APPROVAL # FREIGABE # DEBLOCAGE # AUTORIZACION # APPROVAL	

tolerance			
dim. in mm		date	name
		drawn 19.06.07 Schmidt	appd. 19.06.07 Koch
DO NOT ALTER CAD DRAWING BY HAND		norm	d-old
		a	Origin
rev.	description	date	name

scale: 2:1 (5:1)	
material: see notes	
title: <b>Micro TCA Single Port</b> SOCKET CONTACT SOLDER CUP 30A FOR CABLE AWG 10 - 12	
dwg no:	Inventor 10
13K1A2068	
part no:	13-000131
DIN-A3	sh: 1

