



Chipsmall Limited consists of a professional team with an average of over 10 year of expertise in the distribution of electronic components. Based in Hongkong, we have already established firm and mutual-benefit business relationships with customers from,Europe,America and south Asia,supplying obsolete and hard-to-find components to meet their specific needs.

With the principle of “Quality Parts,Customers Priority,Honest Operation,and Considerate Service”,our business mainly focus on the distribution of electronic components. Line cards we deal with include Microchip,ALPS,ROHM,Xilinx,Pulse,ON,Everlight and Freescale. Main products comprise IC,Modules,Potentiometer,IC Socket,Relay,Connector.Our parts cover such applications as commercial,industrial, and automotives areas.

We are looking forward to setting up business relationship with you and hope to provide you with the best service and solution. Let us make a better world for our industry!



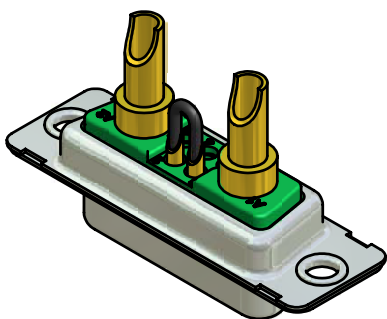
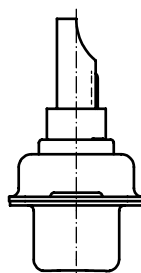
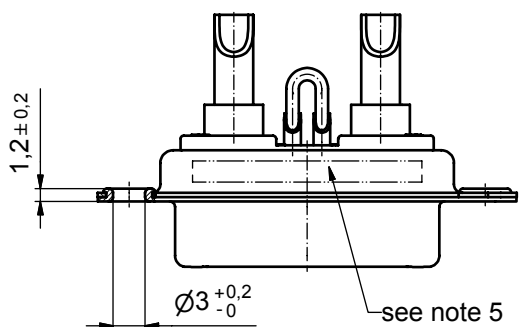
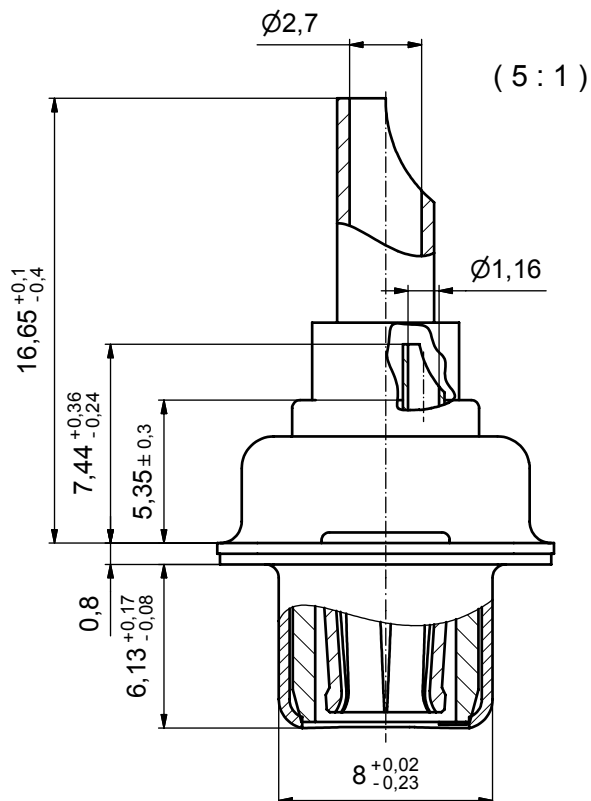
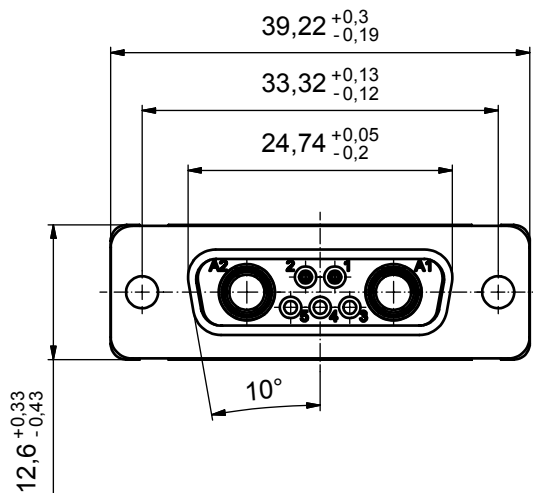
## Contact us

Tel: +86-755-8981 8866 Fax: +86-755-8427 6832

Email & Skype: info@chipsmall.com Web: www.chipsmall.com

Address: A1208, Overseas Decoration Building, #122 Zhenhua RD., Futian, Shenzhen, China





Directive 2002/95/EC  
"RoHS"  
Compliant

**NOTES:**

1. METALSHELLS: STEEL; min. 315µin TIN over 40-80µin NICKEL
2. INSULATORS: PBT GF UL 94 V-0; GREEN
3. HIGH POWER CONTACTS 20A: COPPER ALLOY  
PLATING MATING AREA: 30µin HARD GOLD over min. 50µin NICKEL  
PLATING TERMINATION SIDE: 160-240µin TIN over 80µin NICKEL  
SOLDER CUP ACCEPTS CABLE AWG 12-14  
FEMALE CONTACT ON POS. A1 and A2
4. SIGNAL CONTACTS: COPPER ALLOY; 7,5A nominal  
PLATING MATING AREA: 30µin HARD GOLD over min. 50µin NICKEL  
SOLDER CUP ACCEPTS CABLE AWG 20  
FEMALE CONTACTS WIRE BRIDGE FROM POS. 1 TO POS. 2,  
NO CONTACTS ON POS. 3, 4, 5
5. CONNECTOR IS PART MARKED: 13-000171 CONEC ABC

|   |        |
|---|--------|
| APPROVAL # FREIGABE # DEBLOCAGE # AUTORIZACION # APPROVAL |        |
| CUSTOMER APPROVAL DATE:                                   |        |
| NAME:   | TITLE: |
| COMPANY NAME:   |        |
| APPROVAL # FREIGABE # DEBLOCAGE # AUTORIZACION # APPROVAL |        |

|                                  |             |      |      |
|----------------------------------|-------------|------|------|
| DO NOT ALTER CAD DRAWING BY HAND |             |      |      |
| a                                | Origin      |      |      |
| rev.                             | description | date | name |

|  |                |            |  |
|--|----------------|------------|--|
|  | tolerance      |            |  |
|  |                | dim. in mm |  |
|  | date           | name       |  |
|  | drawn 19.06.07 | Schmidt    |  |
|  | appd. 19.06.07 | Koch       |  |
|  | norm           |            |  |
|  | d-old          |            |  |

|   |             |        |
|---|-------------|--------|
| scale:  | 2:1 (5:1)   |        |
| material:   | see notes   |        |
| title:  |             |        |
| <b>Micro TCA Single Port</b><br>Female, Solder Cup for cable AWG 12 - 14<br>with wire bridge on signal contacts |             |        |
| dwg no:   | Inventor 10 | DIN-A3 |
|   | 13K1A2072   | sh: 1  |
| part no:  | 13-000171   |        |