



Chipsmall Limited consists of a professional team with an average of over 10 year of expertise in the distribution of electronic components. Based in Hongkong, we have already established firm and mutual-benefit business relationships with customers from,Europe,America and south Asia,supplying obsolete and hard-to-find components to meet their specific needs.

With the principle of “Quality Parts,Customers Priority,Honest Operation,and Considerate Service”,our business mainly focus on the distribution of electronic components. Line cards we deal with include Microchip,ALPS,ROHM,Xilinx,Pulse,ON,Everlight and Freescale. Main products comprise IC,Modules,Potentiometer,IC Socket,Relay,Connector.Our parts cover such applications as commercial,industrial, and automotives areas.

We are looking forward to setting up business relationship with you and hope to provide you with the best service and solution. Let us make a better world for our industry!



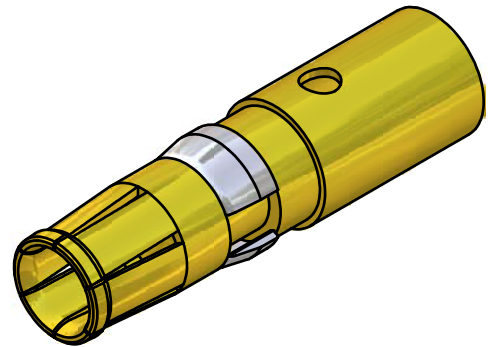
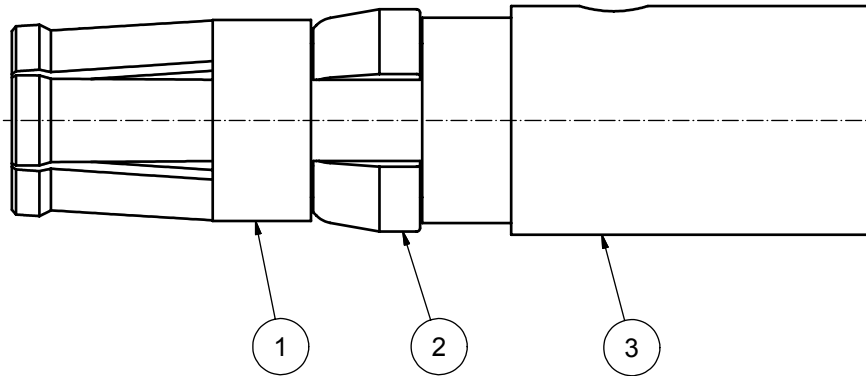
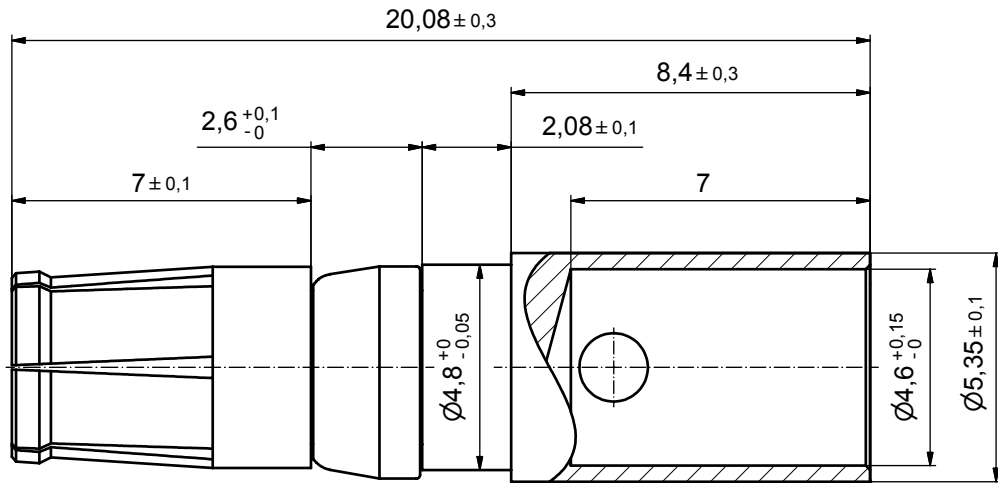
Contact us

Tel: +86-755-8981 8866 Fax: +86-755-8427 6832

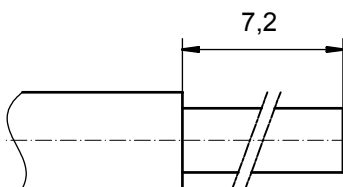
Email & Skype: info@chipsmall.com Web: www.chipsmall.com

Address: A1208, Overseas Decoration Building, #122 Zhenhua RD., Futian, Shenzhen, China





STRIPPING DIMENSIONS



Directive 2002/95/EC
„RoHS“
Compliant

NOTES:

CRIMPING:
USE CRIMP TOOL: 360X10409X
WITH TOOL INSERT: 36-000060
SELECTOR SETTINGS: 5 FOR AWG 8
4 FOR AWG 10

3	1	REAR SIDE	COPPER ALLOY	min. 8µin HARD GOLD over min. 50µin NICKEL
2	1	RETAINING RING	COPPER ALLOY	NICKEL PLATED
1	1	MATING SIDE	COPPER ALLOY	min. 30µin HARD GOLD over min. 50µin NICKEL
item	quantity	part description	material	plating

partlist

APPROVAL # FREIGABE # DEBLOCAGE # AUTORIZACION # APPROVAL	
CUSTOMER APPROVAL DATE:	
NAME:	TITLE:
COMPANY NAME:	
APPROVAL # FREIGABE # DEBLOCAGE # AUTORIZACION # APPROVAL	

THIS DRAWING MAY NOT BE COPIED OR REPRODUCED IN ANY WAY, AND MAY NOT BE PASSED ON TO A THIRD PARTY WITHOUT WRITTEN PERMISSION. OWNERSHIP AND COPYRIGHT OF CONEC GmbH DO NOT ALTER CAD DRAWING BY HAND		tolerance	ISO 2768-m	 dim. in mm	scale:	8:1
					material:	see partlist
		date	name	HIGH POWER CONTACT FEMALE CRIMP VERSION 40A D-SUB COMBINATION		
		drawn	04.01.08 Schmidt			
		appd.	04.01.08 Koch			
		norm		dwg no: Inventor 10 DIN-A3 sh: 1		
		d-old				
		a	Origin	13K1A2378		
		rev.	description	part no: 13-000321		

