



Chipsmall Limited consists of a professional team with an average of over 10 year of expertise in the distribution of electronic components. Based in Hongkong, we have already established firm and mutual-benefit business relationships with customers from,Europe,America and south Asia,supplying obsolete and hard-to-find components to meet their specific needs.

With the principle of “Quality Parts,Customers Priority,Honest Operation,and Considerate Service”,our business mainly focus on the distribution of electronic components. Line cards we deal with include Microchip,ALPS,ROHM,Xilinx,Pulse,ON,Everlight and Freescale. Main products comprise IC,Modules,Potentiometer,IC Socket,Relay,Connector.Our parts cover such applications as commercial,industrial, and automotives areas.

We are looking forward to setting up business relationship with you and hope to provide you with the best service and solution. Let us make a better world for our industry!



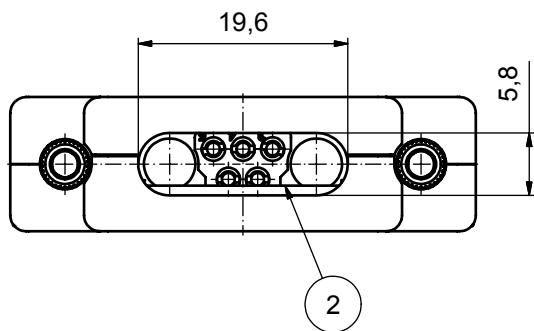
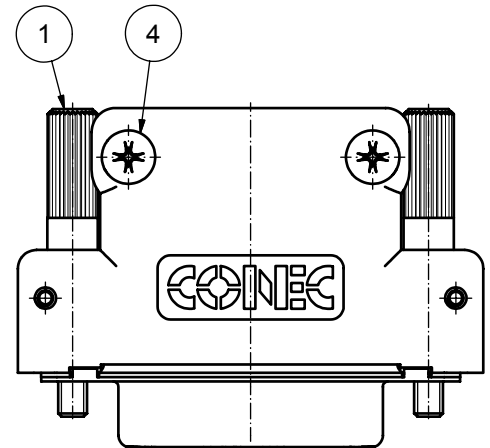
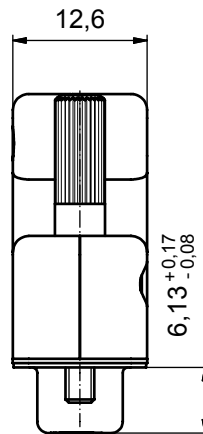
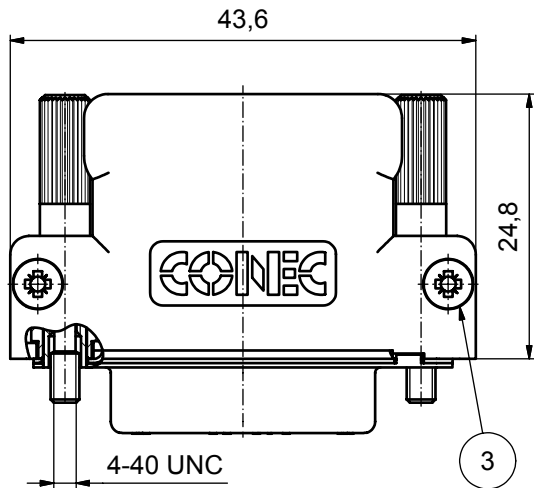
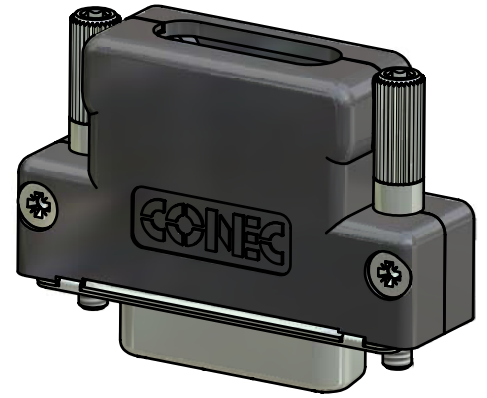
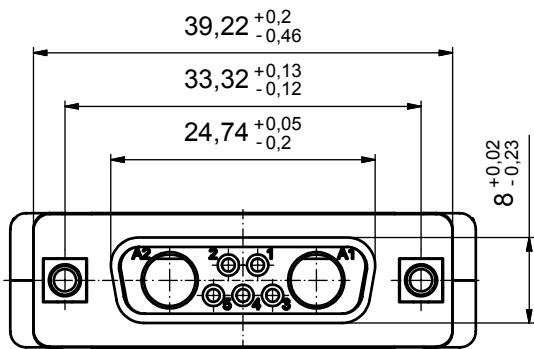
Contact us


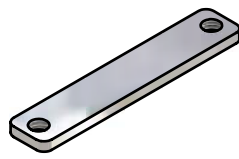
Tel: +86-755-8981 8866 Fax: +86-755-8427 6832

Email & Skype: info@chipsmall.com Web: www.chipsmall.com

Address: A1208, Overseas Decoration Building, #122 Zhenhua RD., Futian, Shenzhen, China





<p>POS. 1</p>  <p>2x JACKSCREW 4-40 UNC with allen wrench head</p>	<p>POS. 2</p>  <p>1x CABLE STRAIN RELIEF</p>
<p>POS. 3</p>  <p>2x COVER SCREW</p>	<p>POS. 4</p>  <p>2x CABLE STRAIN RELIEF SCREW</p>

NOTES:

1. HOOD: PBT GF UL 94 V0
2. JACKSCREW 4-40 UNC: STEEL; NICKEL PLATED
3. SCREW FOR STRAIN RELIEF: STEEL; NICKEL PLATED
4. COVER SCREW: STEEL; NICKEL PLATED
5. STRAIN RELIEF: STEEL; NICKEL PLATED
6. FEMALE CONNECTOR 7W2, WITHOUT CONTACTS



APPROVAL # FREIGABE # DEBLOCAGE # AUTORIZACION # APPROVAL	
CUSTOMER APPROVAL DATE:	
NAME:	TITLE:
COMPANY NAME:	
APPROVAL # FREIGABE # DEBLOCAGE # AUTORIZACION # APPROVAL	

THIS DRAWING MAY NOT BE COPIED OR REPRODUCED IN ANY WAY, AND MAY NOT BE PASSED ON TO A THIRD PARTY WITHOUT WRITTEN PERMISSION. OWNERSHIP AND COPYRIGHT OF CONEC GmbH			
DO NOT ALTER CAD DRAWING BY HAND			
rev.	description	date	name

tolerance	ISO 2768-m
dim. in mm	
date	name
drawn	17.12.07 Schmidt
appd.	17.12.07 Mickenbecker
norm	
d-old	
CONEC	

scale:	2:1	
material:	see notes	
title:		
PLASTIC HOOD with 7W2 Female Crimp Connector straight cable exit		
dwg no:	Inventor 10	DIN-A3
	13K3A2364	sh: 1
part no:	13-000370	