



Chipsmall Limited consists of a professional team with an average of over 10 year of expertise in the distribution of electronic components. Based in Hongkong, we have already established firm and mutual-benefit business relationships with customers from,Europe,America and south Asia,supplying obsolete and hard-to-find components to meet their specific needs.

With the principle of “Quality Parts,Customers Priority,Honest Operation,and Considerate Service”,our business mainly focus on the distribution of electronic components. Line cards we deal with include Microchip,ALPS,ROHM,Xilinx,Pulse,ON,Everlight and Freescale. Main products comprise IC,Modules,Potentiometer,IC Socket,Relay,Connector.Our parts cover such applications as commercial,industrial, and automotives areas.

We are looking forward to setting up business relationship with you and hope to provide you with the best service and solution. Let us make a better world for our industry!



## Contact us

Tel: +86-755-8981 8866 Fax: +86-755-8427 6832

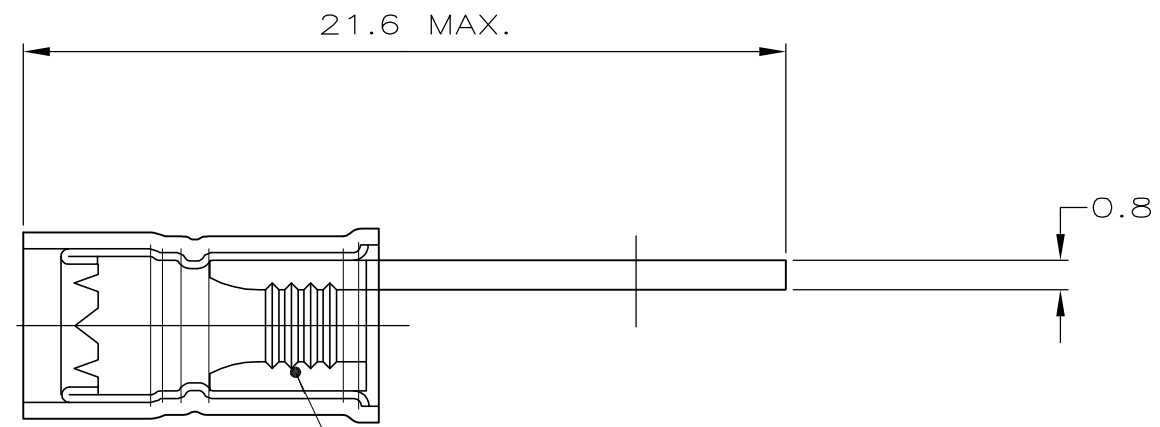
Email & Skype: info@chipsmall.com Web: www.chipsmall.com

Address: A1208, Overseas Decoration Building, #122 Zhenhua RD., Futian, Shenzhen, China

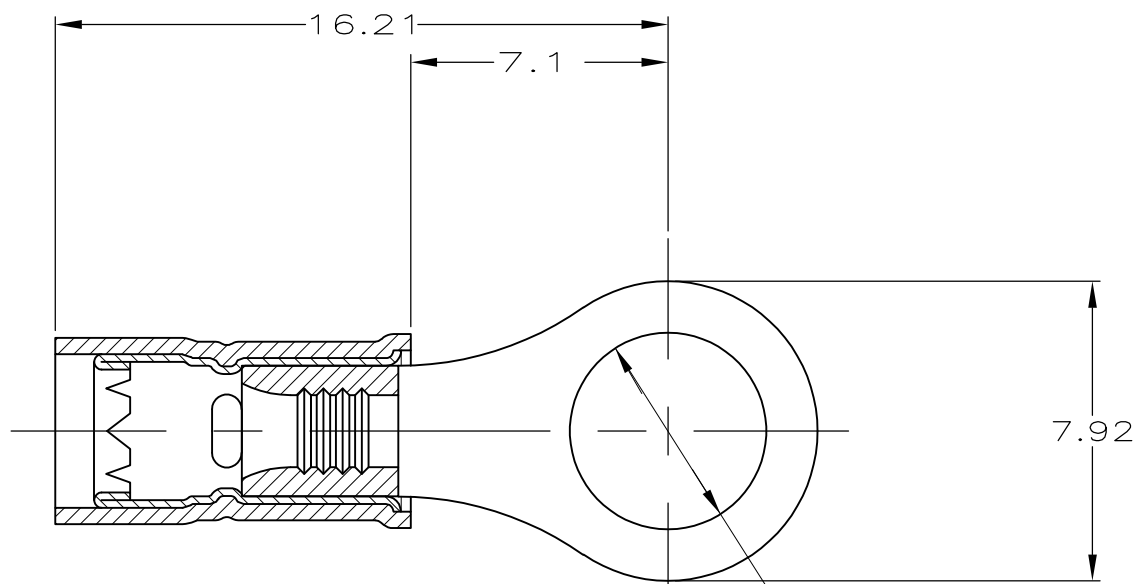


THIS DRAWING IS UNPUBLISHED. RELEASED FOR PUBLICATION  
 © COPYRIGHT - By - ALL RIGHTS RESERVED.

LOC	DIST	REVISIONS					
P	LTR	DESCRIPTION	DATE	DWN	APVD		
F	-	P	P	REVISED PER ECO-11-005027	14MAR11	RK	HMR



MANCHON ROUGE



TROU POUR BORNE M5 (#10)

DESSIN CLIENT UNIQUEMENT POUR REFERENCES

THIS DRAWING IS A CONTROLLED DOCUMENT.		DWN G. ROBERT	02/02/90	<b>STE</b> TE Connectivity															
DIMENSIONS: mm [INCHES]		CHK PAR	APVD -			NAME COSSE PIDG													
TOLERANCES UNLESS OTHERWISE SPECIFIED:		PRODUCT SPEC -		APPLICATION SPEC -															
<table border="0"> <tr><td>0 PLC</td><td>± -</td></tr> <tr><td>1 PLC</td><td>± 0,3</td></tr> <tr><td>2 PLC</td><td>± -</td></tr> <tr><td>3 PLC</td><td>± -</td></tr> <tr><td>4 PLC</td><td>± -</td></tr> <tr><td>ANGLES</td><td>± 5°</td></tr> </table>		0 PLC	± -	1 PLC	± 0,3	2 PLC	± -	3 PLC	± -	4 PLC	± -	ANGLES	± 5°	WEIGHT -		SIZE A3	CAGE CODE 00779	DRAWING NO C-130005	RESTRICTED TO -
0 PLC	± -																		
1 PLC	± 0,3																		
2 PLC	± -																		
3 PLC	± -																		
4 PLC	± -																		
ANGLES	± 5°																		
MATERIAL CUIVRE	FINISH ETAIN	CUSTOMER DRAWING		SCALE -	SHEET 1 OF 1	REV P													