



Chipsmall Limited consists of a professional team with an average of over 10 year of expertise in the distribution of electronic components. Based in Hongkong, we have already established firm and mutual-benefit business relationships with customers from,Europe,America and south Asia,supplying obsolete and hard-to-find components to meet their specific needs.

With the principle of "Quality Parts,Customers Priority,Honest Operation,and Considerate Service",our business mainly focus on the distribution of electronic components. Line cards we deal with include Microchip,ALPS,ROHM,Xilinx,Pulse,ON,Everlight and Freescale. Main products comprise IC,Modules,Potentiometer,IC Socket,Relay,Connector.Our parts cover such applications as commercial,industrial, and automotives areas.

We are looking forward to setting up business relationship with you and hope to provide you with the best service and solution. Let us make a better world for our industry!



## Contact us

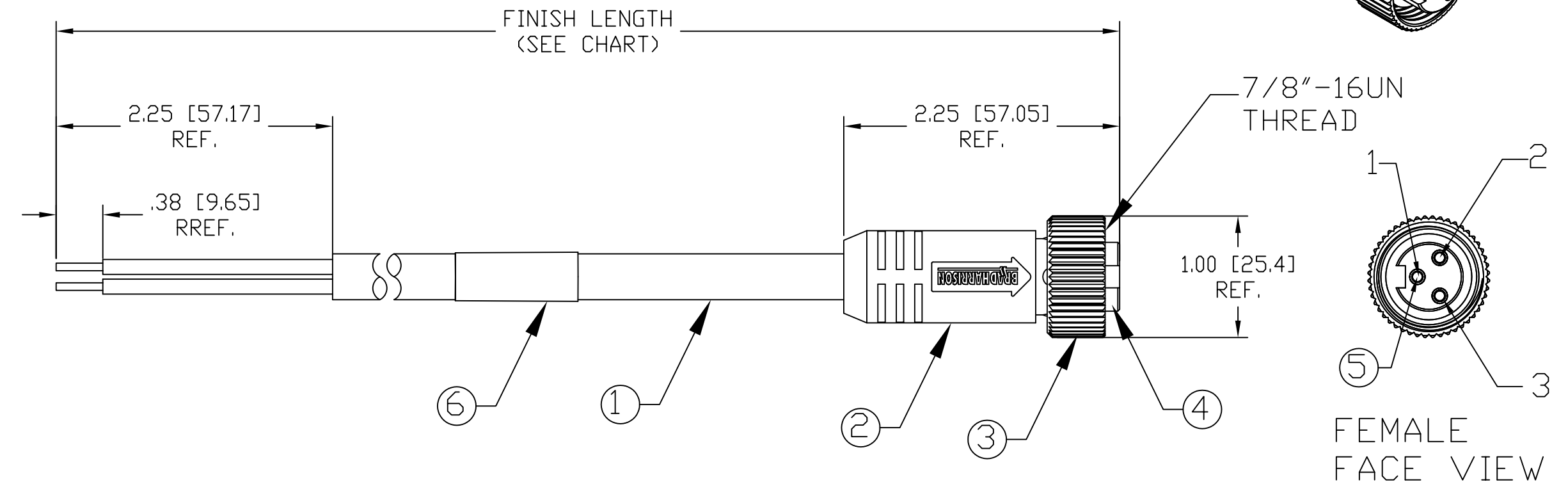
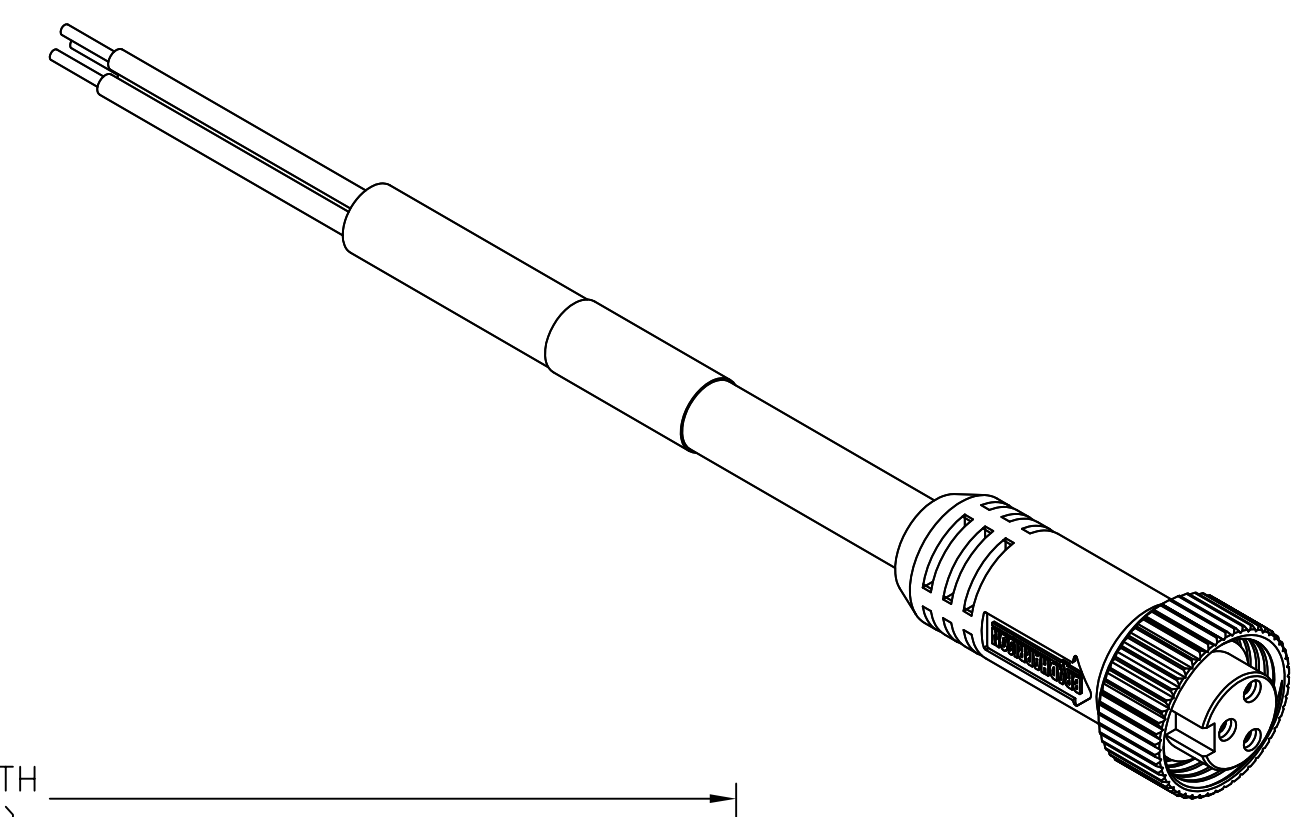
Tel: +86-755-8981 8866 Fax: +86-755-8427 6832

Email & Skype: info@chipsmall.com Web: www.chipsmall.com

Address: A1208, Overseas Decoration Building, #122 Zhenhua RD., Futian, Shenzhen, China



13	12	11	10	9	8	7	6	5	4	3	2	1
PART NUMBER	ENGINEERING NUMBER	FINISH LENGTH			PART NUMBER	ENGINEERING NUMBER	FINISH LENGTH					
1300060217	103000A01F030	3.00' +1.75" -0 [0.9M +44.5 -0]			1300060257	103000A01F450	45.00' +12.50" -0 [13.7M +317.5 -0]					
1300060221	103000A01F060	6.00' +3.50" -0 [1.8M +88.9 -0]			1300060258	103000A01F500	50.00' +24.50" -0 [15.2M +622.3 -0]					
1300060229	103000A01F090	9.00' +3.50" -0 [2.7M +88.9 -0]										
1300060232	103000A01F120	12.00' +6.50" -0 [3.7M +165.1 -0]										
1300060237	103000A01F150	15.00' +6.50" -0 [4.6M +165.1 -0]										
1300060241	103000A01F200	20.00' +6.50" -0 [6.1M +165.1 -0]										
1300060246	103000A01F250	25.00' +12.50" -0 [7.6M +317.5 -0]										
1300060250	103000A01F300	30.00' +12.50" -0 [9.1M +317.5 -0]										
1300060253	103000A01F350	35.00' +12.50" -0 [10.7M +317.5 -0]										
1300060254	103000A01F400	40.00' +12.50" -0 [12.2M +317.5 -0]										



NOTE

- 1) MATERIAL: SEE TABLE
- 2) FINISHES: SEE TABLE
- 3) WRAP LABEL IS MARKED WITH P/N, DATE CODE, VOLTAGE & AMPERAGE
- 4) MATES WITH: MINI CHANGE, 3 POLE RECEPTACLE
- 5) ELECTRICAL DATA:  
 INLINE CORDSET  
 FEMALE A-SIZE WITH FLYING LEADS  
 16AWG UNSHIELDED  
 POLES: 3  
 MAX. VOLTAGE: 600V  
 MAX. CURRENT 13A  
 PROTECTION IP67  
 TEMPERATURE RANGE: -20°C TO 105°C
- 6) PACKAGING:  
 CABLE ASSEMBLIES ARE BAGGED SEPERATELY  
 IN POLY BAGS WITH BAR CODE LABEL ATTACHED  
 TO OUTSIDE OF BAG.
- 7) ASSEMBLY IS RoHS COMPLIANT.
- 8) CERTIFICATION  
 UL RECOGNIZED, FILE NO. E152210  
 CSA CERTIFIED, FILE NO. LR6837

P1

1	GREEN/YELLOW-GRD
2	BLACK
3	WHITE

WIRING DIAGRAM

ITEM	QTY.	DESCRIPTION	MATERIAL	FINISH
6	1	LABEL	PLASTIC FILM	BLACK/YELLOW
5	3	CONTACT SOCKET	COPPER ALLOY	GOLD PLATED
4	1	INSERT	PVC	YELLOW
3	1	COUPLING NUT	ZINC DIE CAST	BLACKE-COATED
2	1	OVERMOLD	PVC	YELLOW
1	1	CABLE, 16AWG-3 TYPE ST00W	PVC	YELLOW

<b>CORRECT COLOR ROTATION</b> EC NO: WNA2010-0389 DRWN: TWOLDEGE 12/17/09 CH'KD: BWOODMAN APPR: JFMURPHY 2010/01/04	DESCRIPTION REV	<b>QUALITY SYMBOL</b> ▽=0 ◻=0	<b>GENERAL TOLERANCES (UNLESS SPECIFIED)</b>		<b>DIMENSION STYLE</b> IN/MM		SCALE 1:1	DESIGN UNITS INCH	THIRD ANGLE PROJECTION			
				4 PLACES ±--- ±--- 3 PLACES ±.005 ±.005 2 PLACES ±.013 ±.010 1 PLACE ±.025 ±.020	DRAWN BY DATE TWOLDEGE 2009/07/10		TITLE <b>MINI CHANGE ASSEMBLY          3-POLE FEMALE ST          16/3AWG PVC</b>					
				ANGULAR ±1/2°	CHECKED BY DATE BWOODMAN 2009/07/10		APPROVED BY DATE JFMURPHY 2010/01/04		MOLEX INCORPORATED			
				DRAFT WHERE APPLICABLE MUST REMAIN WITHIN DIMENSIONS	MATERIAL NO. <b>SEE CHART</b>		DOCUMENT NO. <b>SD-130006-008</b>		SHEET NO. <b>1 OF 1</b>			

THIS DRAWING CONTAINS INFORMATION THAT IS PROPRIETARY TO MOLEX INCORPORATED AND SHOULD NOT BE USED WITHOUT WRITTEN PERMISSION