



Chipsmall Limited consists of a professional team with an average of over 10 year of expertise in the distribution of electronic components. Based in Hongkong, we have already established firm and mutual-benefit business relationships with customers from,Europe,America and south Asia,supplying obsolete and hard-to-find components to meet their specific needs.

With the principle of “Quality Parts,Customers Priority,Honest Operation,and Considerate Service”,our business mainly focus on the distribution of electronic components. Line cards we deal with include Microchip,ALPS,ROHM,Xilinx,Pulse,ON,Everlight and Freescale. Main products comprise IC,Modules,Potentiometer,IC Socket,Relay,Connector.Our parts cover such applications as commercial,industrial, and automotives areas.

We are looking forward to setting up business relationship with you and hope to provide you with the best service and solution. Let us make a better world for our industry!



Contact us

Tel: +86-755-8981 8866 Fax: +86-755-8427 6832

Email & Skype: info@chipsmall.com Web: www.chipsmall.com

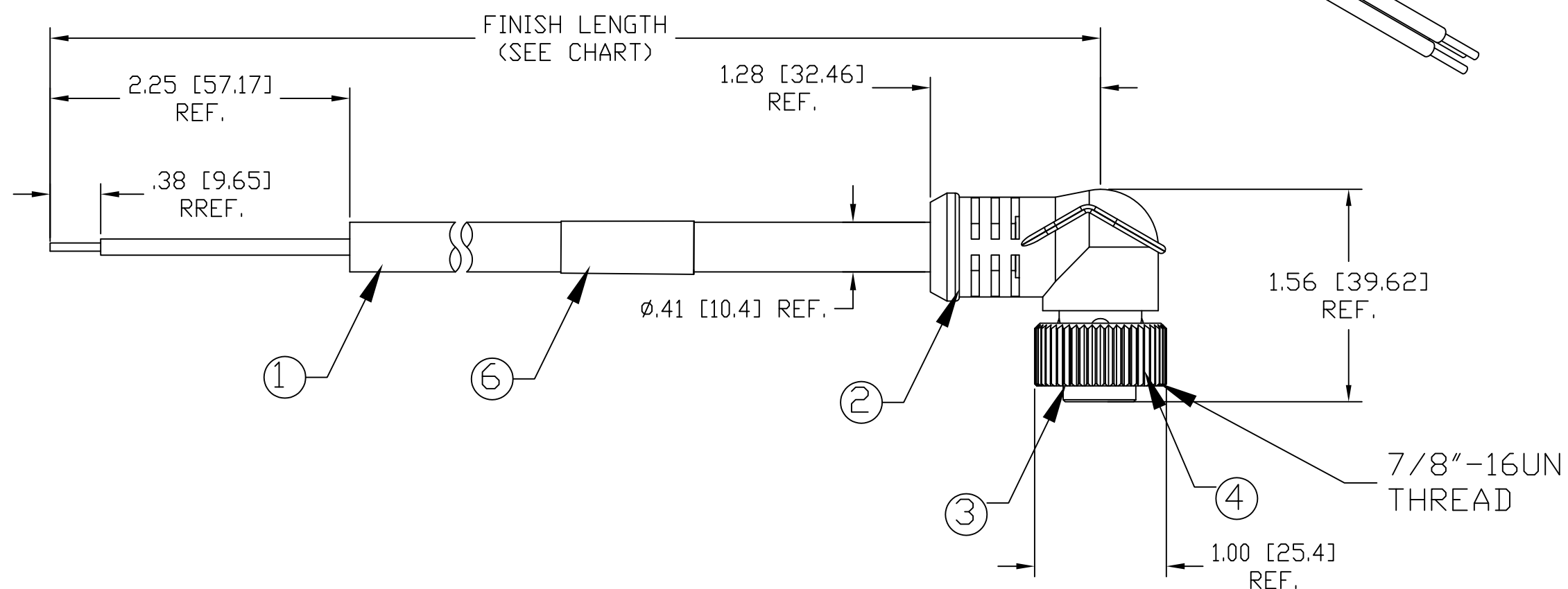
Address: A1208, Overseas Decoration Building, #122 Zhenhua RD., Futian, Shenzhen, China



13	12	11	10	9	8	7	6	5	4	3	2	1
PART NUMBER	ENGINEERING NUMBER	FINISH LENGTH										
1300060422	103001A01F030	3.00' +1.75" -0 [.9M +44.5 -0]										
1300060426	103001A01F060	6.00' +2.19" -0 [1.8M +55.6 -0]										
1300060430	103001A01F120	12.00' +3.50" -0 [3.7M +88.9 -0]										
1300060433	103001A01F150	15.00' +6.50" -0 [4.6M +165.1 -0]										
1300060436	103001A01F200	20.00' +6.50" -0 [6.1M +165.1 -0]										
1300060440	103001A01F250	25.00' +12.50" -0 [7.6M +317.5 -0]										
1300060442	103001A01F300	30.00' +12.50" -0 [9.1M +317.5 -0]										

NOTE

- 1) MATERIAL: SEE TABLE
- 2) FINISHES: SEE TABLE
- 3) WRAP LABEL IS MARKED WITH P/N, DATE CODE, VOLTAGE & AMPERAGE
- 4) MATES WITH: MINI CHANGE, 3 POLE RECEPTACLE
- 5) ELECTRICAL DATA:
 INLINE CORDSET
 FEMALE A-SIZE WITH FLYING LEADS
 16AWG UNSHIELDED
 POLES: 3
 MAX. VOLTAGE: 600V
 MAX. CURRENT 13A
 PROTECTION IP67
 TEMPERATURE RANGE: -20°C TO 105°C
- 6) PACKAGING:
 CABLE ASSEMBLIES ARE BAGGED SEPERATELY
 IN POLY BAGS WITH BAR CODE LABEL ATTACHED
 TO OUTSIDE OF BAG.
- 7) ASSEMBLY IS RoHS COMPLIANT.
- 8) CERTIFICATION
 UL RECOGNIZED, FILE NO. E152210
 CSA CERTIFIED, FILE NO. LR6837



P1

1	GREEN/YELLOW-GND
2	BLACK
3	WHITE

FEMALE FACE VIEW

WIRING DIAGRAM

ITEM	QTY.	DESCRIPTION	MATERIAL	FINISH
6	1	LABEL	PLASTIC FILM	BLACK/YELLOW
5	3	CONTACT SOCKET	COPPER ALLOY	GOLD PLATED
4	1	INSERT	PVC	YELLOW
3	1	COUPLING NUT	ZINC DIE CAST	BLACK E-COATED
2	1	OVERMOLD	PVC	YELLOW
1	1	CABLE, 16AWG-3 TYPE STOOD	PVC	YELLOW

RELEASE EC NO: WNA2010-0397 DRWN: BWOODMAN 12/22/09 CH'KD: --- APPR: JFMURPHY 2010/01/05	DESCRIPTION REV	QUALITY SYMBOL ▽=0 ▽=0	GENERAL TOLERANCES (UNLESS SPECIFIED) <table border="1"> <tr> <th></th> <th>mm</th> <th>INCH</th> </tr> <tr> <td>4 PLACES</td> <td>±---</td> <td>±---</td> </tr> <tr> <td>3 PLACES</td> <td>±.005</td> <td>±.005</td> </tr> <tr> <td>2 PLACES</td> <td>±.013</td> <td>±.010</td> </tr> <tr> <td>1 PLACE</td> <td>±.025</td> <td>±.020</td> </tr> </table>		mm	INCH	4 PLACES	±---	±---	3 PLACES	±.005	±.005	2 PLACES	±.013	±.010	1 PLACE	±.025	±.020	DIMENSION STYLE IN/MM DRAWN BY: TWOLDEGE DATE: 2009/07/29 CHECKED BY: BWOODMAN DATE: 2009/07/29 APPROVED BY: JFMURPHY DATE: 2010/01/05	SCALE: 1:1 DESIGN UNITS: INCH THIRD ANGLE PROJECTION
			mm	INCH																
		4 PLACES	±---	±---																
		3 PLACES	±.005	±.005																
2 PLACES	±.013	±.010																		
1 PLACE	±.025	±.020																		
DRAFT WHERE APPLICABLE MUST REMAIN WITHIN DIMENSIONS			MATERIAL NO.: SEE CHART SIZE: C	TITLE: MINI CHANGE ASSEMBLY 3-POLE FEMALE 90D 16/3AWG PVC MOLEX INCORPORATED																
			THIS DRAWING CONTAINS INFORMATION THAT IS PROPRIETARY TO MOLEX INCORPORATED AND SHOULD NOT BE USED WITHOUT WRITTEN PERMISSION																	
			DOCUMENT NO.: SD-130006-015 SHEET NO.: 1 OF 1																	

