



Chipsmall Limited consists of a professional team with an average of over 10 year of expertise in the distribution of electronic components. Based in Hongkong, we have already established firm and mutual-benefit business relationships with customers from,Europe,America and south Asia,supplying obsolete and hard-to-find components to meet their specific needs.

With the principle of “Quality Parts,Customers Priority,Honest Operation,and Considerate Service”,our business mainly focus on the distribution of electronic components. Line cards we deal with include Microchip,ALPS,ROHM,Xilinx,Pulse,ON,Everlight and Freescale. Main products comprise IC,Modules,Potentiometer,IC Socket,Relay,Connector.Our parts cover such applications as commercial,industrial, and automotives areas.

We are looking forward to setting up business relationship with you and hope to provide you with the best service and solution. Let us make a better world for our industry!



Contact us

Tel: +86-755-8981 8866 Fax: +86-755-8427 6832

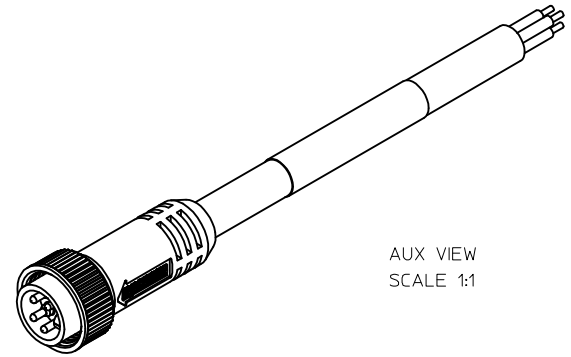
Email & Skype: info@chipsmall.com Web: www.chipsmall.com

Address: A1208, Overseas Decoration Building, #122 Zhenhua RD., Futian, Shenzhen, China



PART NUMBER	ENGINEERING NO.	LENGTH
1300060991	104002A01F030	3' +1.75 - 0 [0.9M +44.5 - 0]
1300060995	104002A01F060	6' +2.19 - 0 [1.8M +55.6 - 0]
1300061002	104002A01F120	12' +3.50 - 0 [3.7M +88.9 - 0]
1300061009	104002A01F200	20' +6.50 - 0 [6.1M +165.1 - 0]

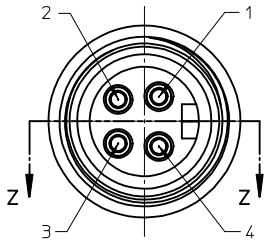
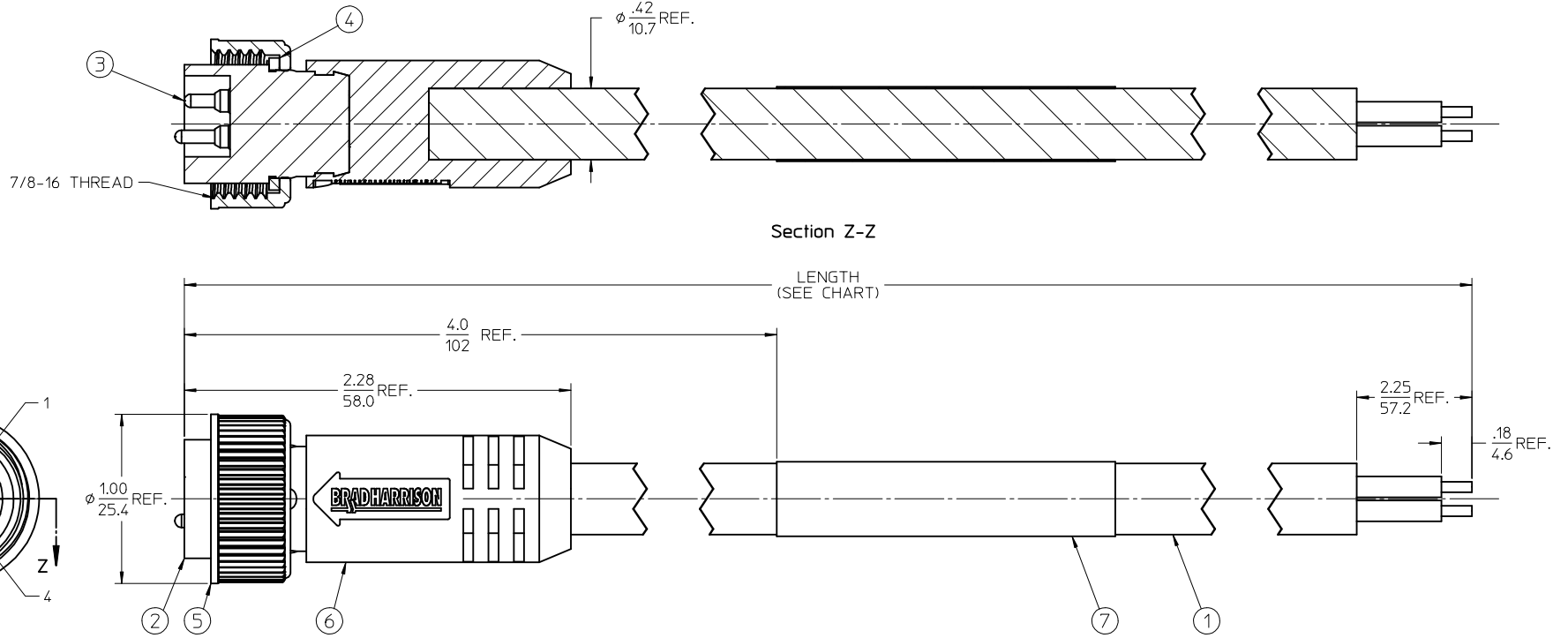
- NOTES:
1. MATERIAL: SEE TABLE
 2. FINISHES: SEE TABLE
 3. CABLE ASSEMBLIES ARE BAGGED SEPERATELY IN POLY BAGS WITH BARCODE LABEL ATTACHED TO OUTSIDE OF BAG
 4. WRAP LABEL IS MARKED WITH P/N, DATE CODE VOLTAGE & AMPERAGE
 5. MATES WITH: MINI CHANGE, A-SIZE 4 POLE RECEPTACLE
 6. ELECTRICAL SPECIFICATIONS:
VOLTAGE RATING: 600V
CURRENT RATING: 10 AMPS
 7. ASSEMBLY IS RoHS COMPLIANT



AUX VIEW
SCALE 1:1

P1	
1	BLACK
2	WHITE
3	RED
4	GREEN/YELLOW

WIRING DIAGRAM



ITEM	QTY.	DESCRIPTION	MATERIAL	FINISH
7	1	LABEL	PLASTIC FILM	BLACK/YELLOW
6	1	OVERMOLD, STRAIGHT	PVC	YELLOW
5	1	COUPLING NUT, FEMALE	ZINC DIE CAST	BLACK
4	1	FRICION RING	NYLON	WHITE
3	4	CONTACT PIN, 16 AWG	BRASS	GOLD PLATED
2	1	INSERT, MALE, 4 POLE	PVC	YELLOW
1	1	CABLE, ST00W/ST #16/4	PVC JACKET	GRAY

PURCHASING DRAWING EC NO: WNA2009-0810 DRAWN: LHARTMANN 2009/06/09 CHKD: RSTONE APPR: JFMURPHY 2009/06/08	QUALITY SYMBOLS
	▽=0
	▽=0
	DESCRIPTION

GENERAL TOLERANCES (UNLESS SPECIFIED)
mm INCH
4 PLACES ± --- ± ---
3 PLACES ± --- ±.005
2 PLACES ± --- ±.010
1 PLACE ± --- ±.020
ANGULAR ±1/2°
DRAFT WHERE APPLICABLE MUST REMAIN WITHIN DIMENSIONS

DIMENSION STYLE	SCALE	DESIGN UNITS	THIRD ANGLE PROJECTION
IN/MM	2:1	INCH	
DRAWN BY	DATE	TITLE	
LHARTMANN	2009/06/05	MINI-CHANGE PORTABLE 4 POLE MALE STRAIGHT #16/4 YELLOW ST00W/ST	
CHECKED BY	DATE	APPROVED BY	
RSTONE	2009/06/08	JFMURPHY 2009/06/08	
MATERIAL NO.	DOCUMENT NO.	SHEET NO.	
SEE CHART	SD-130006-004	1 OF 1	

MATERIAL NO.		DOCUMENT NO.		SHEET NO.	
SEE CHART		SD-130006-004		1 OF 1	
THIS DRAWING CONTAINS INFORMATION THAT IS PROPRIETARY TO MOLEX INCORPORATED AND SHOULD NOT BE USED WITHOUT WRITTEN PERMISSION					