



Chipsmall Limited consists of a professional team with an average of over 10 year of expertise in the distribution of electronic components. Based in Hongkong, we have already established firm and mutual-benefit business relationships with customers from,Europe,America and south Asia,supplying obsolete and hard-to-find components to meet their specific needs.

With the principle of “Quality Parts,Customers Priority,Honest Operation,and Considerate Service”,our business mainly focus on the distribution of electronic components. Line cards we deal with include Microchip,ALPS,ROHM,Xilinx,Pulse,ON,Everlight and Freescale. Main products comprise IC,Modules,Potentiometer,IC Socket,Relay,Connector.Our parts cover such applications as commercial,industrial, and automotives areas.

We are looking forward to setting up business relationship with you and hope to provide you with the best service and solution. Let us make a better world for our industry!



Contact us

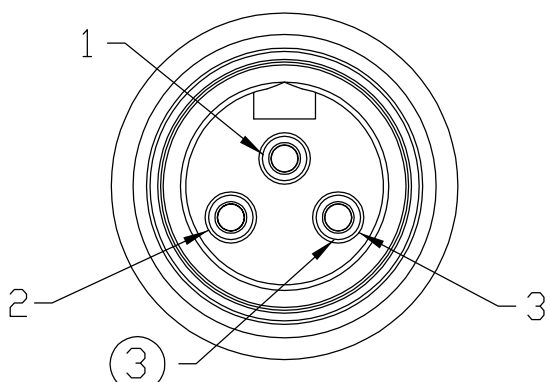
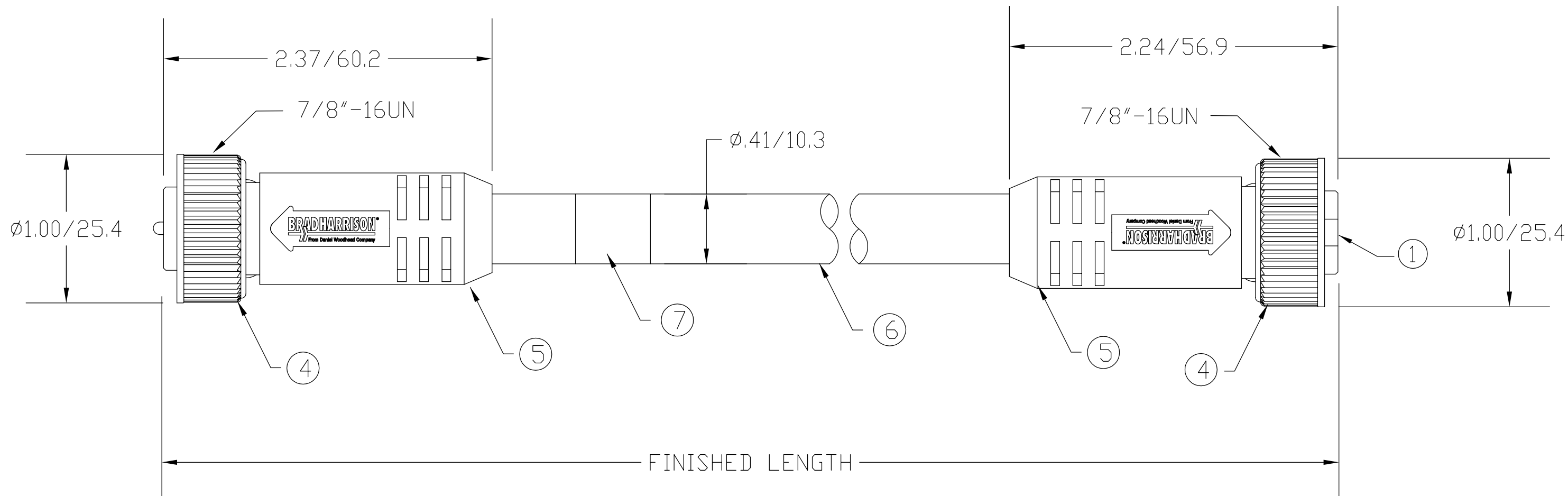
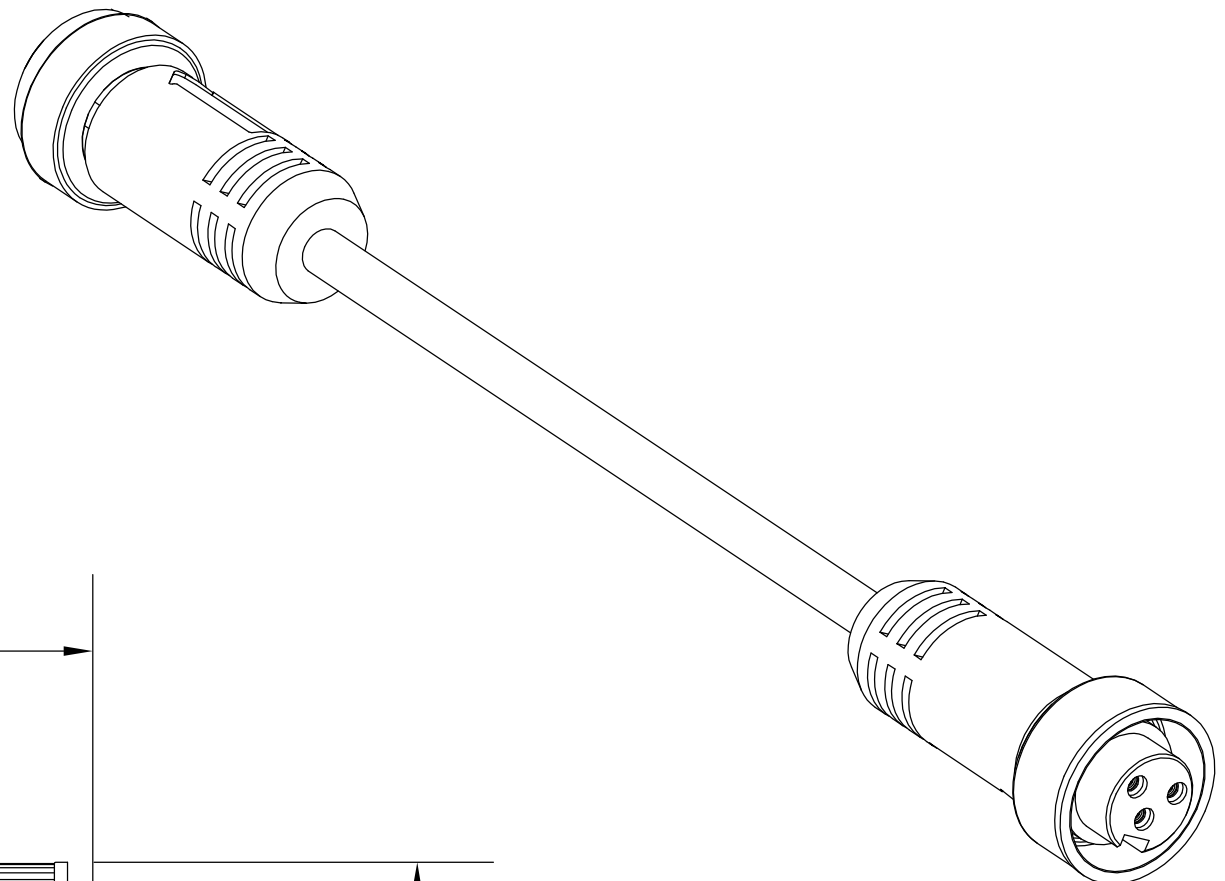
Tel: +86-755-8981 8866 Fax: +86-755-8427 6832

Email & Skype: info@chipsmall.com Web: www.chipsmall.com

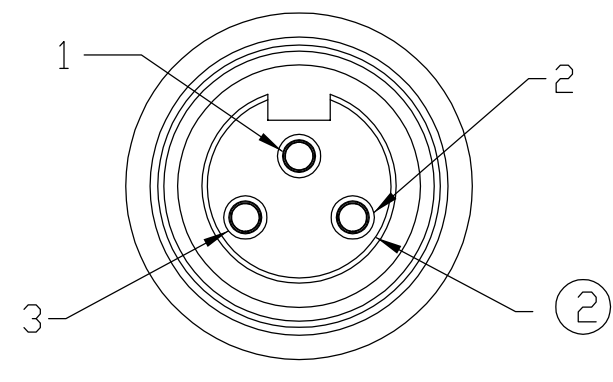
Address: A1208, Overseas Decoration Building, #122 Zhenhua RD., Futian, Shenzhen, China



MATERIAL NUMBER	OLD PART NUMBER	FINISHED LENGTH
130010-0210	113020A01F010	1.00" +.75" -0 [1.3M +19.1 -0]
130010-0214	113020A01F030	3.00' +1.75" -0 [1.9M +44.5 -0]
130010-0221	113020A01F060	6.00' +2.19" -0 [1.8M +55.6 -0]
130010-0226	113020A01F090	9.00' +3.50" -0 [2.7M +88.9 -0]
130010-0228	113020A01F120	12.00' +3.50" -0 [3.7M +88.9 -0]
130010-0233	113020A01F150	15.00' +6.50" -0 [4.6M +165.1 -0]
130010-0238	113020A01F200	20.00' +6.50" -0 [6.1M +165.1 -0]
130010-0241	113020A01F250	25.00' +12.50" -0 [7.6M +317.5 -0]



MALE FACE VIEW



FEMALE FACE VIEW

1	GREEN-YELLOW	1
2	BLACK	2
3	WHITE	3

WIRING DIAGRAM

ITEM	COMPONENT	MATERIAL	FINISH
1	INSERT	PVC	YELLOW
2	CONTACT SOCKET	COPPER ALLOY	GOLD OVER NICKEL
3	CONTACT PIN	COPPER ALLOY	GOLD OVER NICKEL
4	COUPLING NUT	ZINC DIE CAST	BLACK E-COATED
5	OVERMOLD	PVC	YELLOW
6	CABLE- 16AWG, (65 X #34 COPPER STRANDING), 3 CONDUCTOR, 600V, ST00W, ST	PVC	YELLOW
7	LABEL	MYLAR	BLACK/YELLOW

VOLTAGE RATING	600 VAC/VDC
AMPERAGE RATING	13 AMPS
PROTECTION	IP67
OPERATING TEMPERATURE	-20°C TO 105°C
UL CERTIFICATIONS	UL RECOGNIZED, FILE NO. E152210
CSA CERTIFICATIONS	CSA CERTIFIED, FILE NO. LR6837

RLSO DRAWING EC NO: WNA2009-0849 DRWN: BWOODMAN 6/10/09 CH'KD: --- APPR: JFMURPHY 2009/07/08	DESCRIPTION REV	QUALITY SYMBOL ▽=0 ◁=0	GENERAL TOLERANCES (UNLESS SPECIFIED) <table border="1"> <tr> <td></td> <td>mm</td> <td>INCH</td> </tr> <tr> <td>4 PLACES</td> <td>±----</td> <td>±----</td> </tr> <tr> <td>3 PLACES</td> <td>±----</td> <td>±----</td> </tr> <tr> <td>2 PLACES</td> <td>±----</td> <td>±.01</td> </tr> <tr> <td>1 PLACE</td> <td>±0.3</td> <td>±----</td> </tr> </table>		mm	INCH	4 PLACES	±----	±----	3 PLACES	±----	±----	2 PLACES	±----	±.01	1 PLACE	±0.3	±----	DIMENSION STYLE IN/MM	SCALE ----	DESIGN UNITS ----	THIRD ANGLE PROJECTION
			mm	INCH																		
		4 PLACES	±----	±----																		
		3 PLACES	±----	±----																		
2 PLACES	±----	±.01																				
1 PLACE	±0.3	±----																				
DRAWN BY: BW DATE: 2009/03/30 CHECKED BY: VO DATE: 2009/03/30 APPROVED BY: _____ DATE: _____	TITLE MINI-CHANGE CORDSET 3 POLE MALE/FEMALE 16 AWG PVC CABLE	MOLEX INCORPORATED	SHEET NO. 1 OF 1																			
DRAFT WHERE APPLICABLE MUST REMAIN WITHIN DIMENSIONS	SEE CHART	DOCUMENT NO. SD-130010-002	THIS DRAWING CONTAINS INFORMATION THAT IS PROPRIETARY TO MOLEX INCORPORATED AND SHOULD NOT BE USED WITHOUT WRITTEN PERMISSION																			
SIZE C																						