



Chipsmall Limited consists of a professional team with an average of over 10 year of expertise in the distribution of electronic components. Based in Hongkong, we have already established firm and mutual-benefit business relationships with customers from,Europe,America and south Asia,supplying obsolete and hard-to-find components to meet their specific needs.

With the principle of “Quality Parts,Customers Priority,Honest Operation,and Considerate Service”,our business mainly focus on the distribution of electronic components. Line cards we deal with include Microchip,ALPS,ROHM,Xilinx,Pulse,ON,Everlight and Freescale. Main products comprise IC,Modules,Potentiometer,IC Socket,Relay,Connector.Our parts cover such applications as commercial,industrial, and automotives areas.

We are looking forward to setting up business relationship with you and hope to provide you with the best service and solution. Let us make a better world for our industry!



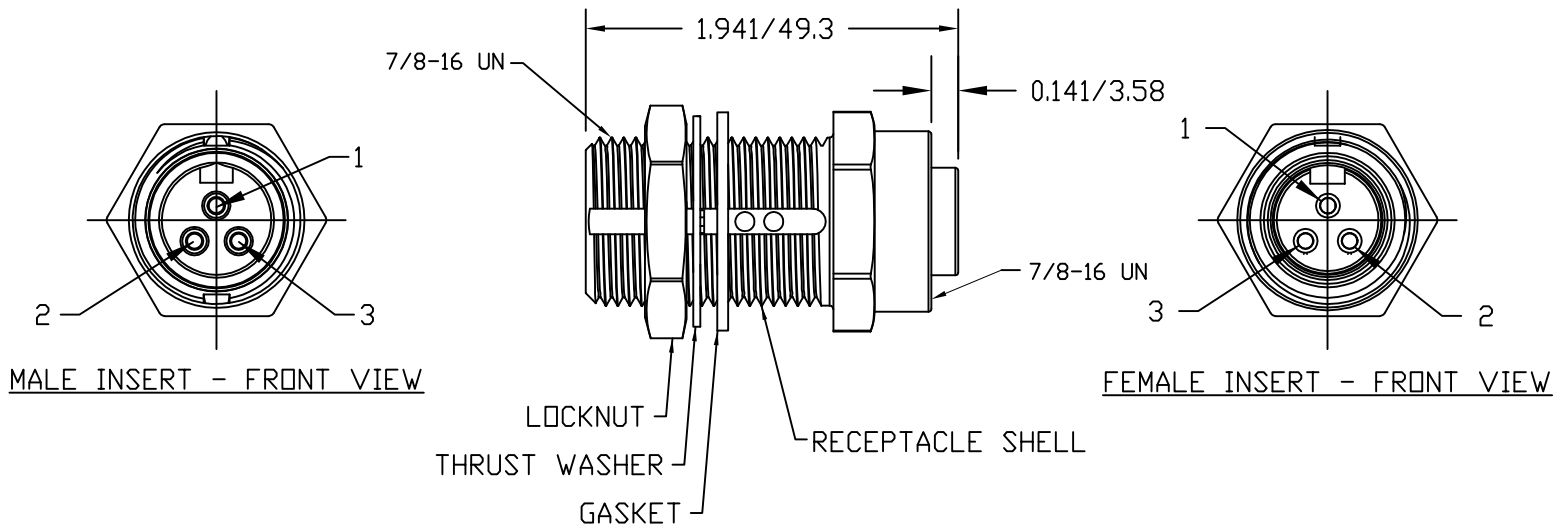
Contact us

Tel: +86-755-8981 8866 Fax: +86-755-8427 6832

Email & Skype: info@chipsmall.com Web: www.chipsmall.com

Address: A1208, Overseas Decoration Building, #122 Zhenhua RD., Futian, Shenzhen, China





NOTES:

MATERIALS:

RECEPTACLE SHELL: NICKEL PLATED BRASS
 CONTACTS: GOLD/NICKEL OVER COPPER ALLOY
 MALE INSERT: YELLOW PVC
 FEMALE INSERT: YELLOW TPE
 LOCKNUT: NICKEL PLATED BRASS
 THRUST WASHER: NYLON
 GASKET: BLACK NEOPRENE

ELECTRICAL:

CURRENT RATING: 13AMP MAX
 VOLTAGE RATING: 600V

MECHANICAL:

TEMPERATURE RANGE: -20° TO 60°C
 INGRESS PROTECTION: IP 67

AGENCY CERTIFICATIONS:

AGENCY: CSA CERTIFIED

MATERIAL NUMBER	OLD PART NUMBER
130013-0255	1R3030

ADD MAT# TO TABLE EC NO: WNA2010-0067 DRWN: BWOODMAN 7/28/09 CHKD: TW 2008/11/07 APPR: JFMURPHY 2009/08/10	QUALITY SYMBOLS ▽=0 ▽C=0	GENERAL TOLERANCES (UNLESS SPECIFIED)		DIMENSION STYLE IN/MM		SCALE	DESIGN UNITS INCH	THIRD ANGLE PROJECTION		
			mm	INCH	DRAWN BY	DATE	----	INCH		
		4 PLACES	±----	±----	BW	2009/07/28	TITLE MINI-CHANGE RECEPTACLE 3 POLE MA/FE PASS-THRU			
		3 PLACES	±----	±----	CHECKED BY	DATE	-----			
		2 PLACES	±----	±----	TW	2009/07/29	MATERIAL NO. SD-130013-011			
1 PLACE	±----	±----	APPROVED BY	DATE	DOCUMENT NO. SD-130013-011					
ANGULAR ±---°		DRAFT WHERE APPLICABLE MUST REMAIN WITHIN DIMENSIONS		SEE TABLE		SHEET NO. 1 OF 1				
SIZE A		THIS DRAWING CONTAINS INFORMATION THAT IS PROPRIETARY TO MOLEX INCORPORATED AND SHOULD NOT BE USED WITHOUT WRITTEN PERMISSION								