



Chipsmall Limited consists of a professional team with an average of over 10 year of expertise in the distribution of electronic components. Based in Hongkong, we have already established firm and mutual-benefit business relationships with customers from,Europe,America and south Asia,supplying obsolete and hard-to-find components to meet their specific needs.

With the principle of “Quality Parts,Customers Priority,Honest Operation,and Considerate Service”,our business mainly focus on the distribution of electronic components. Line cards we deal with include Microchip,ALPS,ROHM,Xilinx,Pulse,ON,Everlight and Freescale. Main products comprise IC,Modules,Potentiometer,IC Socket,Relay,Connector.Our parts cover such applications as commercial,industrial, and automotives areas.

We are looking forward to setting up business relationship with you and hope to provide you with the best service and solution. Let us make a better world for our industry!



## Contact us

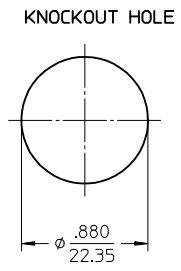
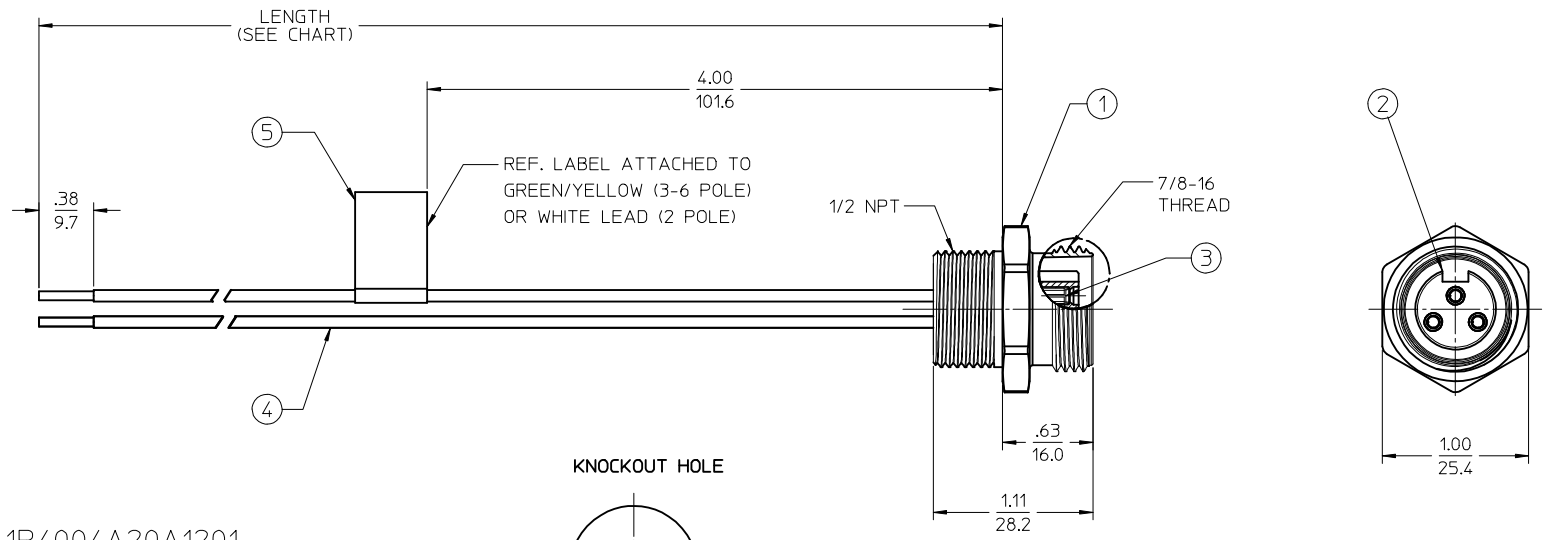
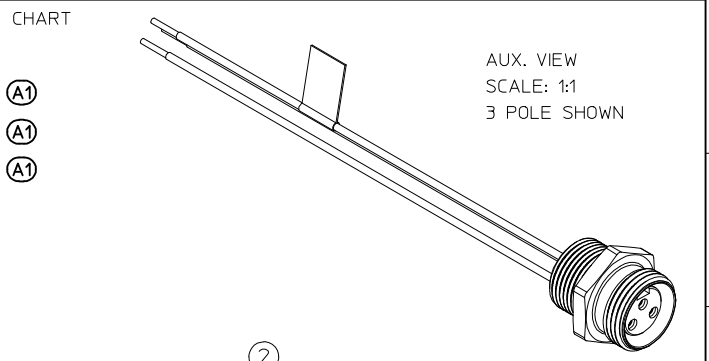
Tel: +86-755-8981 8866 Fax: +86-755-8427 6832

Email & Skype: info@chipsmall.com Web: www.chipsmall.com

Address: A1208, Overseas Decoration Building, #122 Zhenhua RD., Futian, Shenzhen, China



MATERIAL NO.	ENGINEERING NO.	LENGTH	POLES	ELECTRICAL SPECS
1300130149	1R3004A20F0601	6 FT +2.19 -0 (1.83M +55.6 -0)	3	400V PER IEC 60664, 600V PER UL 2238, 13 AMPS
1300130315	1R4004A20A1201	12.00 IN +.75 -0 (304.8mm +19.1 -0)	4	320V PER IEC 60664, 600V PER UL 2238, 10 AMPS
1300130443	1R5004A20A1201	12.00 IN +.75 -0 (304.8mm +19.1 -0)	5	320V PER IEC 60664, 600V PER UL 2238, 8 AMPS
1300130567	1R6004A20A1201	12.00 IN +.75 -0 (304.8mm +19.1 -0)	6	320V PER IEC 60664, 600V PER UL 2238, 8 AMPS



(A1) 1R4004A20A1201  
 WIRE TYPE: 16 AWG PVC FINISHED LENGTH  
 A120= 12 INCHES  
 F060= 6 FT

- NOTES:  
 1. MATERIAL: SEE TABLE  
 2. FINISHES: SEE TABLE  
 3. MATES WITH: MINI CHANGE CABLE  
 4. ELECTRICAL SPECIFICATIONS: SEE CHART  
 5. ASSEMBLY IS RoHS COMPLIANT  
 6. ALL DIMS ARE FOR REFERENCE UNLESS  
 (A1) NOTED OTHERWISE

FACE VIEW-FEMALE INSERT				
1 WHITE 2 BLACK	1 GREEN/YELLOW 2 BLACK 3 WHITE	1 BLACK 2 WHITE 3 RED 4 GREEN/YELLOW	1 WHITE 2 RED 3 GREEN/YELLOW 4 ORANGE 5 BLACK	1 WHITE 2 RED 3 GREEN/YELLOW 4 ORANGE 5 BLACK 6 BLUE

ITEM	QTY.	DESCRIPTION	MATERIAL	FINISH
5	1	LABEL	VINYL	BLACK/YELLOW
4	A/R	WIRE, 16 AWG, UL1015	PVC INSULATION	SEE FACE VIEWS
3	A/R	CONTACT SOCKET	Cu ALLOY	GOLD PLATED
2	1	INSERT	PVC	YELLOW
1	1	RECEPTACLE SHELL	ST. STEEL	PASSIVATED

WAS 12 FT. ADD 6P. NOTE 6  
 EC NO: IPG2017-0822  
 2017/02/28  
 DRWR:RSTONE  
 CHKD:K COX 2017/03/06  
 APPR:BMWOODMAN 2017/03/08

QUALITY SYMBOLS  
 ▽=0  
 ▽=0

GENERAL TOLERANCES (UNLESS SPECIFIED)  

	mm	INCH
4 PLACES ±	---	±---
3 PLACES ±	---	±---
2 PLACES ±	---	±---
1 PLACE ±	---	±---
0 PLACE ±	---	±---

 ANGULAR ± .5 °

DRAFT WHERE APPLICABLE MUST REMAIN WITHIN DIMENSIONS

DIMENSION STYLE IN/MM  
 DRAWN BY RSTONE DATE 2013/01/11  
 CHECKED BY K. JOZWIK DATE 2013/01/25  
 APPROVED BY JFMURPHY DATE 2013/03/01

SCALE 1.5:1 DESIGN UNITS INCH THIRD ANGLE PROJECTION

TITLE MINI CHANGE FEM. RECEPT. EXT THD, 16 AWG 1/2 NPT MTG THD, SS

**molex**

MATERIAL NO. SEE CHART DOCUMENT NO. SD-130013-041 SHEET NO. 1 OF 1

THIS DRAWING CONTAINS INFORMATION THAT IS PROPRIETARY TO MOLEX INCORPORATED AND SHOULD NOT BE USED WITHOUT WRITTEN PERMISSION