



Chipsmall Limited consists of a professional team with an average of over 10 year of expertise in the distribution of electronic components. Based in Hongkong, we have already established firm and mutual-benefit business relationships with customers from,Europe,America and south Asia,supplying obsolete and hard-to-find components to meet their specific needs.

With the principle of “Quality Parts,Customers Priority,Honest Operation,and Considerate Service”,our business mainly focus on the distribution of electronic components. Line cards we deal with include Microchip,ALPS,ROHM,Xilinx,Pulse,ON,Everlight and Freescale. Main products comprise IC,Modules,Potentiometer,IC Socket,Relay,Connector.Our parts cover such applications as commercial,industrial, and automotives areas.

We are looking forward to setting up business relationship with you and hope to provide you with the best service and solution. Let us make a better world for our industry!



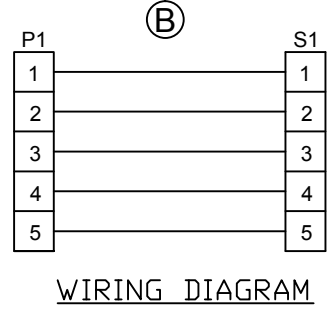
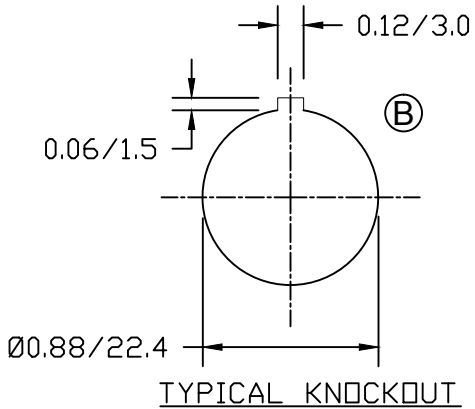
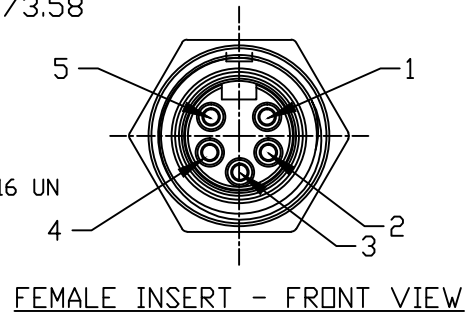
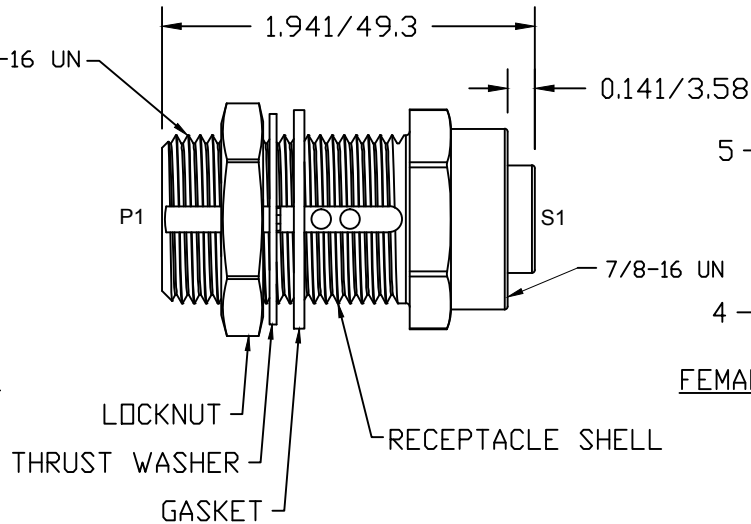
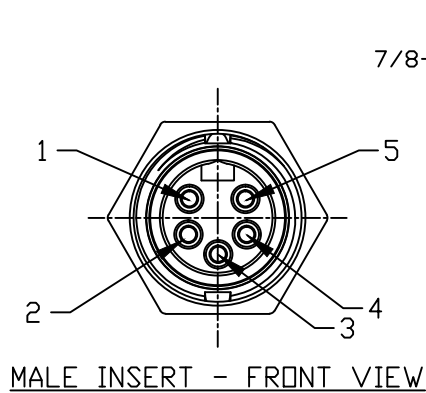
## Contact us

Tel: +86-755-8981 8866 Fax: +86-755-8427 6832

Email & Skype: info@chipsmall.com Web: www.chipsmall.com

Address: A1208, Overseas Decoration Building, #122 Zhenhua RD., Futian, Shenzhen, China





NOTES:  
 MATERIALS:  
 RECEPTACLE SHELL: NICKEL PLATED BRASS  
 CONTACTS: GOLD/NICKEL OVER COPPER ALLOY  
 MALE INSERT: YELLOW PVC  
 FEMALE INSERT: YELLOW TPE  
 LOCKNUT: NICKEL PLATED BRASS  
 THRUST WASHER: NYLON  
 GASKET: BLACK NEOPRENE

ELECTRICAL:  
 CURRENT RATING: 8AMP MAX  
 VOLTAGE RATING: 600V

MECHANICAL:  
 TEMPERATURE RANGE: -20° TO 60°C  
 INGRESS PROTECTION: IP 67

AGENCY CERTIFICATIONS:  
 AGENCY: CSA CERTIFIED

ADD KO & WIRE DIAGRAM	DESCRIPTION
EC NO: IFC2017-0838	
DRWN: MZIELINS 2017/03/07	
CHKD: ---	
APPR: BWOODMAN 2008/10/27	
REV	
B	

QUALITY SYMBOLS	GENERAL TOLERANCES (UNLESS SPECIFIED)	
	mm	INCH
▽=0	4 PLACES ±---	±---
▽C=0	3 PLACES ±---	±---
	2 PLACES ±---	±---
	1 PLACE ±---	±---
	ANGULAR ±---°	
	DRAFT WHERE APPLICABLE MUST REMAIN WITHIN DIMENSIONS	

DIMENSION STYLE	
IN/MM	
DRAWN BY	DATE
BW	2009/07/28
CHECKED BY	DATE
TW	2009/07/29
APPROVED BY	DATE
JFMURPHY	2008/10/27
MATERIAL NO.	
SEE CHART	
SIZE	
A	

MATERIAL NUMBER	OLD PART NUMBER
130013-0541	1R5030
SCALE	DESIGN UNITS
---	INCH
THIRD ANGLE PROJECTION	
TITLE	
MINI-CHANGE RECEPTACLE 5 POLE MA/FE PASS-THRU	
MATERIAL NO.	
MOLEX INCORPORATED	
DOCUMENT NO.	SHEET NO.
SD-130013-012	1 OF 1
THIS DRAWING CONTAINS INFORMATION THAT IS PROPRIETARY TO MOLEX INCORPORATED AND SHOULD NOT BE USED WITHOUT WRITTEN PERMISSION	