



Chipsmall Limited consists of a professional team with an average of over 10 year of expertise in the distribution of electronic components. Based in Hongkong, we have already established firm and mutual-benefit business relationships with customers from,Europe,America and south Asia,supplying obsolete and hard-to-find components to meet their specific needs.

With the principle of “Quality Parts,Customers Priority,Honest Operation,and Considerate Service”,our business mainly focus on the distribution of electronic components. Line cards we deal with include Microchip,ALPS,ROHM,Xilinx,Pulse,ON,Everlight and Freescale. Main products comprise IC,Modules,Potentiometer,IC Socket,Relay,Connector.Our parts cover such applications as commercial,industrial, and automotives areas.

We are looking forward to setting up business relationship with you and hope to provide you with the best service and solution. Let us make a better world for our industry!



## Contact us

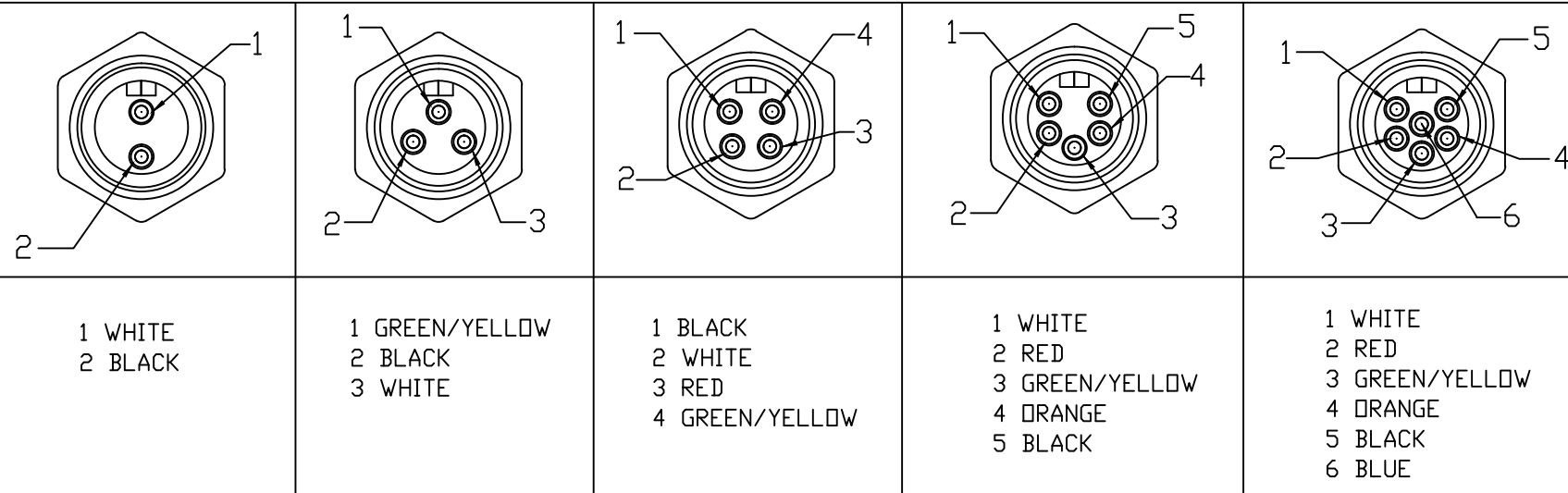
Tel: +86-755-8981 8866 Fax: +86-755-8427 6832

Email & Skype: info@chipsmall.com Web: www.chipsmall.com

Address: A1208, Overseas Decoration Building, #122 Zhenhua RD., Futian, Shenzhen, China



# FACE VIEW - MALE INSERT



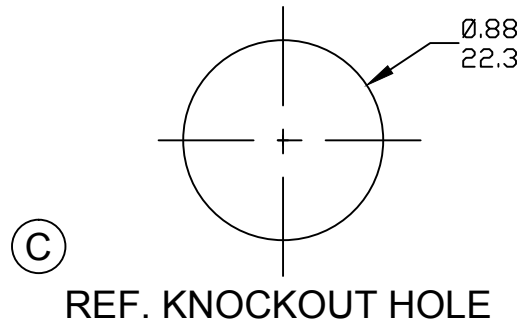
## PART NUMBER LEGEND (C)

1R3006A20F020

POLES  
2-6

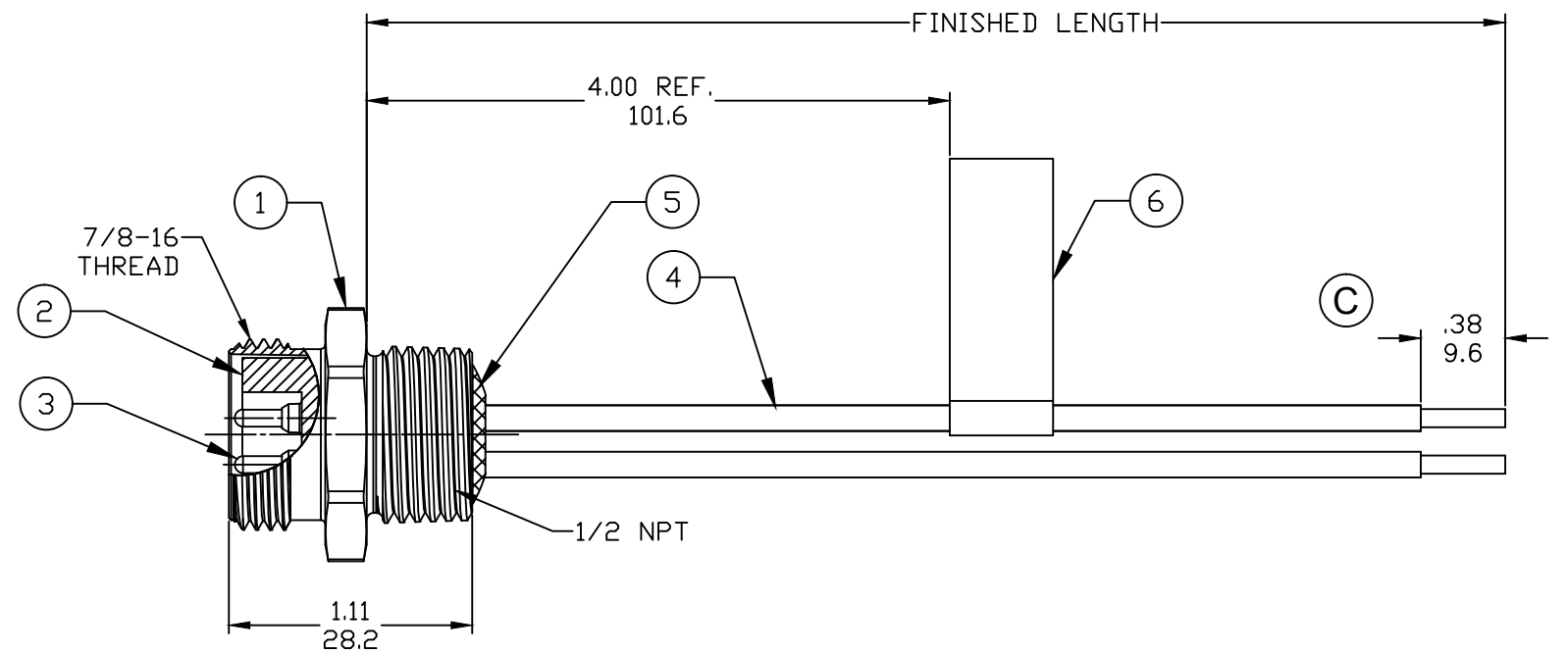
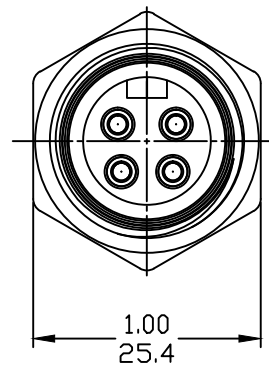
FINISHED LENGTH:  
A120= 12 IN.  
F020= 2 FEET  
F100= 10 FEET

M005= 0.5 METER  
M010= 1 METER  
M100= 10 METER



### NOTES:

- MATERIAL: AS NOTED
- FINISH: AS NOTED
- ELECTRICAL:  
VOLTAGE: 2 THRU 6P 600V PER UL 2238  
3P 400V PER IEC 60664  
4,5 & 6P 320V PER IEC 60664  
CURRENT: 2 & 3 POLE: 13A  
4 POLE: 10A  
5 & 6 POLE: 8A
- TEMP RATING: -20°TO +105°C
- PROTECTION: IP67 (WHEN MATED)
- ALL DIMS ARE FOR REFERENCE UNLESS OTHERWISE NOTED



6	LABEL	VINYL	BLACK/YELLOW
5	POTTING	EPOXY	
4	WIRE, 16 AWG, UL 1015	PVC INSUL.	SEE FACE VIEW
3	CONTACT PIN	Cu ALLOY	GOLD PLATED
2	INSERT	PVC	YELLOW
1	RECEPTACLE SHELL	ZINC DIE-CAST	BLACK E-COAT
ITEM	COMPONENT	MATERIAL	FINISH

ADD KNOCKOUT, REV PIN LEG EC NO: IPG2017-0559 DRWN: RSTONE CHKD: M ZIELI APPR: BWOODMAN	12/5/16 2016/12/12 2016/08/19	DESCRIPTION	QUALITY SYMBOLS	GENERAL TOLERANCES (UNLESS SPECIFIED)		DIMENSION STYLE		SCALE	DESIGN UNITS	THIRD ANGLE PROJECTION
			▽=0 C=0	mm	INCH	IN/MM	---	INCH		
				4 PLACES ±---	±---	DRAWN BY DATE	TITLE			
				3 PLACES ±---	±---	RSTONE 2016/08/01	MINI CHANGE RECEPTACLE MALE 2 TO 6P 16 AWG			
				2 PLACES ±---	±---	CHECKED BY DATE	MOLEX INCORPORATED			
				1 PLACE ±---	±---	APPROVED BY DATE	DOCUMENT NO.		SHEET NO.	
				ANGULAR ±1°		TWOLDEGE 2016/08/19	SD-130013-120		1 OF 1	
				DRAFT WHERE APPLICABLE MUST REMAIN WITHIN DIMENSIONS		MATERIAL NO.	THIS DRAWING CONTAINS INFORMATION THAT IS PROPRIETARY TO MOLEX INCORPORATED AND SHOULD NOT BE USED WITHOUT WRITTEN PERMISSION			
						SIZE B				