



Chipsmall Limited consists of a professional team with an average of over 10 year of expertise in the distribution of electronic components. Based in Hongkong, we have already established firm and mutual-benefit business relationships with customers from,Europe,America and south Asia,supplying obsolete and hard-to-find components to meet their specific needs.

With the principle of “Quality Parts,Customers Priority,Honest Operation,and Considerate Service”,our business mainly focus on the distribution of electronic components. Line cards we deal with include Microchip,ALPS,ROHM,Xilinx,Pulse,ON,Everlight and Freescale. Main products comprise IC,Modules,Potentiometer,IC Socket,Relay,Connector.Our parts cover such applications as commercial,industrial, and automotives areas.

We are looking forward to setting up business relationship with you and hope to provide you with the best service and solution. Let us make a better world for our industry!



Contact us

Tel: +86-755-8981 8866 Fax: +86-755-8427 6832

Email & Skype: info@chipsmall.com Web: www.chipsmall.com

Address: A1208, Overseas Decoration Building, #122 Zhenhua RD., Futian, Shenzhen, China



6

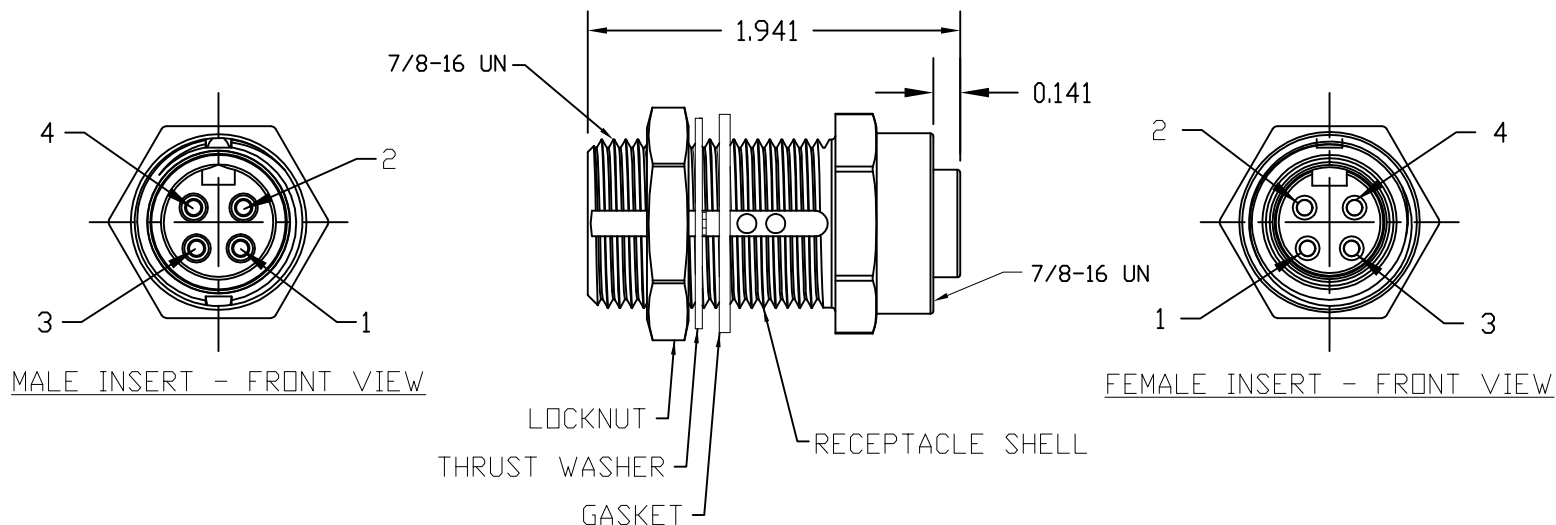
5

4

3

2

1



NOTES:

MATERIALS:

RECEPTACLE SHELL: STAINLESS STEEL OR NI PLATED BRASS
 CONTACTS: GOLD/NICKEL OVER COPPER ALLOY
 MALE INSERT: YELLOW PVC
 FEMALE INSERT: YELLOW TPE
 LOCKNUT: STAINLESS STEEL OR NI PLATED BRASS
 THRUST WASHER: NYLON
 GASKET: BLACK NEOPRENE

ELECTRICAL:

CURRENT RATING: 7AMP MAX
 VOLTAGE RATING: 300V

MECHANICAL:

TEMPERATURE RANGE: -20° TO 60°C
 INGRESS PROTECTION: IP 67

AGENCY CERTIFICATIONS:

AGENCY: CSA PENDING

PART NUMBER REFERENCE:

MATERIAL NUMBER	CONFIGURABLE NUMBER	SHELL MATERIAL
1300131001	1R40301	303 STAINLESS STEEL
1300130388	1R4030	NICKEL PLATED BRASS

E

E

D

D

C

C

B

B

A

A

ADD MAT# TO TABLE EC NO: WNA2009-0313 DRWN: LHARTMAN 2008/10/27 CHKD: YOU 2008/11/07 APPR: JFMURPHY 2008/11/10	QUALITY SYMBOLS ▽=0 ▽C=0	GENERAL TOLERANCES (UNLESS SPECIFIED)		DIMENSION STYLE	SCALE	DESIGN UNITS	THIRD ANGLE PROJECTION	
			mm	INCH	----	1:1	INCH	
		4 PLACES	±----	±----	DRAWN BY DATE	TITLE MINI-CHANGE RECEPTACLE 4 POLE MA/FE PASS-THRU		
		3 PLACES	±----	±----	LHARTMAN 2008/10/27			
2 PLACES	±----	±----	CHECKED BY DATE	MATERIAL NO. SD-130013-001				
1 PLACE	±----	±----	YOU 2008/10/27					
ANGULAR ±--°		APPROVED BY DATE		MATERIAL NO. SD-130013-001			SHEET NO. 1 OF 1	
DRAFT WHERE APPLICABLE MUST REMAIN WITHIN DIMENSIONS		JFMURPHY 2008/10/27						
SIZE A		SEE TABLE		THIS DRAWING CONTAINS INFORMATION THAT IS PROPRIETARY TO MOLEX INCORPORATED AND SHOULD NOT BE USED WITHOUT WRITTEN PERMISSION				

6

5

4

3

2

1