



Chipsmall Limited consists of a professional team with an average of over 10 year of expertise in the distribution of electronic components. Based in Hongkong, we have already established firm and mutual-benefit business relationships with customers from,Europe,America and south Asia,supplying obsolete and hard-to-find components to meet their specific needs.

With the principle of "Quality Parts,Customers Priority,Honest Operation,and Considerate Service",our business mainly focus on the distribution of electronic components. Line cards we deal with include Microchip,ALPS,ROHM,Xilinx,Pulse,ON,Everlight and Freescale. Main products comprise IC,Modules,Potentiometer,IC Socket,Relay,Connector.Our parts cover such applications as commercial,industrial, and automotives areas.

We are looking forward to setting up business relationship with you and hope to provide you with the best service and solution. Let us make a better world for our industry!



## Contact us

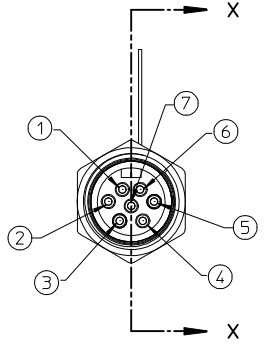
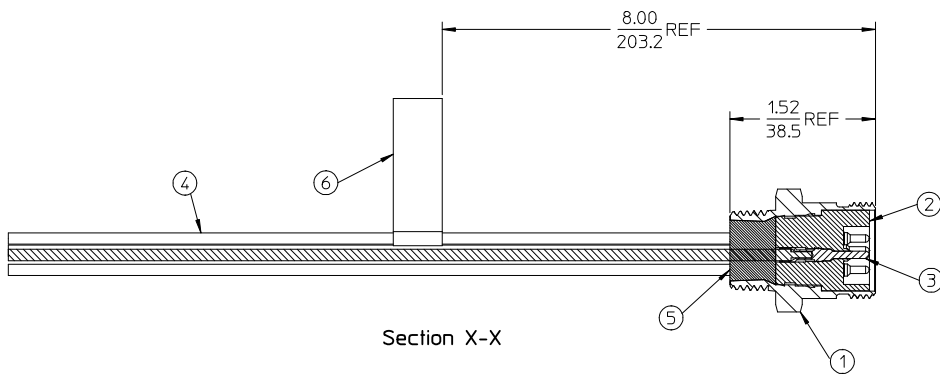
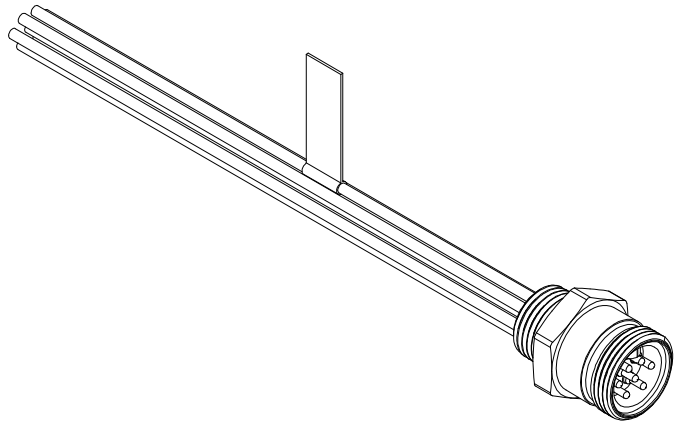
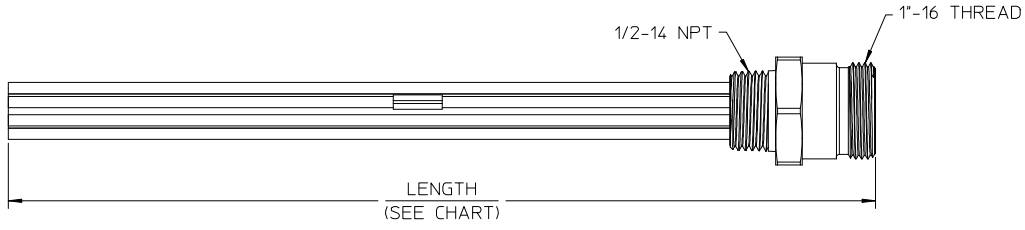
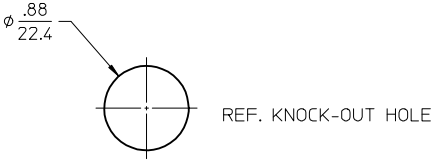
Tel: +86-755-8981 8866 Fax: +86-755-8427 6832

Email & Skype: info@chipsmall.com Web: www.chipsmall.com

Address: A1208, Overseas Decoration Building, #122 Zhenhua RD., Futian, Shenzhen, China



MATERIAL NO.	ENGINEERING NO.	LENGTH
1300140050	2R7006A20A120	12' +.75-0 [305mm +19.0-0]
1300140055	2R7006A20F060	6'0' +2.19 [1.8M +55.6-0]



1	WHITE/BLACK
2	BLACK
3	WHITE
4	RED
5	ORANGE
6	BLUE
7	GREEN/YELLOW-GND

- NOTES:
- MATERIAL: SEE TABLE
  - FINISHES: SEE TABLE
  - MATES WITH: 7/C MINI-CHANGE CORD ASSY.
  - ELECTRICAL SPECIFICATIONS:  
VOLTAGE RATING: 600V AC/DC  
CURRENT RATING: 8 AMPS
  - RoHS COMPLIANT

ITEM	QTY.	DESCRIPTION	MATERIAL	FINISH
6	1	LABEL	PLASTIC FILM	BLACK/YELLOW
5	1	POTTING	EPOXY	
4	7	WIRE, 16 AWG (UL 1015)	PVC INSULATED	SEE WIRE DIAGRAM
3	7	CONTACT PIN	BRASS	GOLD PLATED
2	1	INSERT	PVC	YELLOW
1	1	RECEPTACLE SHELL	ZINC ALLOY	E-COAT, BLACK

RELEASED	EC NO: MNA2009-0813	2009/06/09
DRWN:BRUPERT	CHKD:BRUPERT	APPR:JFMURPHY
DESCRIPTION	2009/06/10	

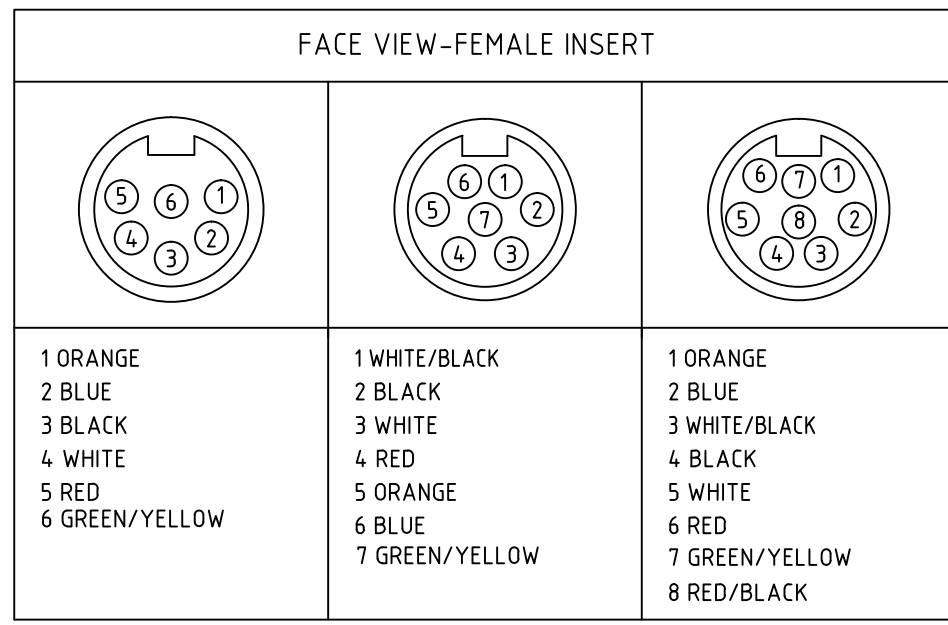
QUALITY SYMBOLS	GENERAL TOLERANCES (UNLESS SPECIFIED)
$\nabla=0$	mm
$\nabla=0$	INCH
	4 PLACES ± --- ± ---
	3 PLACES ± --- ± ---
	2 PLACES ± --- ± .01
	1 PLACE ± 0.3 ± ---
	ANGULAR ± 1/2°

DIMENSION STYLE	
IN/MM	SCALE 1:1
DRAWN BY B. RUPERT	DATE 06/05/2009
CHECKED BY B. WOODMAN	DATE 06/05/2009
APPROVED BY J. MURPHY	DATE 06/05/2009

DESIGN UNITS	THIRD ANGLE PROJECTION	TITLE
INCH		MINI-CHANGE RECEPTACLE MALE, 7 POLE 1/2 IN NPT
MATERIAL NO. SEE CHART		DOCUMENT NO. SD-130014-004
SIZE C		SHEET NO. 1 OF 1

DRAFT WHERE APPLICABLE  
MUST REMAIN  
WITHIN DIMENSIONS

THIS DRAWING CONTAINS INFORMATION THAT IS PROPRIETARY TO MOLEX INCORPORATED AND SHOULD NOT BE USED WITHOUT WRITTEN PERMISSION



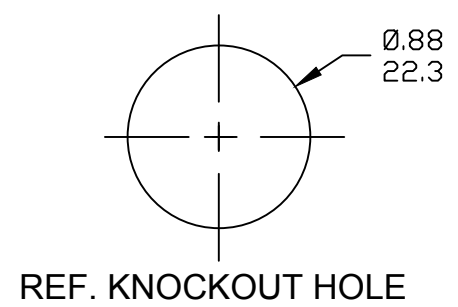
### PART NUMBER LEGEND

2R7006A20M010

POLES 6-8

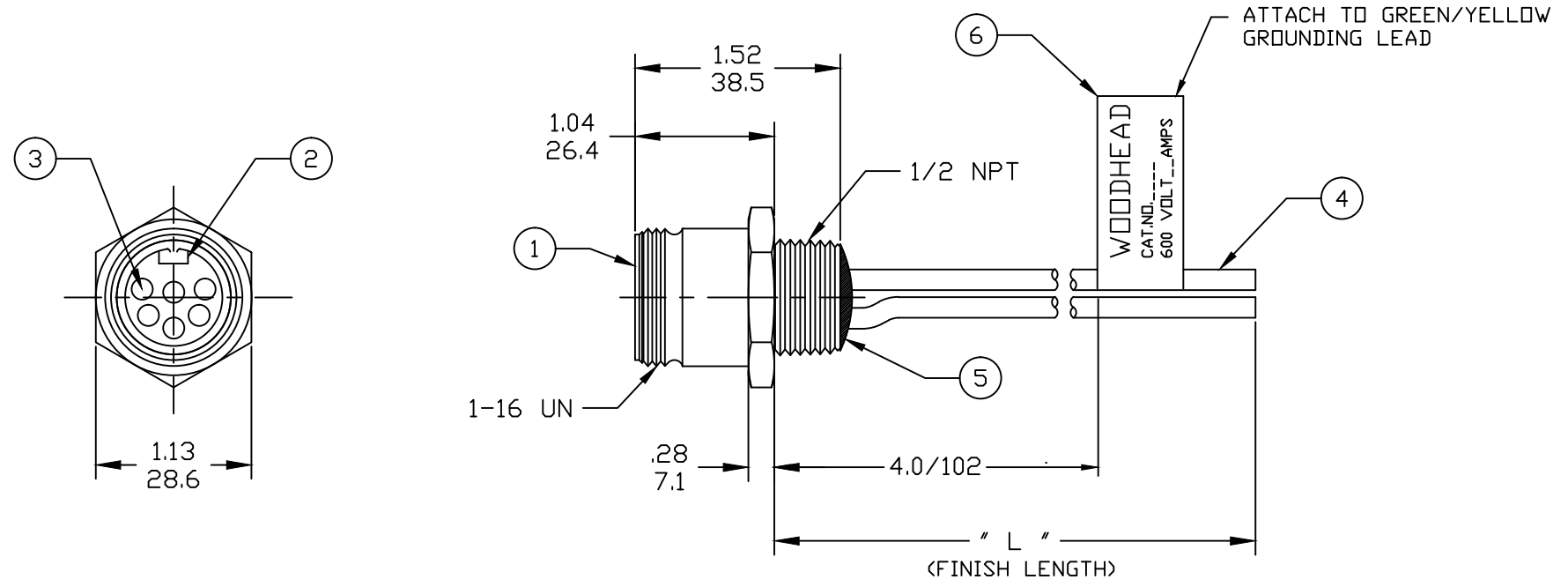
FINISHED LENGTH:  
 A120= 12 IN.  
 F020= 2 FEET  
 F100= 10 FEET

M005= 0.5 METER  
 M010= 1 METER  
 M100= 10 METER



**NOTES:**

- MATERIAL: AS NOTED
- FINISH: AS NOTED
- ELECTRICAL:  
 VOLTAGE: 6 THRU 8P 600V PER UL 2238  
 6P 320V PER IEC 60664  
 7 & 8P 250V PER IEC 60664  
 CURRENT: 6 & 7 POLE: 8A  
 8 POLE: 7A
- TEMP RATING: -20°TO +105°C
- PROTECTION: IP67 (WHEN MATED)
- ALL DIMS ARE FOR REFERENCE UNLESS OTHERWISE NOTED



ITEM	COMPONENT	MATERIAL	FINISH
6	LABEL	VINYL	BLACK/YELLOW
5	POTTING	EPOXY	
4	WIRE, 16 AWG, UL 1015	PVC INSUL.	SEE FACE VIEW
3	CONTACT PIN	Cu ALLOY	GOLD PLATED
2	INSERT	PVC	YELLOW
1	RECEPTACLE SHELL	ZINC DIE-CAST	BLACK E-COAT

EC NO: IPG2017-0559 DRWN: RSTONE 2016/12/07 CHKD: M ZIELIN 2016/12/12 APPR: BWOODMAN 2017/01/16	REV DESCRIPTION	QUALITY SYMBOLS ▽=0 ∇=0	GENERAL TOLERANCES (UNLESS SPECIFIED)		DIMENSION STYLE INCH/MM		SCALE ---	DESIGN UNITS INCH	THIRD ANGLE PROJECTION	
				mm	INCH	DRAWN BY DATE	<b>MINI-CHANGE RECEPTACLE          MALE 6 TO 8 POLE          16 AWG</b>			
				4 PLACES	±---	±---				
				3 PLACES	±---	±---	CHECKED BY DATE			
			2 PLACES	±---	±---	M ZIELIN 2016/12/12				
			1 PLACE	±---	±---	APPROVED BY DATE				
			ANGULAR ±1/2°		BWOODMAN 2017/01/16		<b>MOLEX INCORPORATED</b>			
			DRAFT WHERE APPLICABLE MUST REMAIN WITHIN DIMENSIONS		MATERIAL NO. ---		DOCUMENT NO. SD-130014-010		SHEET NO. 1 OF 1	
A					THIS DRAWING CONTAINS INFORMATION THAT IS PROPRIETARY TO MOLEX INCORPORATED AND SHOULD NOT BE USED WITHOUT WRITTEN PERMISSION					