



Chipsmall Limited consists of a professional team with an average of over 10 year of expertise in the distribution of electronic components. Based in Hongkong, we have already established firm and mutual-benefit business relationships with customers from,Europe,America and south Asia,supplying obsolete and hard-to-find components to meet their specific needs.

With the principle of “Quality Parts,Customers Priority,Honest Operation,and Considerate Service”,our business mainly focus on the distribution of electronic components. Line cards we deal with include Microchip,ALPS,ROHM,Xilinx,Pulse,ON,Everlight and Freescale. Main products comprise IC,Modules,Potentiometer,IC Socket,Relay,Connector.Our parts cover such applications as commercial,industrial, and automotives areas.

We are looking forward to setting up business relationship with you and hope to provide you with the best service and solution. Let us make a better world for our industry!



## Contact us

Tel: +86-755-8981 8866 Fax: +86-755-8427 6832

Email & Skype: info@chipsmall.com Web: www.chipsmall.com

Address: A1208, Overseas Decoration Building, #122 Zhenhua RD., Futian, Shenzhen, China





# Receptacles

#16 AWG PVC 12-inch Leads – U.S. color code, epoxy potted  
 Black epoxy coat zinc diecast shell design  
 Use in control panels, junction boxes and sensors

	6P	7P	8P
MALE FACE VIEW			
COLOR CODE	1- orange 2- blue 3- black 4- white 5- red 6- green-gnd	1- white-black trace 2- black 3- white 4- red 5- orange 6- blue 7- green-gnd	1- orange 2- blue 3- white-black trace 4- black 5- white 6- red 7- green-gnd 8- red-black trace
VOLTAGE	600V AC/DC	600V AC/DC	600V AC/DC
CURRENT	8A	8A	7A
CONDUCTOR	#16-6	#16-7	#16-8

MALE	FIG	RECEPTACLES WITH #16 AWG PVC LEADS 12 INCHES LONG		
STRAIGHT WITH 1/2"-14NPT	2	2R6006A20A120	2R7006A20A120	2R8006A20A120
FEMALE	FIG	RECEPTACLES WITH #16 AWG PVC LEADS 12 INCHES LONG		
STRAIGHT WITH 1/2"-14NPT	1	2R6004A20A120	2R7004A20A120	2R8004A20A120

PART NO.	ACCESSORIES
5601	Lockout 1/2"-14NPT, zinc plated steel
5611	Gasket, black neoprene

## CATALOG OPTIONS

Use the following chart to modify your part's specifications

2R6006A20A1201

**LEAD LENGTH**

3' .....	F030
6' .....	F060

**SHELL**

STAINLESS STEEL . . . . .ADD 1

# Specifications



**MECHANICAL**

SHELL: ZINC DIECAST W/ BLACK EPOXY COAT, OPTIONAL STAINLESS STEEL TYPE 303

INSERT: PVC - UL STD 94 - V0  
 CONDUCTORS: #16 AWG PVC INSULATION OVER 26 X #30 COPPER STRANDING, 600V, UL STYLE 1015 CSA TEW

**ELECTRICAL**

VOLTAGE RATING: 600 V AC/DC  
 AMPERAGE: 6P - 8A  
 7P - 8A  
 8P - 7A

**ENVIRONMENTAL**

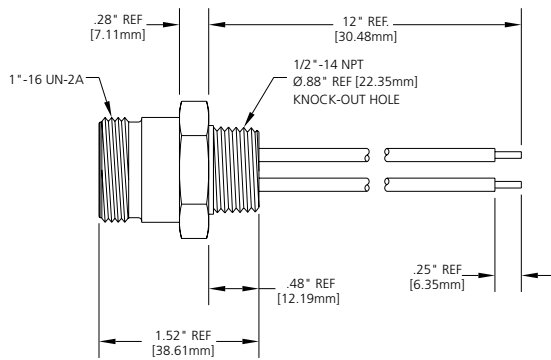
PROTECTION: IP 68, NEMA 6P  
 AMBIENT OPERATING TEMP: -4° to 221° F (-20° to 105° C)

**CERTIFICATIONS**

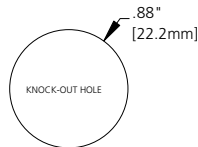
UL: UL RECOGNIZED, FILE NO. E46237  
 CSA: CSA CERTIFIED, FILE NO. LR6837

## RECEPTACLE DIMENSIONS

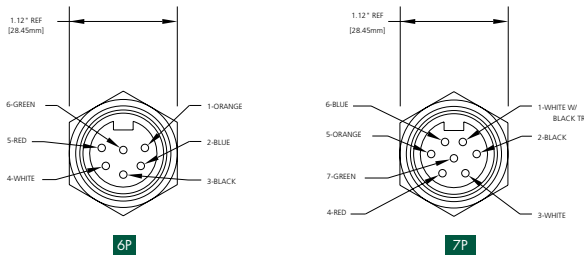
### FEMALE STRAIGHT WITH 1/2" - 14NPT



TYPICAL KNOCKOUT

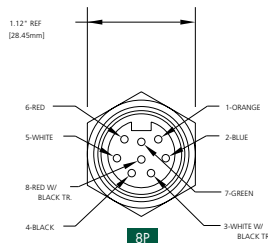


FEMALE FACE VIEW



6P

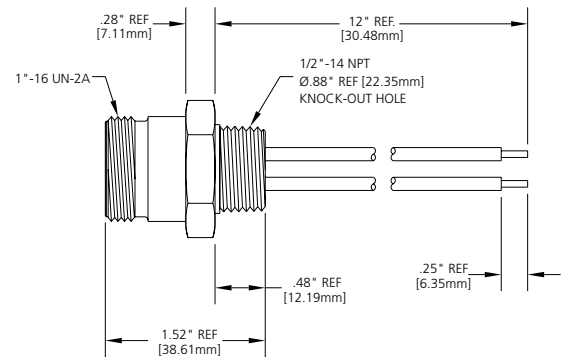
7P



8P

FIG 1

### MALE STRAIGHT WITH 1/2" - 14NPT



TYPICAL KNOCKOUT

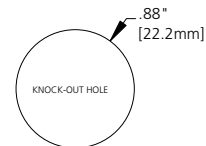


FIG 2