



Chipsmall Limited consists of a professional team with an average of over 10 year of expertise in the distribution of electronic components. Based in Hongkong, we have already established firm and mutual-benefit business relationships with customers from,Europe,America and south Asia,supplying obsolete and hard-to-find components to meet their specific needs.

With the principle of “Quality Parts,Customers Priority,Honest Operation,and Considerate Service”,our business mainly focus on the distribution of electronic components. Line cards we deal with include Microchip,ALPS,ROHM,Xilinx,Pulse,ON,Everlight and Freescale. Main products comprise IC,Modules,Potentiometer,IC Socket,Relay,Connector.Our parts cover such applications as commercial,industrial, and automotives areas.

We are looking forward to setting up business relationship with you and hope to provide you with the best service and solution. Let us make a better world for our industry!



Contact us

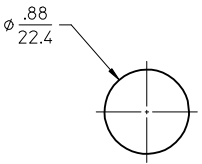
Tel: +86-755-8981 8866 Fax: +86-755-8427 6832

Email & Skype: info@chipsmall.com Web: www.chipsmall.com

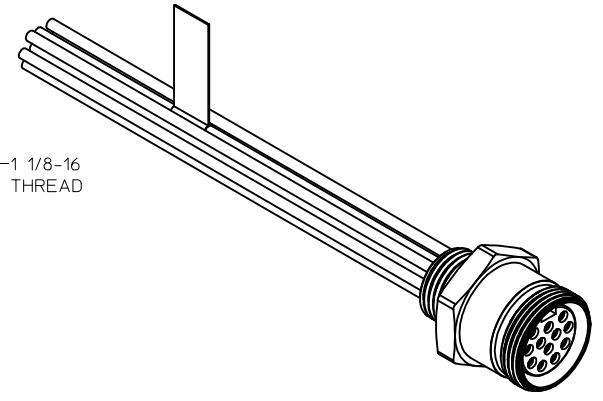
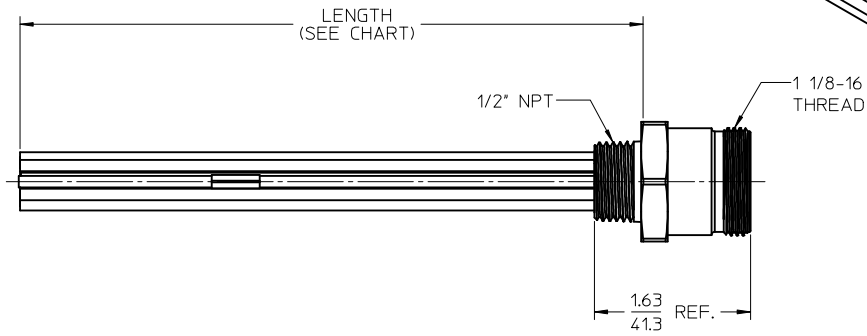
Address: A1208, Overseas Decoration Building, #122 Zhenhua RD., Futian, Shenzhen, China



MATERIAL NO.	ENGINEERING NO.	LENGTH
1300150054	3R2004A20A120	12' +.75-0 [305mm +19.0-0]
1300150062	3R2004A20F060	6'0' +2.19-0 [1.8M +55.6-0]



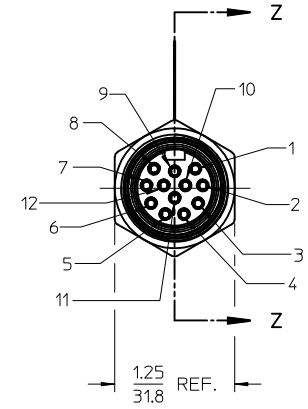
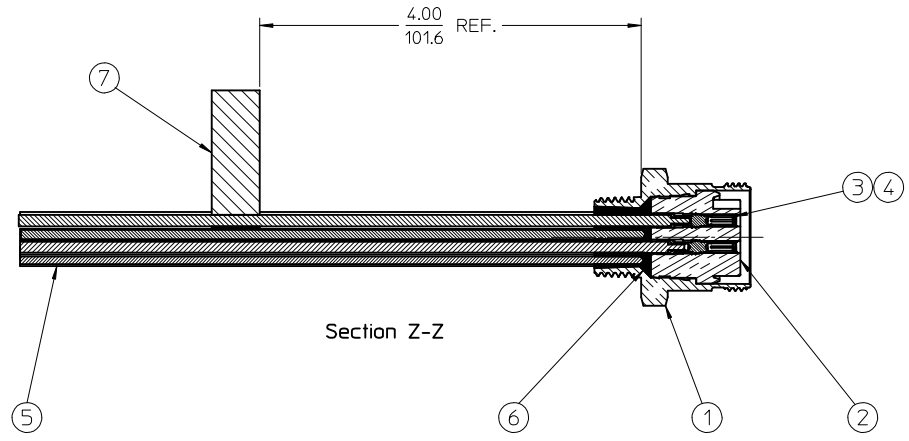
REF. KNOCK-OUT HOLE



- NOTES:
1. MATERIAL: SEE TABLE
 2. FINISHES: SEE TABLE
 3. MATES WITH: NONE
 4. ELECTRICAL SPECIFICATIONS:
VOLTAGE RATING: 600V AC/DC
CURRENT RATING: 5 AMPS
 5. RoHS COMPLIANT

1	ORANGE
2	BLUE
3	WHITE-BLACK
4	RED-BLACK
5	GREEN-BLACK
6	ORANGE-BLACK
7	BLUE-BLACK
8	BLACK-WHITE
9	GREEN-YELLOW
10	RED
11	WHITE
12	BLACK

WIRING DIAGRAM



ITEM	QTY.	DESCRIPTION	MATERIAL	FINISH
7	1	LABEL	PLASTIC FILM	BLACK/YELLOW
6	1	POTTING	EPOXY	
5	12	WIRE, 16 AWG (UL 1015)	PVC INSULATED	SEE WIRE DIAGRAM
4	12	SOCKET SLEEVE	ST.STEEL	
3	12	CONTACT SOCKET	BRASS	GOLD PLATED
2	1	INSERT	PVC	YELLOW
1	1	RECEPTACLE SHELL	ZINC ALLOY	BLACK

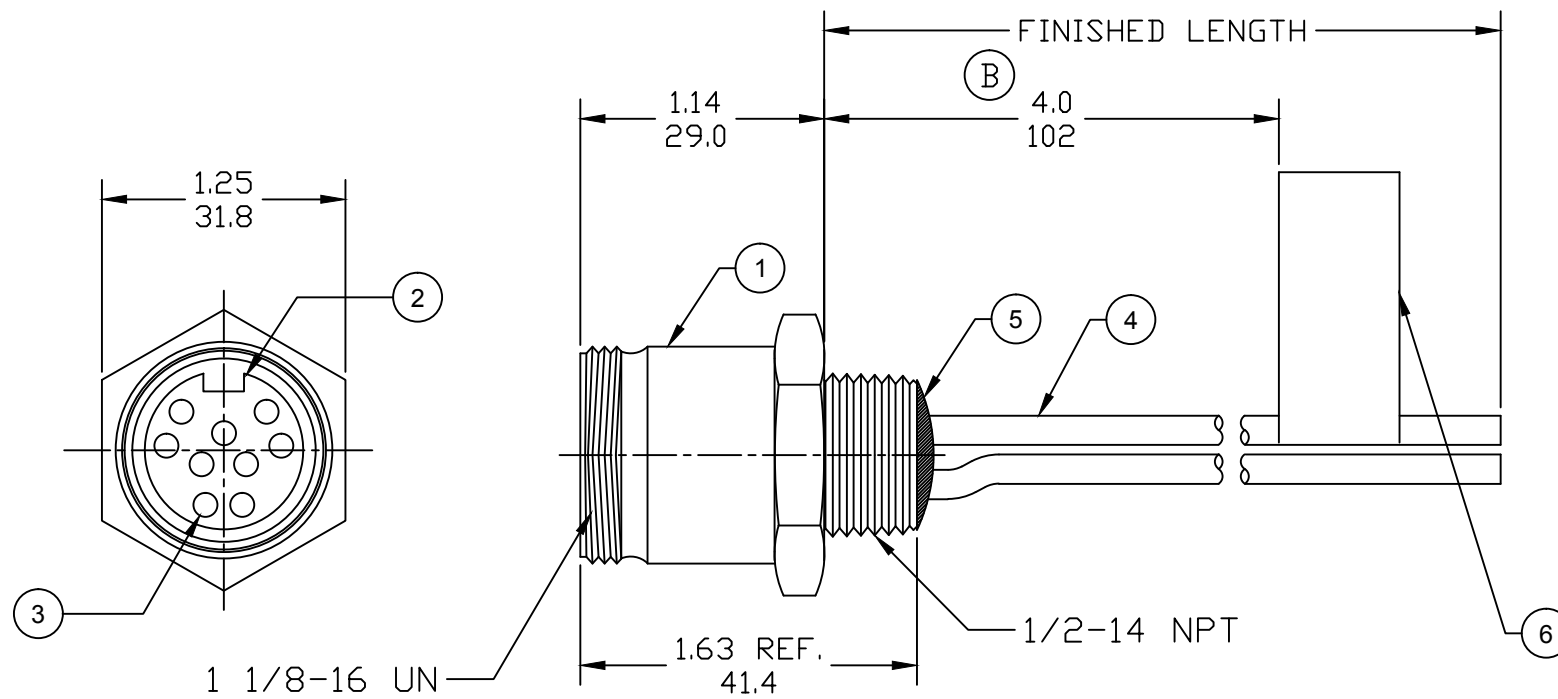
RELEASED	EC NO: MNA2010-0101	2009/08/17
DRWR:RSTONE	CHKD:B.WOODMAN	APPR:J.MURPHY
REV	DESCRIPTION	DATE
A		2009/08/20

QUALITY SYMBOLS	GENERAL TOLERANCES (UNLESS SPECIFIED)	
	mm	INCH
▽=0	4 PLACES ± .005	± .005
▽=0	3 PLACES ± .005	± .005
	2 PLACES ± .005	± .01
	1 PLACE ± 0.3	± .005
	ANGULAR ± 1/2°	
	DRAFT WHERE APPLICABLE MUST REMAIN WITHIN DIMENSIONS	

DIMENSION STYLE	
IN/MM	
DRAWN BY	DATE
R.STONE	2009/08/17
CHECKED BY	DATE
B.WOODMAN	2009/08/17
APPROVED BY	DATE
J.MURPHY	2009/08/20
MATERIAL NO.	
SEE CHART	
SIZE	
C	

SCALE	DESIGN UNITS	THIRD ANGLE PROJECTION
1:1	INCH	
TITLE		
MC RECEPTACLE, FEMALE 12 POLE, 1/2" NPT		
MOLEX INCORPORATED		
DOCUMENT NO.	SHEET NO.	
SD-130015-007	1 OF 1	
THIS DRAWING CONTAINS INFORMATION THAT IS PROPRIETARY TO MOLEX INCORPORATED AND SHOULD NOT BE USED WITHOUT WRITTEN PERMISSION		

FACE VIEW-FEMALE INSERT		
1 ORANGE 2 BLUE 3 RED/BLACK 4 GREEN/BLACK 5 WHITE 6 RED 7 GREEN/YELLOW 8 WHITE/BLACK 9 BLACK	1 ORANGE 2 BLUE 3 WHITE/BLACK 4 RED/BLACK 5 GREEN/BLACK 6 ORANGE/BLACK 7 RED 8 GREEN/YELLOW 9 BLACK 10 WHITE	1 ORANGE 2 BLUE 3 WHITE/BLACK 4 RED/BLACK 5 GREEN/BLACK 6 ORANGE/BLACK 7 BLUE/BLACK 8 BLACK/WHITE 9 GREEN/YELLOW 10 RED 11 WHITE 12 BLACK



- NOTES:**
- MATERIAL:** AS NOTED
 - FINISH:** AS NOTED
 - ELECTRICAL:**
 VOLTAGE: 250V PER IEC60664
 600V PER UL2238
 CURRENT: 9 POLE: 7A
 10 POLE: 7A
 12 POLE: 5A
 - TEMP RATING:** -20°TO +105°C
 - PROTECTION:** IP67 (WHEN MATED)
 - DIMS ARE FOR REFERENCE UNLESS OTHERWISE NOTED**

PART NUMBER LEGEND

3R1004A20F0101

POLES: 9= 9 POLES, 1=10 POLES, 2=12 POLES

COUPLING: BLANK= STD (SEE BOM), 1= 303 STAINLESS ST.

LENGTH: A120= 12 INCHES, F001= .1 FT, F020= 2 FT, F200= 20 FT

M005= 0.5 METER, M010= 1 METER, M100= 10 METER

ITEM	DESCRIPTION	MATERIAL	FINISH
6	FLAG LABEL	VINYL	BLACK/YELLOW
5	POTTING MATERIAL	EPOXY	
4	WIRE, 16 AWG UL (1015)	PVC INSULATION	SEE CHART
3	CONTACT SOCKET	COPPER ALLOY	GOLD PLATED
2	FEMALE INSERT (C-SIZE)	PVC	YELLOW
1	RECEPTACLE SHELL	ZINC DIE-CAST	BLACK

REVD NOTES 3 & 6, PIN LEGEND EC NO: IPG2017-0578 DRWN: RSTONE 12/8/16 CHKD: K COX 2016/12/15 APPR: BWOODMAN 2016/08/19	QUALITY SYMBOLS ▽=0 ▽C=0	GENERAL TOLERANCES (UNLESS SPECIFIED)		DIMENSION STYLE IN/MM		SCALE ---	DESIGN UNITS INCH	THIRD ANGLE PROJECTION	
		4 PLACES	±---	±---	DRAWN BY	DATE	TITLE MINI-CHANGE RECEPTACLE 9, 10 & 12 POLE, FEMALE 16 AWG		
		3 PLACES	±---	±---	CHECKED BY	DATE			
		2 PLACES	±---	±---	APPROVED BY	DATE			
1 PLACE	±---	±---	TWOLDEGE	2016/08/19					
DRAFT WHERE APPLICABLE MUST REMAIN WITHIN DIMENSIONS				MATERIAL NO. -		DOCUMENT NO. SD-130015-026		SHEET NO. 1 OF 1	
SIZE B		THIS DRAWING CONTAINS INFORMATION THAT IS PROPRIETARY TO MOLEX INCORPORATED AND SHOULD NOT BE USED WITHOUT WRITTEN PERMISSION							