



Chipsmall Limited consists of a professional team with an average of over 10 year of expertise in the distribution of electronic components. Based in Hongkong, we have already established firm and mutual-benefit business relationships with customers from,Europe,America and south Asia,supplying obsolete and hard-to-find components to meet their specific needs.

With the principle of “Quality Parts,Customers Priority,Honest Operation,and Considerate Service”,our business mainly focus on the distribution of electronic components. Line cards we deal with include Microchip,ALPS,ROHM,Xilinx,Pulse,ON,Everlight and Freescale. Main products comprise IC,Modules,Potentiometer,IC Socket,Relay,Connector.Our parts cover such applications as commercial,industrial, and automotives areas.

We are looking forward to setting up business relationship with you and hope to provide you with the best service and solution. Let us make a better world for our industry!



Contact us

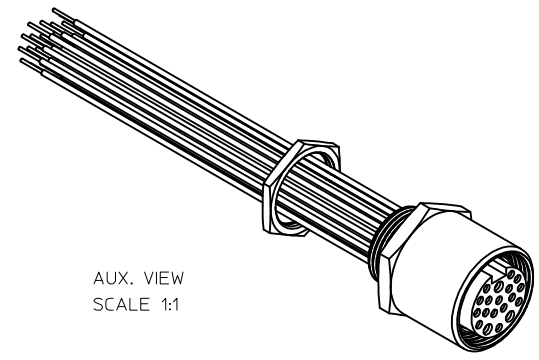
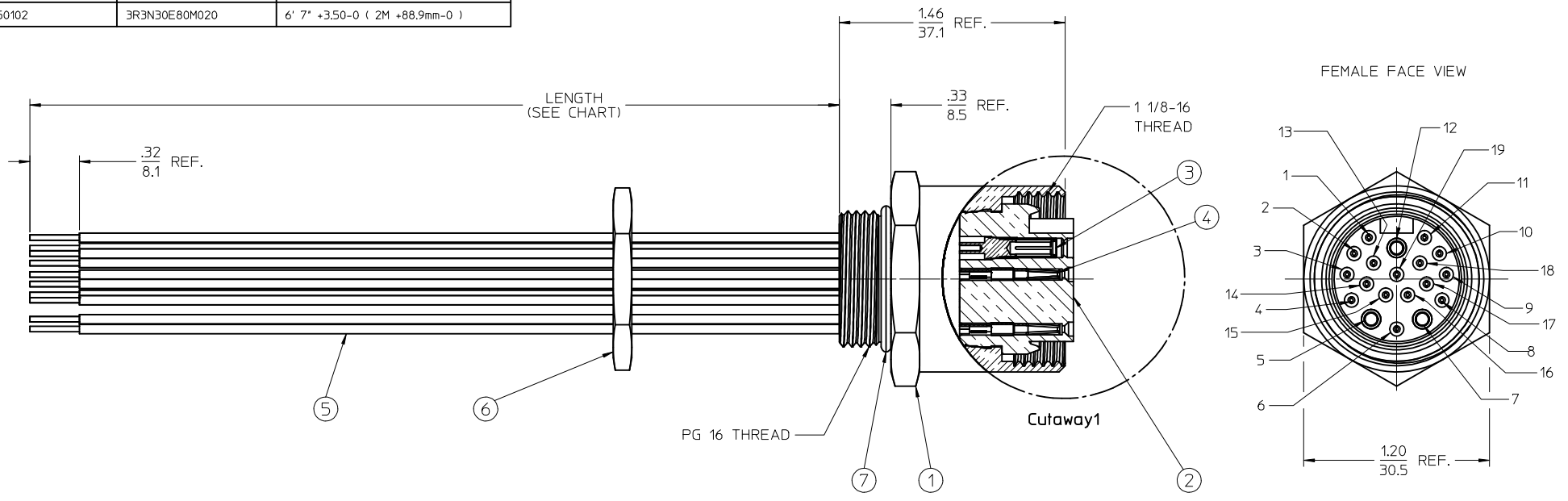
Tel: +86-755-8981 8866 Fax: +86-755-8427 6832

Email & Skype: info@chipsmall.com Web: www.chipsmall.com

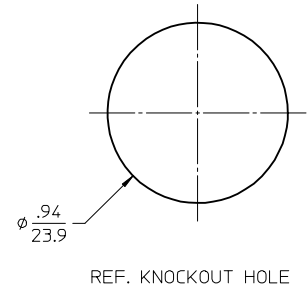
Address: A1208, Overseas Decoration Building, #122 Zhenhua RD., Futian, Shenzhen, China



MATERIAL NO.	ENGINEERING NO.	LENGTH
1300150098	3R3N30E80C300	1' 0" +.75 -0 (.3M +19.1mm-0)
1300150102	3R3N30E80M020	6' 7" +3.50-0 (2M +88.9mm-0)



NOTES:
 1. MATERIAL: SEE TABLE
 2. FINISHES: SEE TABLE
 3. MATES WITH 19 POLE MALE MINI-CHANGE
 4. ELECTRICAL SPECIFICATIONS:
 VOLTAGE RATING: 300V AC/DC
 CURRENT RATING: 2 AMPS
 5. ASSEMBLY IS RoHS COMPLIANT



WIRING DIAGRAM	
VIOLET	1
RED	2
GRAY	3
RED/BLUE	4
BLUE (-VE)	5
GREEN	6
BROWN (+VE)	7
WHITE/GREEN	8
WHITE/YELLOW	9
WHITE/GRAY	10
BLACK	11
YELLOW/GREEN (GRD)	12
YELLOW/BROWN	13
BROWN/GREEN	14
WHITE	15
YELLOW	16
PINK	17
GRAY/BROWN	18
GRAY/PINK	19

ITEM	QTY.	DESCRIPTION	MATERIAL	FINISH
7	1	O-RING	NITRILE	BLACK
6	1	LOCKNUT, PG16	BRASS	NICKEL PLATED
5	19	WIRE, 22 AWG	PVC INSULATION	SEE WIRE DIAGRAM
4	16	CONTACT SOCKET, 20 AWG	Cu ALLOY	GOLD PLATED
3	3	CONTACT SOCKET/SLEEVE ASSY, 18 AWG	BRASS/SS	GOLD PLATED
2	1	INSERT, FEMALE, 19 POLE	PVC	YELLOW
1	1	RECEPTACLE SHELL	ALUMINUM	GRAY ANODIZE

RELEASED	EC NO: MNA2010-0113	2009/08/21
DRWNR:STONE	CHKD:R. WOODMAN	APPR:J.MURPHY
DESCRIPTION	2009/08/21	

QUALITY SYMBOLS	GENERAL TOLERANCES (UNLESS SPECIFIED)
▽=0	4 PLACES ± --- ± ---
▽=0	3 PLACES ± --- ± ---
	2 PLACES ± --- ± .01
	1 PLACE ± 0.3 ± ---
	ANGULAR ± 1/2°

DIMENSION STYLE	
IN/MM	
DRAWN BY	DATE
R.STONE	2009/08/20
CHECKED BY	DATE
B.WOODMAN	2009/08/21
APPROVED BY	DATE
J.MURPHY	2009/08/25

SCALE	DESIGN UNITS	THIRD ANGLE PROJECTION
2:1	INCH	☉
MINI-CHANGE 19 POLE RECEPTACLE ASSEMBLY FEMALE		
MOLEX INCORPORATED		
MATERIAL NO.	DOCUMENT NO.	SHEET NO.
SEE CHART	SD-130015-008	1 OF 1