



Chipsmall Limited consists of a professional team with an average of over 10 year of expertise in the distribution of electronic components. Based in Hongkong, we have already established firm and mutual-benefit business relationships with customers from,Europe,America and south Asia,supplying obsolete and hard-to-find components to meet their specific needs.

With the principle of “Quality Parts,Customers Priority,Honest Operation,and Considerate Service”,our business mainly focus on the distribution of electronic components. Line cards we deal with include Microchip,ALPS,ROHM,Xilinx,Pulse,ON,Everlight and Freescale. Main products comprise IC,Modules,Potentiometer,IC Socket,Relay,Connector.Our parts cover such applications as commercial,industrial, and automotives areas.

We are looking forward to setting up business relationship with you and hope to provide you with the best service and solution. Let us make a better world for our industry!



## Contact us

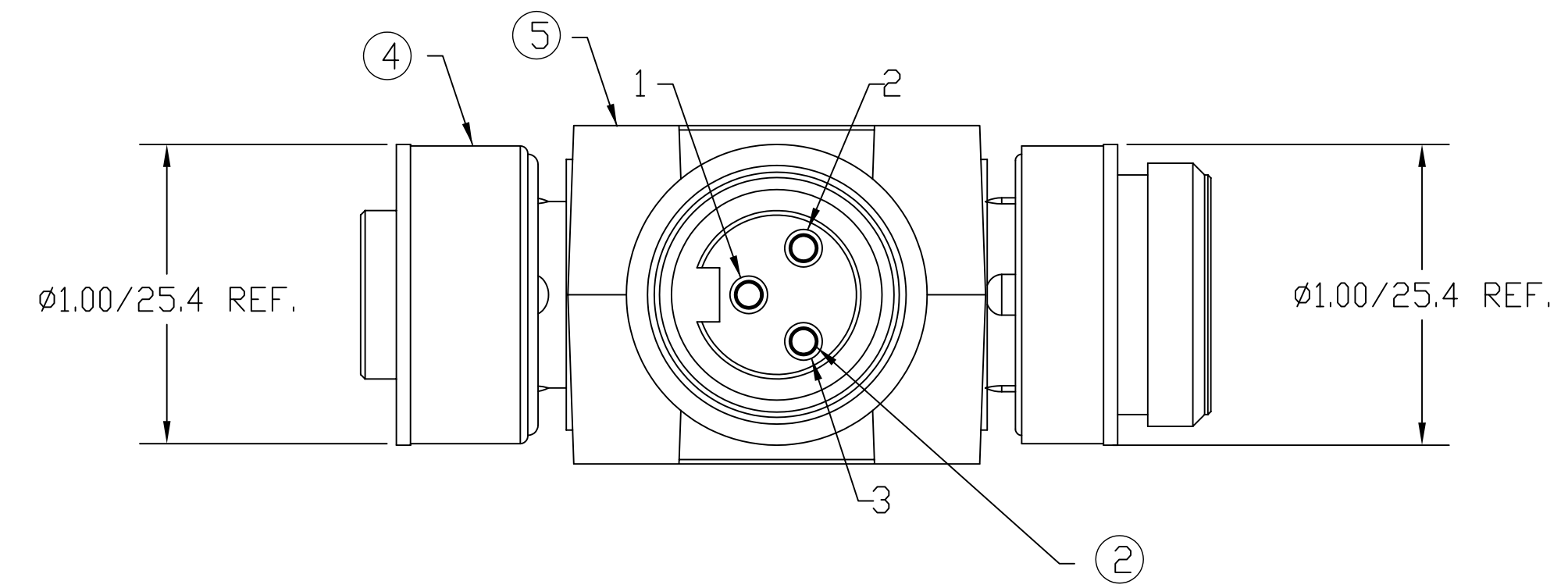
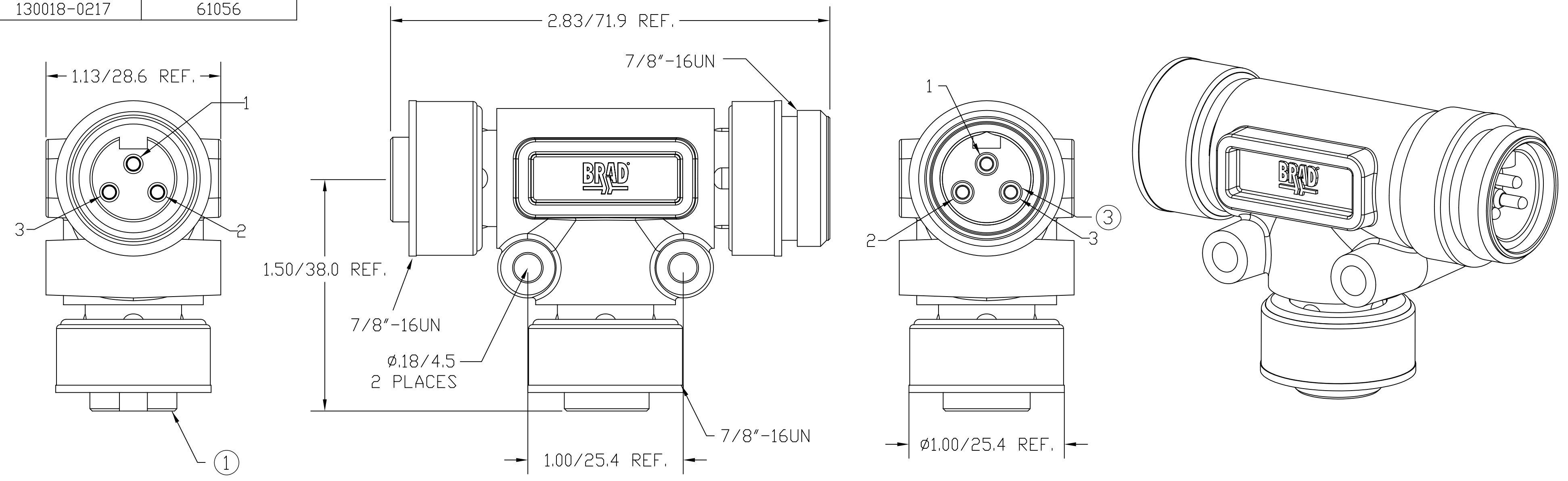
Tel: +86-755-8981 8866 Fax: +86-755-8427 6832

Email & Skype: info@chipsmall.com Web: www.chipsmall.com

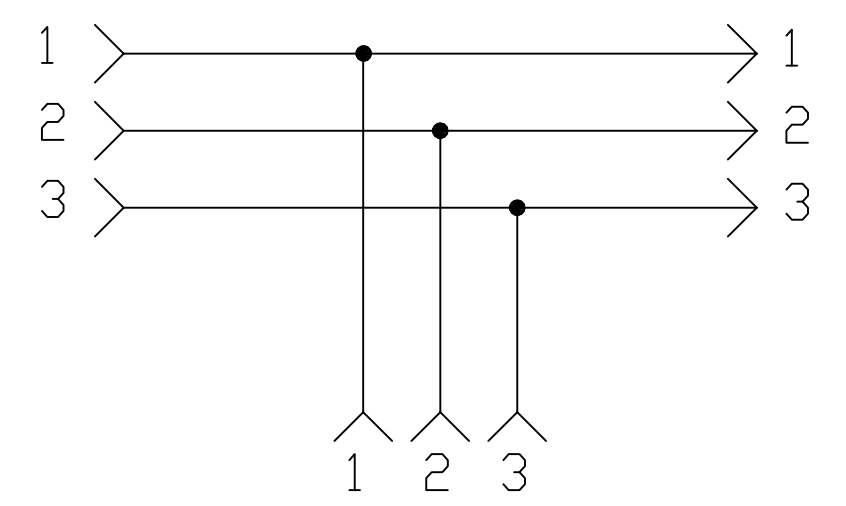
Address: A1208, Overseas Decoration Building, #122 Zhenhua RD., Futian, Shenzhen, China



| MATERIAL NUMBER | OLD PART NUMBER |
|-----------------|-----------------|
| 130018-0217     | 61056           |



SCHEMATIC



|                       |                                 |
|-----------------------|---------------------------------|
| VOLTAGE RATING        | 600 VAC/VDC                     |
| AMPERAGE RATING       | 10 AMPS                         |
| PROTECTION            | IP67                            |
| OPERATING TEMPERATURE | -20°C TO 80°C                   |
| UL CERTIFICATIONS     | UL RECOGNIZED, FILE NO. E152210 |
| CSA CERTIFICATIONS    | CSA CERTIFIED, FILE NO. LR6837  |

| ITEM | COMPONENT      | MATERIAL      | FINISH           |
|------|----------------|---------------|------------------|
| 1    | INSERT         | TPE           | YELLOW           |
| 2    | CONTACT SOCKET | COPPER ALLOY  | GOLD OVER NICKEL |
| 3    | CONTACT PIN    | COPPER ALLOY  | GOLD OVER NICKEL |
| 4    | COUPLING NUT   | ZINC DIE CAST | BLACK E-COATED   |
| 5    | OVERMOLD       | TPE           | YELLOW           |

RLSO DRAWING  
 EC NO: WNA2010-0430  
 DRWN: BWOODMAN2010/01/11  
 CH'KD: LHARTMAN  
 APPR: JFMURPHY 2010/01/15  
 DESCRIPTION  
 REV

|          | GENERAL TOLERANCES (UNLESS SPECIFIED) |       |
|----------|---------------------------------------|-------|
|          | mm                                    | INCH  |
| 4 PLACES | ±---                                  | ±---  |
| 3 PLACES | ±---                                  | ±.005 |
| 2 PLACES | ±0.13                                 | ±.010 |
| 1 PLACE  | ±0.25                                 | ±.020 |

ANGULAR ±1/2°  
 DRAFT WHERE APPLICABLE  
 MUST REMAIN WITHIN DIMENSIONS

DIMENSION STYLE  
 IN/MM  
 DRAWN BY DATE  
 CHECKED BY DATE  
 LHARTMAN 2010/01/11  
 APPROVED BY DATE  
 JFMURPHY 2010/01/15  
 MATERIAL NO.  
 1300350057

SCALE 1:1  
 DESIGN UNITS INCH  
 THIRD ANGLE PROJECTION  
**MINI-CHANGE 3-POLE TEE PARALLEL WIRING**  
 MOLEX INCORPORATED  
 DOCUMENT NO. SD-130018-006  
 SHEET NO. 1 OF 1  
 THIS DRAWING CONTAINS INFORMATION THAT IS PROPRIETARY TO MOLEX INCORPORATED AND SHOULD NOT BE USED WITHOUT WRITTEN PERMISSION