



Chipsmall Limited consists of a professional team with an average of over 10 year of expertise in the distribution of electronic components. Based in Hongkong, we have already established firm and mutual-benefit business relationships with customers from,Europe,America and south Asia,supplying obsolete and hard-to-find components to meet their specific needs.

With the principle of “Quality Parts,Customers Priority,Honest Operation,and Considerate Service”,our business mainly focus on the distribution of electronic components. Line cards we deal with include Microchip,ALPS,ROHM,Xilinx,Pulse,ON,Everlight and Freescale. Main products comprise IC,Modules,Potentiometer,IC Socket,Relay,Connector.Our parts cover such applications as commercial,industrial, and automotives areas.

We are looking forward to setting up business relationship with you and hope to provide you with the best service and solution. Let us make a better world for our industry!



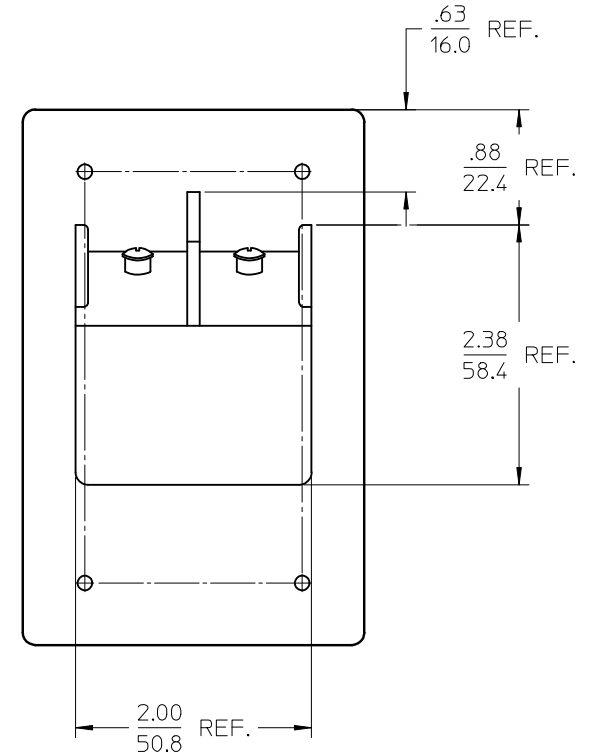
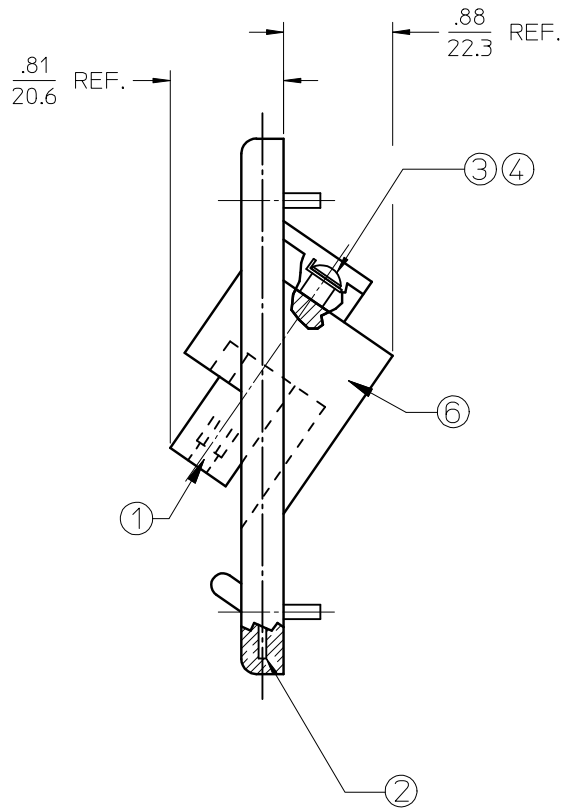
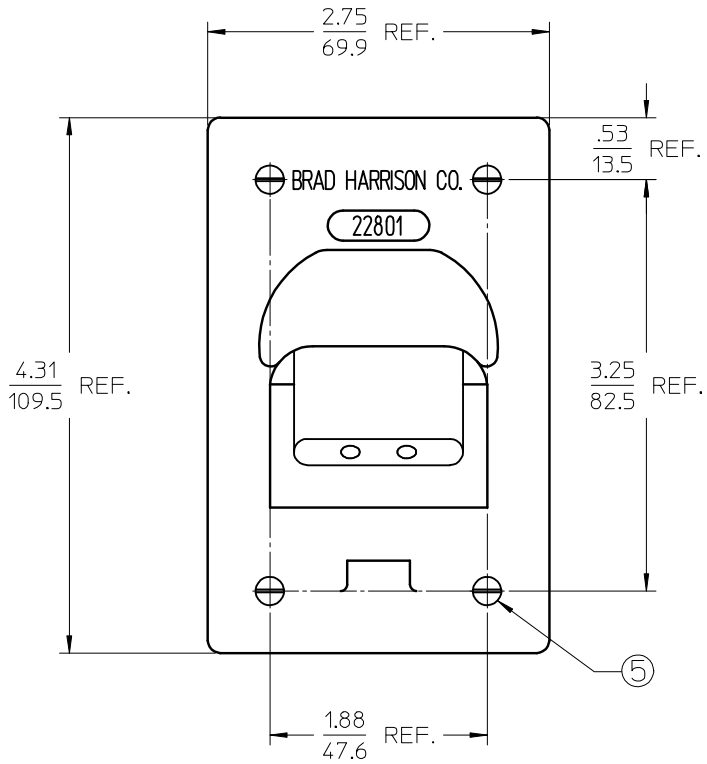
Contact us

Tel: +86-755-8981 8866 Fax: +86-755-8427 6832

Email & Skype: info@chipsmall.com Web: www.chipsmall.com

Address: A1208, Overseas Decoration Building, #122 Zhenhua RD., Futian, Shenzhen, China





MATERIAL NO.	ENGINEERING NO.	ELECTRICAL RATING
1300190001	22801	VOLTAGE: 600VAC, CURRENT: 25 AMPS

ITEM	QTY.	DESCRIPTION	MATERIAL	FINISH
6	1	OVERMOLD	RUBBER	YELLOW
5	4	6-32 BINDING HD SCREW	STEEL	NICKEL PLATE
4	2	CUPPED WASHER	BRASS	NICKEL PLATE
3	2	8-32 SCREW	BRASS	
2	1	SUPPORT PLATE	CRS	ZINC PLATE
1	2	SOCKET ASSEMBLY (3/16 DIA)	BRASS	

NEW SALES DOC
 EC NO: ICG2013-0880
 DRAWN BY: DRWINRSTONE 2013/01/15
 CHECKED BY: JOZWIK 2013/01/25
 APPR: JFMURPHY 2013/03/01

QUALITY SYMBOLS
 ▼=0
 ▽=0

GENERAL TOLERANCES (UNLESS SPECIFIED)

	mm	INCH
4 PLACES	± .005	± .0005
3 PLACES	± .005	± .0005
2 PLACES	± .005	± .0005
1 PLACE	± 0.5	± .005
0 PLACE	± .005	± .0005

ANGULAR ± 2 °

DRAFT WHERE APPLICABLE MUST REMAIN WITHIN DIMENSIONS

DIMENSION STYLE IN/MM

DRAWN BY: RSTONE DATE: 2013/01/15

CHECKED BY: K. JOZWIK DATE: 2013/01/25

APPROVED BY: JFMURPHY DATE: 2013/03/01

MATERIAL NO. SEE CHART

SCALE 1:1

DESIGN UNITS INCH

THIRD ANGLE PROJECTION

**DIE BLOCK
 ANGLE RECEPTACLE
 FEMALE, 2 POLE-YELLOW**

molex

DOCUMENT NO. SD-130019-001

SHEET NO. 1 OF 1

THIS DRAWING CONTAINS INFORMATION THAT IS PROPRIETARY TO MOLEX INCORPORATED AND SHOULD NOT BE USED WITHOUT WRITTEN PERMISSION