



Chipsmall Limited consists of a professional team with an average of over 10 year of expertise in the distribution of electronic components. Based in Hongkong, we have already established firm and mutual-benefit business relationships with customers from,Europe,America and south Asia,supplying obsolete and hard-to-find components to meet their specific needs.

With the principle of “Quality Parts,Customers Priority,Honest Operation,and Considerate Service”,our business mainly focus on the distribution of electronic components. Line cards we deal with include Microchip,ALPS,ROHM,Xilinx,Pulse,ON,Everlight and Freescale. Main products comprise IC,Modules,Potentiometer,IC Socket,Relay,Connector.Our parts cover such applications as commercial,industrial, and automotives areas.

We are looking forward to setting up business relationship with you and hope to provide you with the best service and solution. Let us make a better world for our industry!



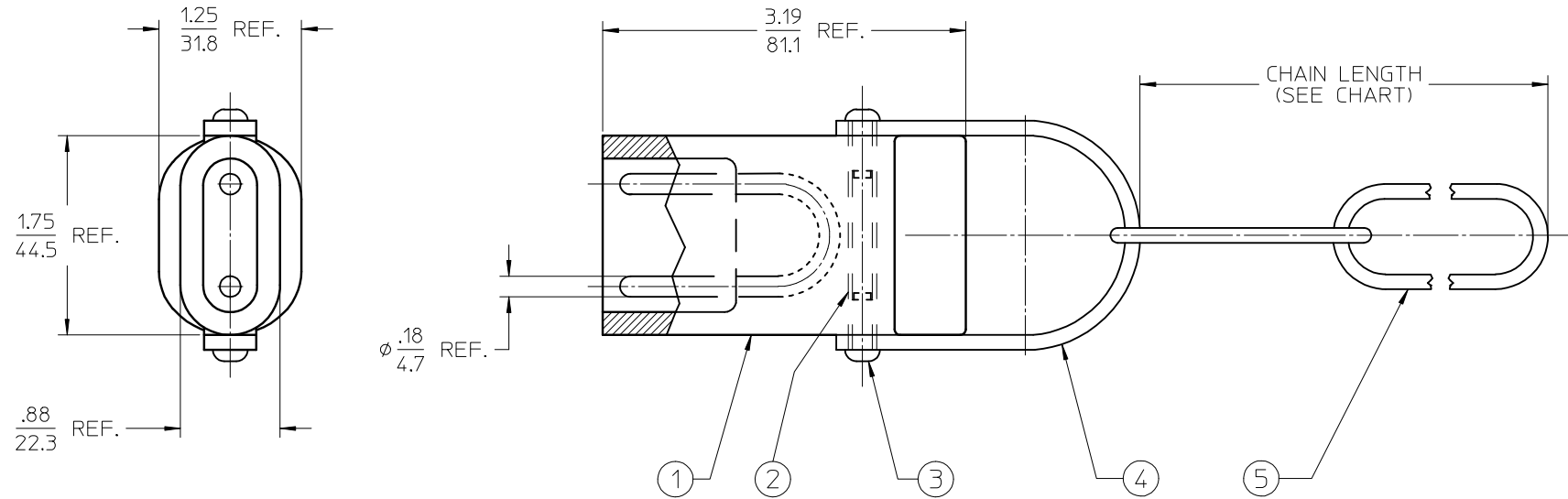
## Contact us

Tel: +86-755-8981 8866 Fax: +86-755-8427 6832

Email & Skype: info@chipsmall.com Web: www.chipsmall.com

Address: A1208, Overseas Decoration Building, #122 Zhenhua RD., Futian, Shenzhen, China





MATERIAL NO.	ENGINEERING NO.	CHAIN LENGTH	ELECTRICAL RATING
1300190003	22803	1 FT.	VOLTAGE: 600VAC, CURRENT: 25 AMPS
1300190004	22804	2 FT.	
1300190005	22805	3 FT.	

ITEM	QTY.	DESCRIPTION	MATERIAL	FINISH
5	A/R	CHAIN	STEEL	ZINC PLATE
4	1	YOKE	STEEL	ZINC PLATE
3	2	#10 X 1/2 RD HD DRIVE SCREW	STEEL	ZINC PLATE
2	1	SPACER TUBE	CRS	
1	1	SHORTING PLUG ASSEMBLY	BRASS (PIN)	

**NEW SALES DOC**  
 EC NO: ICG2013-0880  
 DRAWN BY: DRWHRSTONE 2013/01/15  
 CHKDK: JOZWIK 2013/01/25  
 APPR: JFMURPHY 2013/03/01

QUALITY SYMBOLS  
 ▽=0  
 ▽=0

GENERAL TOLERANCES (UNLESS SPECIFIED)

	mm	INCH
4 PLACES	± .005	± .0005
3 PLACES	± .005	± .0005
2 PLACES	± .005	± .0005
1 PLACE	± .005	± .0005
0 PLACE	± .005	± .0005

ANGULAR ± 2°  
 DRAFT WHERE APPLICABLE  
 MUST REMAIN WITHIN DIMENSIONS

DIMENSION STYLE: IN/MM  
 DRAWN BY: RSTONE DATE: 2013/01/15  
 CHECKED BY: K. JOZWIK DATE: 2013/01/25  
 APPROVED BY: JFMURPHY DATE: 2013/03/01

SCALE: 1:1  
 DESIGN UNITS: INCH  
 THIRD ANGLE PROJECTION  
**TITLE**  
 DIE BLOCK SHORTING PLUG ASSEMBLY  
 2 POLE, FEMALE  
**molex**  
 MATERIAL NO. SEE CHART  
 DOCUMENT NO. SD-130019-002  
 SHEET NO. 1 OF 1