



Chipsmall Limited consists of a professional team with an average of over 10 year of expertise in the distribution of electronic components. Based in Hongkong, we have already established firm and mutual-benefit business relationships with customers from,Europe,America and south Asia,supplying obsolete and hard-to-find components to meet their specific needs.

With the principle of “Quality Parts,Customers Priority,Honest Operation,and Considerate Service”,our business mainly focus on the distribution of electronic components. Line cards we deal with include Microchip,ALPS,ROHM,Xilinx,Pulse,ON,Everlight and Freescale. Main products comprise IC,Modules,Potentiometer,IC Socket,Relay,Connector.Our parts cover such applications as commercial,industrial, and automotives areas.

We are looking forward to setting up business relationship with you and hope to provide you with the best service and solution. Let us make a better world for our industry!



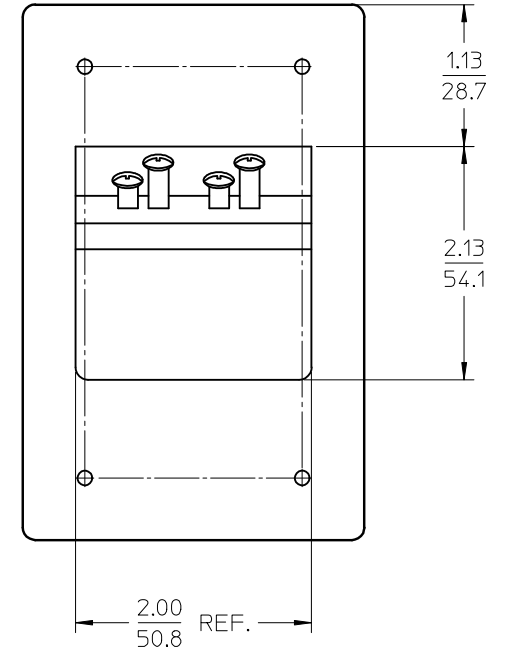
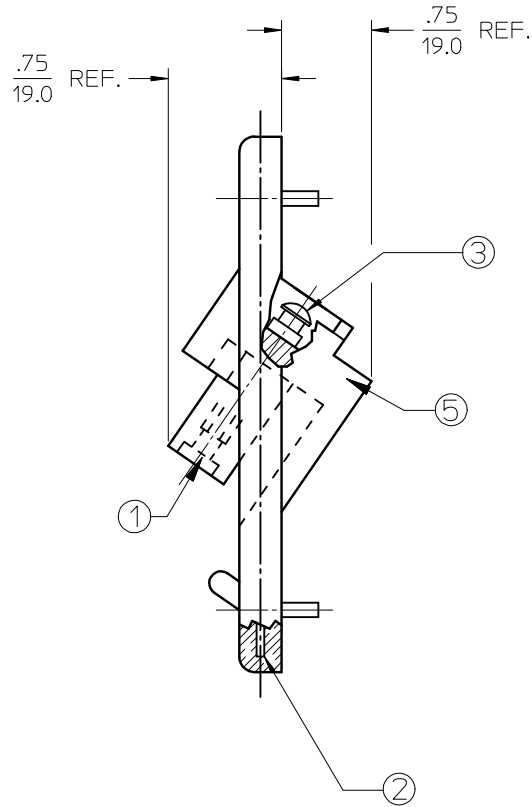
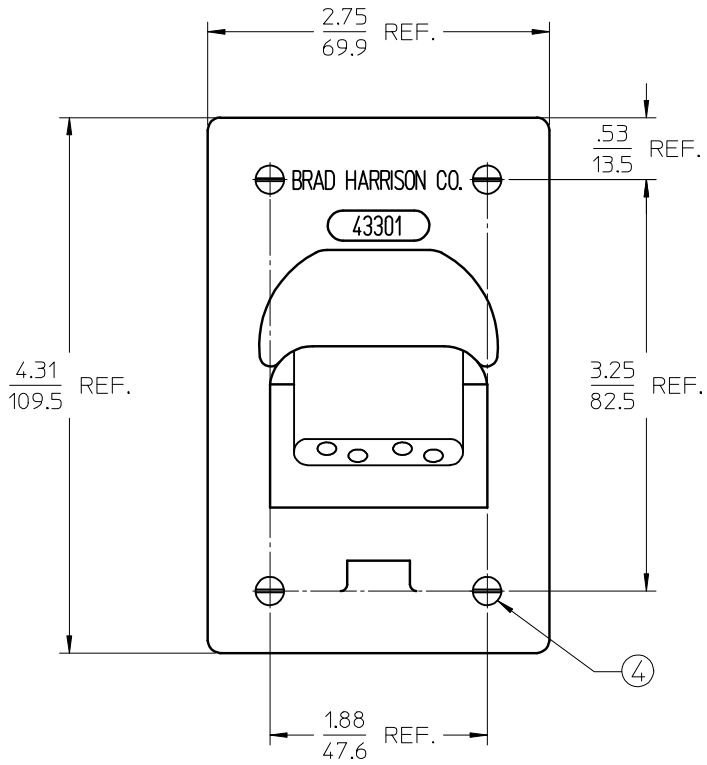
Contact us

Tel: +86-755-8981 8866 Fax: +86-755-8427 6832

Email & Skype: info@chipsmall.com Web: www.chipsmall.com

Address: A1208, Overseas Decoration Building, #122 Zhenhua RD., Futian, Shenzhen, China





MATERIAL NO.	ENGINEERING NO.	ELECTRICAL RATING
1300190018	43301	VOLTAGE: 600VAC, CURRENT: 25 AMPS

ITEM	QTY.	DESCRIPTION	MATERIAL	FINISH
5	1	OVERMOLD	RUBBER	ORANGE
4	4	6-32 BINDING HD SCREW-.50 LG	STEEL	NICKEL PLATE
3	4	6-32 BINDING HD SCREW-.25 LG	BRASS	
2	1	SUPPORT PLATE	CRS	ZINC PLATE
1	4	SOCKET ASSEMBLY	BRASS	

NEW SALES DOC
 EC NO: IFC2013-0880
 DRAWN BY: DRWINRSTONE 2013/01/21
 CHECKED BY: JOZWIK 2013/01/25
 APPR: JFMURPHY 2013/03/01

QUALITY SYMBOLS
 ▼=0
 ▽=0

GENERAL TOLERANCES (UNLESS SPECIFIED)	
mm	INCH
4 PLACES ± .005	± .001
3 PLACES ± .005	± .001
2 PLACES ± .005	± .001
1 PLACE ± .005	± .001
0 PLACE ± .005	± .001
ANGULAR ± 2 °	
DRAFT WHERE APPLICABLE MUST REMAIN WITHIN DIMENSIONS	

DIMENSION STYLE	
IN/MM	DATE
DRAWN BY: RSTONE	2013/01/21
CHECKED BY: K. JOZWIK	2013/01/25
APPROVED BY: JFMURPHY	2013/03/01

SCALE 1:1 DESIGN UNITS INCH THIRD ANGLE PROJECTION

TITLE: DIE BLOCK ANGLE RECEPTACLE FEMALE, 4 POLE-ORANGE

molex

MATERIAL NO. SEE CHART DOCUMENT NO. SD-130019-004 SHEET NO. 1 OF 1

THIS DRAWING CONTAINS INFORMATION THAT IS PROPRIETARY TO MOLEX INCORPORATED AND SHOULD NOT BE USED WITHOUT WRITTEN PERMISSION