



Chipsmall Limited consists of a professional team with an average of over 10 year of expertise in the distribution of electronic components. Based in Hongkong, we have already established firm and mutual-benefit business relationships with customers from,Europe,America and south Asia,supplying obsolete and hard-to-find components to meet their specific needs.

With the principle of “Quality Parts,Customers Priority,Honest Operation,and Considerate Service”,our business mainly focus on the distribution of electronic components. Line cards we deal with include Microchip,ALPS,ROHM,Xilinx,Pulse,ON,Everlight and Freescale. Main products comprise IC,Modules,Potentiometer,IC Socket,Relay,Connector.Our parts cover such applications as commercial,industrial, and automotives areas.

We are looking forward to setting up business relationship with you and hope to provide you with the best service and solution. Let us make a better world for our industry!



Contact us

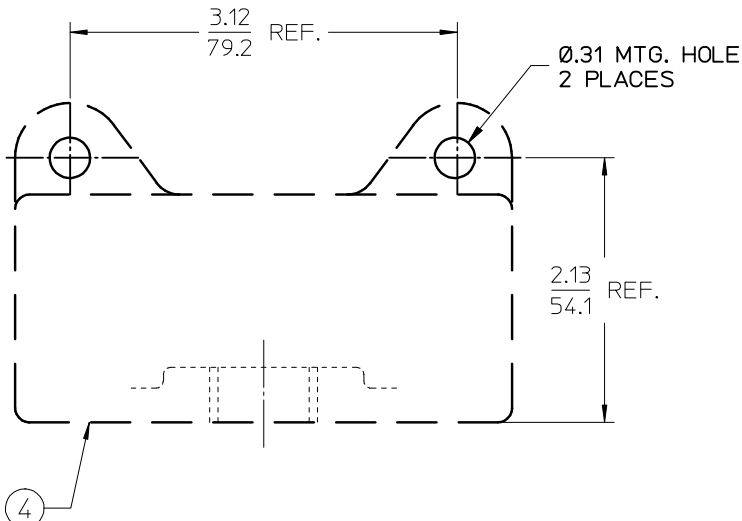
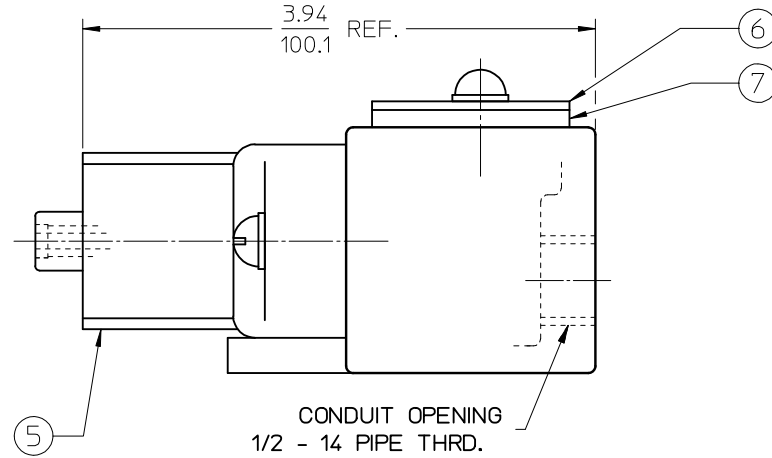
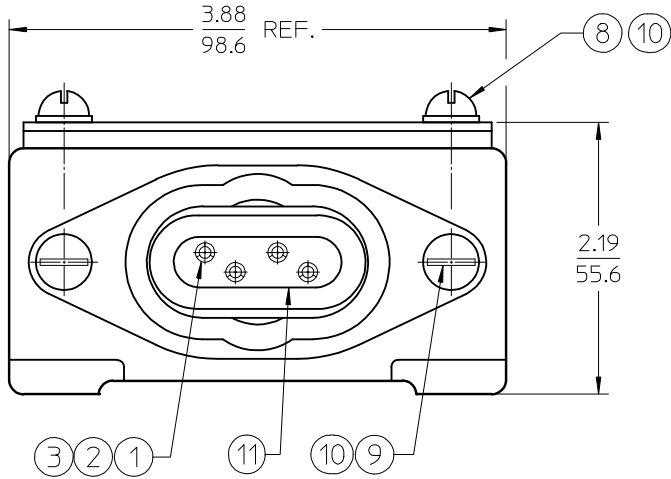
Tel: +86-755-8981 8866 Fax: +86-755-8427 6832

Email & Skype: info@chipsmall.com Web: www.chipsmall.com

Address: A1208, Overseas Decoration Building, #122 Zhenhua RD., Futian, Shenzhen, China



MATERIAL NO.	ENGINEERING NO.	ELECTRICAL RATING
1300190023	43305	VOLTAGE: 600VAC, CURRENT: 25 AMPS



ITEM	QTY.	DESCRIPTION	MATERIAL	FINISH
11	A/R	OVERMOLD	PVC	ORANGE
10	4	LOCKWASHER	STEEL	ZINC PLATED
9	2	SCREW, 1/4-20 X 1.00"-ROUND HEAD	STEEL	ZINC PLATED
8	2	SCREW, 1/4-20 X 3/8"-ROUND HEAD	STEEL	ZINC PLATED
7	1	GASKET	NEOPRENE	
6	1	PLATE	ALUMINUM	
5	1	MOUNTING SHELL	ALUMINUM	
4	1	MOUNTING BASE	ALUMINUM	
3	4	6-32 SCREW	BRASS	
2	4	FLAT WASHER	FIBRE	
1	4	SOCKET ASSEMBLY	BRASS	

NEW SALES DOC EC NO: ICG2013-0880 DRAWN BY: DRWHRSTONE 2013/01/21 CHKDK: JOZWIK 2013/01/25 APPR: JFMURPHY 2013/03/01	QUALITY SYMBOLS ▽=0 ▽=0	GENERAL TOLERANCES (UNLESS SPECIFIED) mm INCH 4 PLACES ± --- ± --- 3 PLACES ± --- ± --- 2 PLACES ± --- ± .02 1 PLACE ± 0.5 ± --- 0 PLACE ± --- ± ---	DIMENSION STYLE IN/MM DRAWN BY: RSTONE DATE: 2013/01/21 CHECKED BY: K. JOZWIK DATE: 2013/01/25 APPROVED BY: JFMURPHY DATE: 2013/03/01	SCALE: 1:1 DESIGN UNITS: INCH THIRD ANGLE PROJECTION	TITLE: DIE BLOCK-CAST RECEPT. FEMALE STATIONARY CONN. 4 POLE ORANGE	
	MATERIAL NO. SD-130019-005 SEE CHART	DOCUMENT NO. SD-130019-005	SHEET NO. 1 OF 1			
	ANGULAR ± 2° DRAFT WHERE APPLICABLE MUST REMAIN WITHIN DIMENSIONS			THIS DRAWING CONTAINS INFORMATION THAT IS PROPRIETARY TO MOLEX INCORPORATED AND SHOULD NOT BE USED WITHOUT WRITTEN PERMISSION		
	SIZE B			MOLEX		