



Chipsmall Limited consists of a professional team with an average of over 10 year of expertise in the distribution of electronic components. Based in Hongkong, we have already established firm and mutual-benefit business relationships with customers from,Europe,America and south Asia,supplying obsolete and hard-to-find components to meet their specific needs.

With the principle of “Quality Parts,Customers Priority,Honest Operation,and Considerate Service”,our business mainly focus on the distribution of electronic components. Line cards we deal with include Microchip,ALPS,ROHM,Xilinx,Pulse,ON,Everlight and Freescale. Main products comprise IC,Modules,Potentiometer,IC Socket,Relay,Connector.Our parts cover such applications as commercial,industrial, and automotives areas.

We are looking forward to setting up business relationship with you and hope to provide you with the best service and solution. Let us make a better world for our industry!



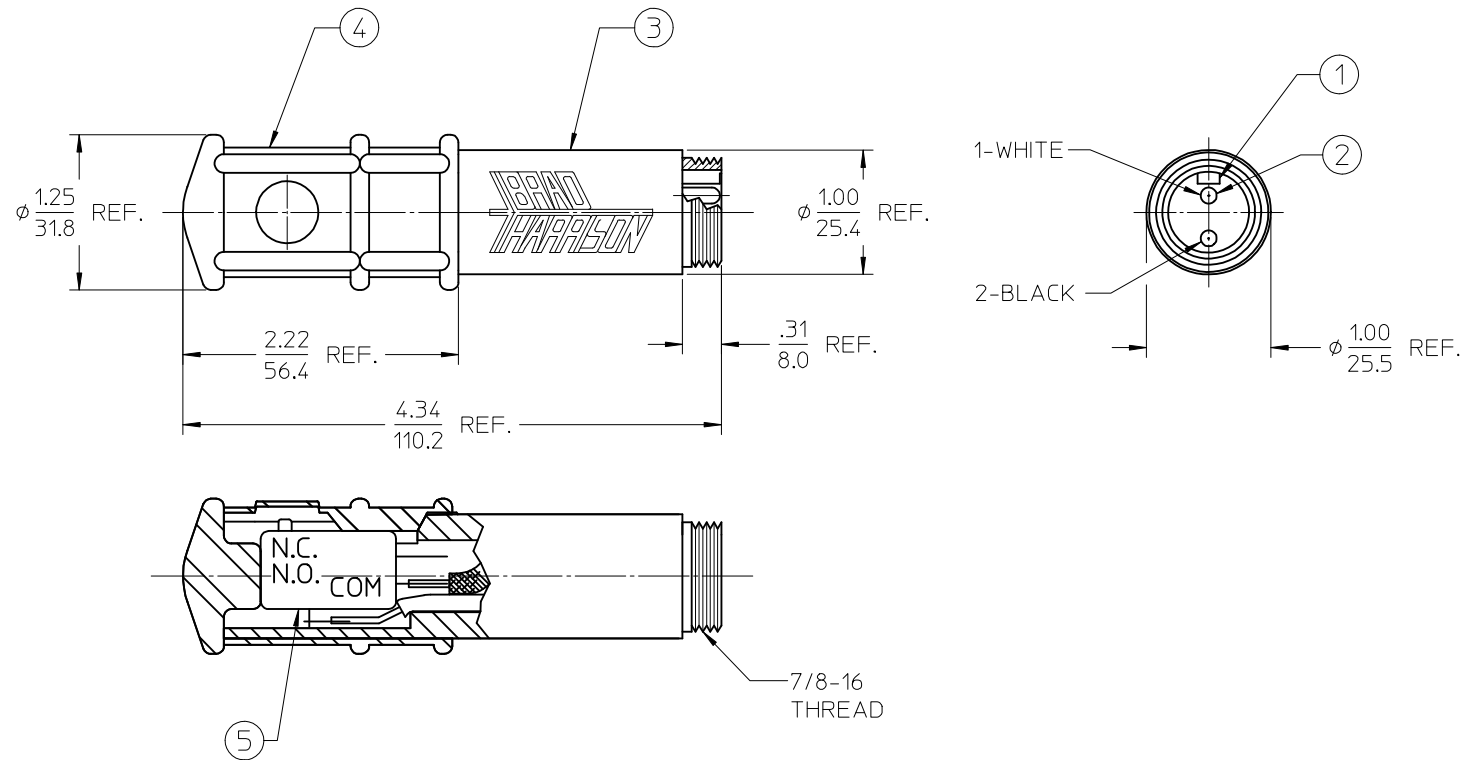
## Contact us

Tel: +86-755-8981 8866 Fax: +86-755-8427 6832

Email & Skype: info@chipsmall.com Web: www.chipsmall.com

Address: A1208, Overseas Decoration Building, #122 Zhenhua RD., Futian, Shenzhen, China





- NOTES:
1. MATERIAL: SEE TABLE
  2. FINISHES: SEE TABLE
  3. ELECTRICAL SPECIFICATIONS (MOMENTARY CONTACT)  
VOLTAGE RATING: 125/250VAC  
CURRENT RATING: 10 AMPS (AC)
  4. ASSEMBLY IS RoHS COMPLIANT BY EXEMPTION

ITEM	QTY.	DESCRIPTION	MATERIAL	FINISH
5	1	MOMENTARY SWITCH, 2P, 10 AMP (SPST NO)		
4	1	SWITCH BOOT	RUBBER	YELLOW
3	1	SWITCH BODY	NYLON	YELLOW
2	2	CONTACT PIN	Cu ALLOY	GOLD PLATED
1	1	PIN INSERT	PVC	YELLOW

NEW SALES DOC.  
EC NO: IPG2013-0880  
DR: RSTONE 2013/01/22  
CHKD: K. JOZWIK 2013/01/25  
APPR: JFMURPHY 2013/03/01

QUALITY SYMBOLS	DESCRIPTION
▽=0	
▽=0	

GENERAL TOLERANCES (UNLESS SPECIFIED)	
mm	INCH
4 PLACES ± ---	± ---
3 PLACES ± ---	± ---
2 PLACES ± 0.05	± .01
1 PLACE ± 0.10	± ---
0 PLACE ± ---	± ---

ANGULAR ± 5°  
DRAFT WHERE APPLICABLE  
MUST REMAIN WITHIN DIMENSIONS

DIMENSION STYLE	
IN/MM	
DRAWN BY	DATE
RSTONE	2013/01/22
CHECKED BY	DATE
K. JOZWIK	2013/01/25
APPROVED BY	DATE
JFMURPHY	2013/03/01

SCALE	DESIGN UNITS	THIRD ANGLE PROJECTION
1:1	INCH	☉
TITLE		
SWINGER 2P SWITCH SPST-NORMALLY OPEN		
<b>molex</b>		
MATERIAL NO.	DOCUMENT NO.	SHEET NO.
1300230001	SD-130023-005	1 OF 1

THIS DRAWING CONTAINS INFORMATION THAT IS PROPRIETARY TO MOLEX INCORPORATED AND SHOULD NOT BE USED WITHOUT WRITTEN PERMISSION