



Chipsmall Limited consists of a professional team with an average of over 10 year of expertise in the distribution of electronic components. Based in Hongkong, we have already established firm and mutual-benefit business relationships with customers from,Europe,America and south Asia,supplying obsolete and hard-to-find components to meet their specific needs.

With the principle of "Quality Parts,Customers Priority,Honest Operation,and Considerate Service",our business mainly focus on the distribution of electronic components. Line cards we deal with include Microchip,ALPS,ROHM,Xilinx,Pulse,ON,Everlight and Freescale. Main products comprise IC,Modules,Potentiometer,IC Socket,Relay,Connector.Our parts cover such applications as commercial,industrial, and automotives areas.

We are looking forward to setting up business relationship with you and hope to provide you with the best service and solution. Let us make a better world for our industry!



## Contact us

Tel: +86-755-8981 8866 Fax: +86-755-8427 6832

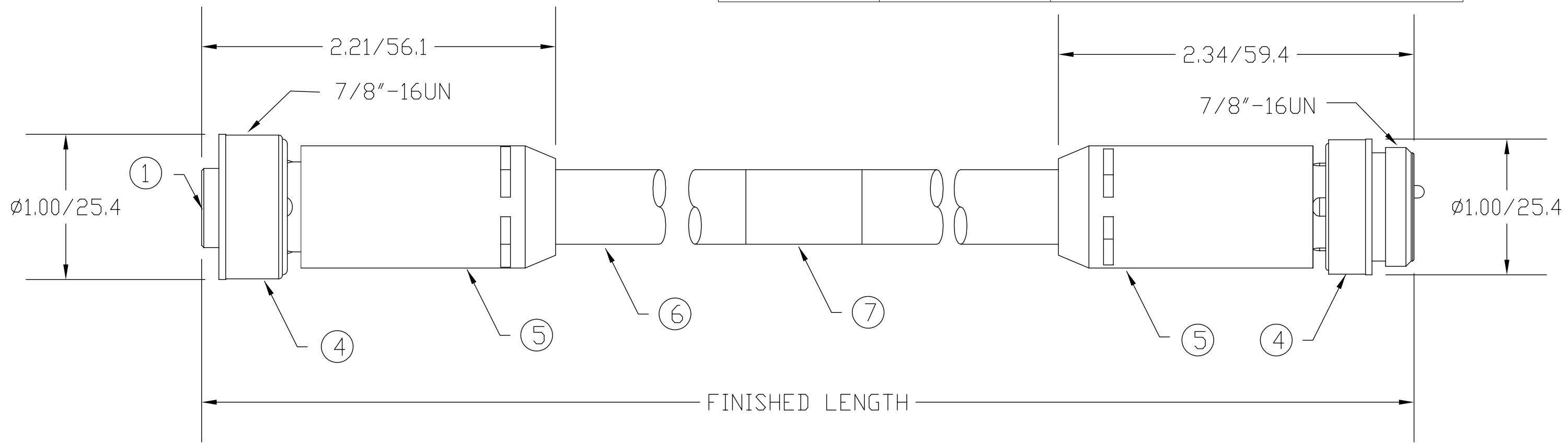
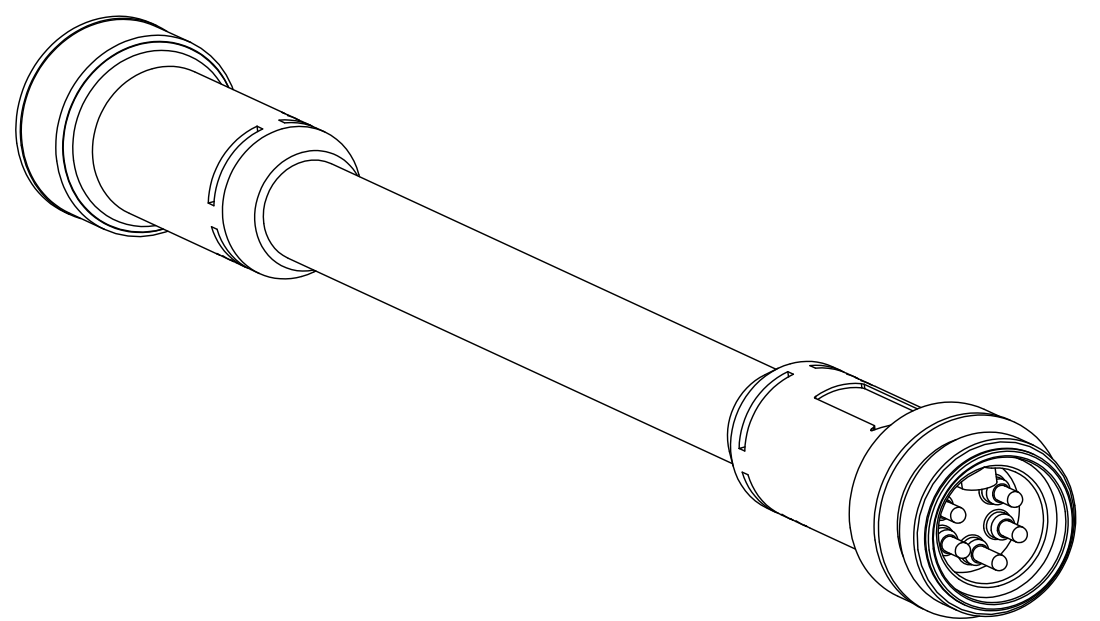
Email & Skype: info@chipsmall.com Web: www.chipsmall.com

Address: A1208, Overseas Decoration Building, #122 Zhenhua RD., Futian, Shenzhen, China

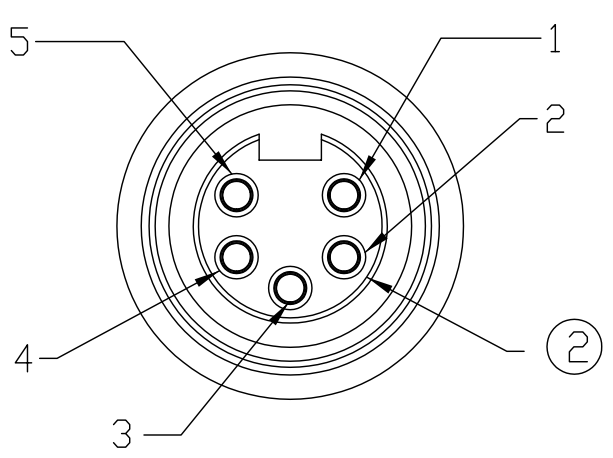


MATERIAL NUMBER	OLD PART NUMBER	FINISHED LENGTH
130025-0048	DN11A-M003	.98' +.75" -0 [3M +19.1 -0]
130025-0051	DN11A-M005	1.64' +1.75" -0 [5M +44.5 -0]
130025-0054	DN11A-M010	3.28' +2.19" -0 [10M +55.6 -0]
130025-0061	DN11A-M020	6.56' +3.50" -0 [20M +88.9 -0]
130025-0067	DN11A-M030	9.84' +3.50" -0 [30M +88.9 -0]
130025-0071	DN11A-M040	13.12' +6.50" -0 [40M +165.1 -0]
130025-0073	DN11A-M050	16.40' +6.50" -0 [50M +165.1 -0]
130025-0076	DN11A-M060	19.69' +6.50" -0 [60M +165.1 -0]

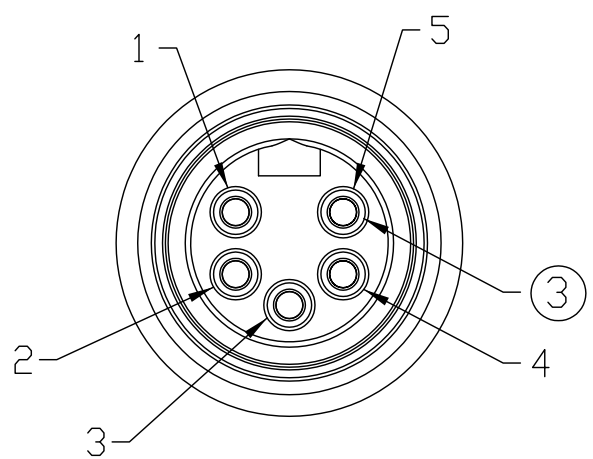
MATERIAL NUMBER	OLD PART NUMBER	FINISHED LENGTH (FT/MT)
130025-0079	DN11A-M070	22.97' +6.50" -0 [7.0M +165.1 -0]
130025-0084	DN11A-M080	26.25' +12.50" -0 [8.0M +317.5 -0]
130025-0083	DN11A-M090	29.53' +12.50" -0 [9.0M +317.5 -0]
130025-0085	DN11A-M100	32.81' +12.50" -0 [10.0M +317.5 -0]
130025-0092	DN11A-M150	49.21' +24.50" -0 [15.0M +622.3 -0]
130025-0097	DN11A-M200	65.62' +24.50" -0 [20.0M +622.3 -0]
130025-0103	DN11A-M250	82.02' +24.50" -0 [25.0M +622.3 -0]
130025-0108	DN11A-M300	98.43' +24.50" -0 [30.0M +622.3 -0]
130025-0122	DN11A-M500	164.04' +39.40" -0 [50.0M +1000 -0]



SCHEMATIC



FEMALE FACE VIEW



MALE FACE VIEW

- 1 - DRAIN
- 2 - V+
- 3 - V-
- 4 - CAN\_H
- 5 - CAN\_L

ITEM	COMPONENT	MATERIAL	FINISH
1	INSERT	PVC	GRAY
2	CONTACT SOCKET	COPPER ALLOY	GOLD OVER NICKEL
3	CONTACT PIN	COPPER ALLOY	GOLD OVER NICKEL
4	COUPLING NUT	ZINC DIE CAST	BLACK E-COATED
5	OVERMOLD	PVC	GRAY
6	CABLE-DEVICENET THICK CABLE 2/15 & 2/18 SHIELD PAIR	PVC	GRAY
7	LABEL	MYLAR	BLACK/YELLOW

VOLTAGE RATING	300 VAC/VDC
AMPERAGE RATING	8 AMPS
PROTECTION	IP67
OPERATING TEMPERATURE	-20°C TO 80°C
UL CERTIFICATIONS	UL RECOGNIZED, FILE NO. E152210
CSA CERTIFICATIONS	CSA CERTIFIED, FILE NO. LR6837

ADDED 50M CABLE LENGTH PIN EC NO: WNA2010-0410 DRWN: TWOLDEGE 1/4/10 CH'KD: --- APPR: JFMURPHY 2010/01/20	DESCRIPTION REV	<b>QUALITY SYMBOL</b> ▽=0 ◁=0	<b>GENERAL TOLERANCES (UNLESS SPECIFIED)</b> <table border="1"> <tr> <td></td> <td>mm</td> <td>INCH</td> </tr> <tr> <td>4 PLACES</td> <td>±----</td> <td>±----</td> </tr> <tr> <td>3 PLACES</td> <td>±----</td> <td>±----</td> </tr> <tr> <td>2 PLACES</td> <td>±----</td> <td>±.01</td> </tr> <tr> <td>1 PLACE</td> <td>±0.3</td> <td>±----</td> </tr> </table> ANGULAR ±----°		mm	INCH	4 PLACES	±----	±----	3 PLACES	±----	±----	2 PLACES	±----	±.01	1 PLACE	±0.3	±----	<b>DIMENSION STYLE</b> IN/MM DRAWN BY: BW DATE: 2009/03/13 CHECKED BY: KJ DATE: 2009/03/13 APPROVED BY: JFMURPHY DATE: 2010/01/20	SCALE: ---- DESIGN UNITS: ---- THIRD ANGLE PROJECTION
			mm	INCH																
		4 PLACES	±----	±----																
		3 PLACES	±----	±----																
2 PLACES	±----	±.01																		
1 PLACE	±0.3	±----																		
DRAFT WHERE APPLICABLE MUST REMAIN WITHIN DIMENSIONS			TITLE: <b>MINI-CHANGE 5P M/MFE DEVICENET CORDSET</b>	MOLEX INCORPORATED																
SEE CHART			MATERIAL NO.	DOCUMENT NO. <b>SD-130025-001</b>																
SIZE <b>C</b>			THIS DRAWING CONTAINS INFORMATION THAT IS PROPRIETARY TO MOLEX INCORPORATED AND SHOULD NOT BE USED WITHOUT WRITTEN PERMISSION																	