



Chipsmall Limited consists of a professional team with an average of over 10 year of expertise in the distribution of electronic components. Based in Hongkong, we have already established firm and mutual-benefit business relationships with customers from,Europe,America and south Asia,supplying obsolete and hard-to-find components to meet their specific needs.

With the principle of “Quality Parts,Customers Priority,Honest Operation,and Considerate Service”,our business mainly focus on the distribution of electronic components. Line cards we deal with include Microchip,ALPS,ROHM,Xilinx,Pulse,ON,Everlight and Freescale. Main products comprise IC,Modules,Potentiometer,IC Socket,Relay,Connector.Our parts cover such applications as commercial,industrial, and automotives areas.

We are looking forward to setting up business relationship with you and hope to provide you with the best service and solution. Let us make a better world for our industry!



Contact us

Tel: +86-755-8981 8866 Fax: +86-755-8427 6832

Email & Skype: info@chipsmall.com Web: www.chipsmall.com

Address: A1208, Overseas Decoration Building, #122 Zhenhua RD., Futian, Shenzhen, China



6

5

4

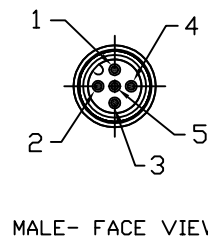
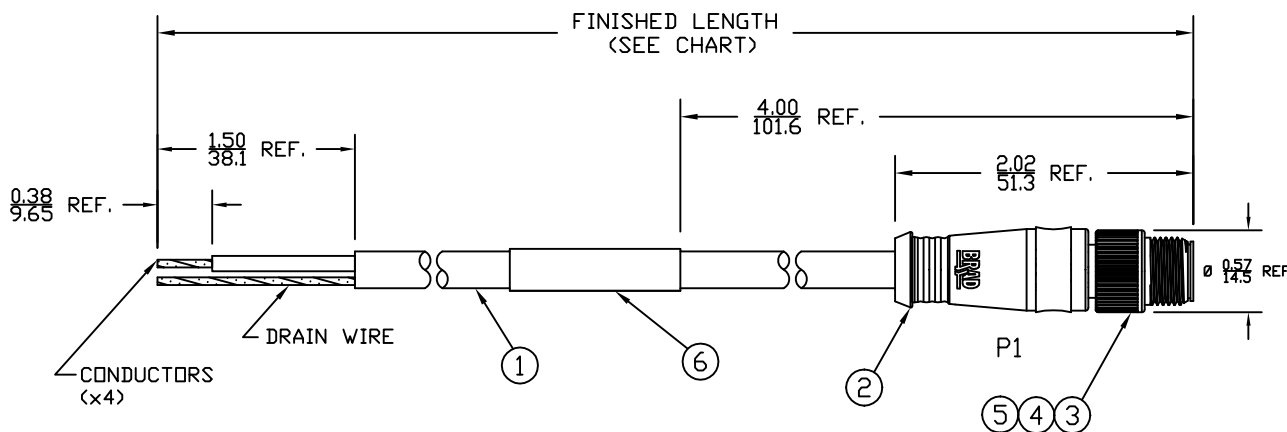
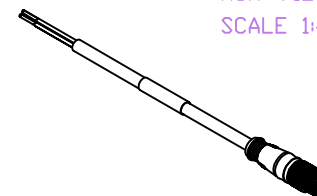
3

2

1

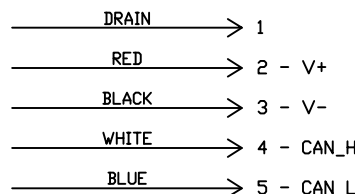
PART NUMBER	ENGINEERING NO.	LENGTH ± TOLERANCE
1300270012	DND02A-M010	3' 3" +2.19"/-0" [1M +55.6/-0 mm]
1300270015	DND02A-M030	9' 10" +3.50"/-0" [3M +88.9/-0 mm]
1300270017	DND02A-M050	16' 5" +6.50"/-0" [5M +165.1/-0 mm]

AUX VIEW
SCALE 1:4



SCHEMATIC

P1



- NOTES:
- 1) MATERIAL: SEE TABLE
 - 2) FINISHES: SEE TABLE
 - 3) CABLE: #22/4 + DRAIN, DEVICENET THIN
EACH PAIR: SHIELDED, TWISTED
OVERALL: SHIELDED, PVC
 - 4) ELECTRICAL DATA:
MAX. VOLTAGE: 250V AC/DC
MAX. CURRENT 4A
 - 5) ENVIRONMENTAL:
PROTECTION IP67
TEMPERATURE RANGE: -20°C TO 80°C
 - 6) WRAP LABEL IS MARKED WITH P/N, DATE CODE,
VOLTAGE & AMPERAGE.
 - 7) ASSEMBLY IS RoHS COMPLIANT.

ITEM	QTY.	DESCRIPTION	MATERIAL	FINISH
6	1	LABEL	PLASTIC FILM	BLACK/YELLOW
5	1	INSERT	NYLON	BLACK
4	5	PIN CONTACT	COPPER ALLOY	GOLD PLATED
3	1	M12 COUPLING NUT	ZINC DIE-CAST	BLACK
2	1	OVERMOLD	PVC	GRAY
1	1	DEVICENET CABLE	PVC JACKET	GRAY

SD RELEASE EC NO: WNA2010-0076 7/30/09 DRWN: VOU CHKD: BWOODMAN APPR: JFMURPHY 2009/08/10	QUALITY SYMBOLS ▽=0 ▽=0	GENERAL TOLERANCES (UNLESS SPECIFIED)		DIMENSION STYLE	SCALE	DESIGN UNITS	THIRD ANGLE PROJECTION		
				IN/MM	3:4	INCH			
				mm	INCH	DRAWN BY	DATE	TITLE	
				4 PLACES ±----	±----	VOU	2009/07/30	M12 DEVICENET CABLE ASSY 5P MALE STRAIGHT #22/4 SHLD PVC -THIN STD	
		3 PLACES ±----	±0.05	CHECKED BY	DATE	MOLEX INCORPORATED			
		2 PLACES ±----	±0.10	BWOODMAN	2009/07/31				
		1 PLACE ±----	±0.20	APPROVED BY	DATE				
		ANGULAR ±1/2°		MATERIAL NO.	DOCUMENT NO.		SHEET NO.		
		DRAFT WHERE APPLICABLE MUST REMAIN WITHIN DIMENSIONS		SEE CHART		SD-130027-001	1 OF 1		
				SIZE	THIS DRAWING CONTAINS INFORMATION THAT IS PROPRIETARY TO MOLEX INCORPORATED AND SHOULD NOT BE USED WITHOUT WRITTEN PERMISSION				
				A					

6

5

4

3

2

1

E

E

D

D

C

C

B

B

A

A