



Chipsmall Limited consists of a professional team with an average of over 10 year of expertise in the distribution of electronic components. Based in Hongkong, we have already established firm and mutual-benefit business relationships with customers from,Europe,America and south Asia,supplying obsolete and hard-to-find components to meet their specific needs.

With the principle of “Quality Parts,Customers Priority,Honest Operation,and Considerate Service”,our business mainly focus on the distribution of electronic components. Line cards we deal with include Microchip,ALPS,ROHM,Xilinx,Pulse,ON,Everlight and Freescale. Main products comprise IC,Modules,Potentiometer,IC Socket,Relay,Connector.Our parts cover such applications as commercial,industrial, and automotives areas.

We are looking forward to setting up business relationship with you and hope to provide you with the best service and solution. Let us make a better world for our industry!



Contact us

Tel: +86-755-8981 8866 Fax: +86-755-8427 6832

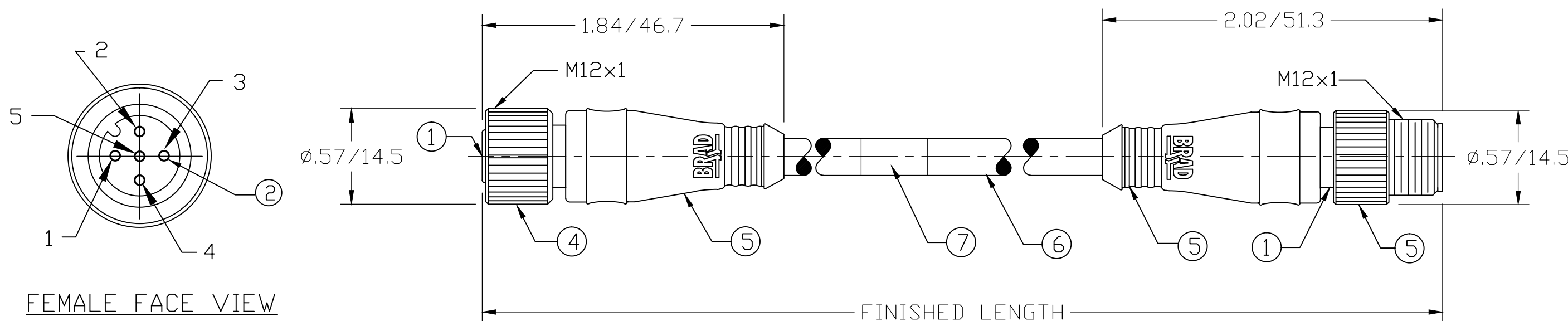
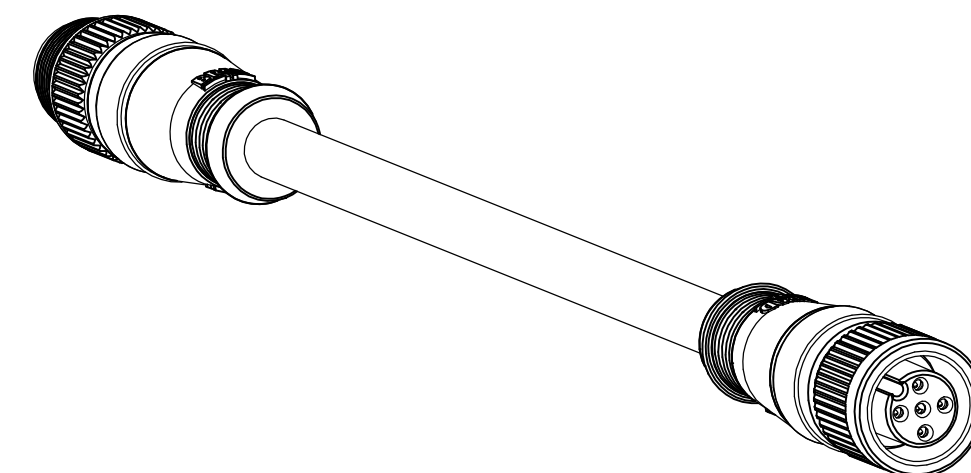
Email & Skype: info@chipsmall.com Web: www.chipsmall.com

Address: A1208, Overseas Decoration Building, #122 Zhenhua RD., Futian, Shenzhen, China



MATERIAL NUMBER	OLD PART NUMBER	FINISHED LENGTH
130028-0022	DND22A-M003	.98' +.75" -0 [.3M +19.1 -0]
130028-0023	DND22A-M005	1.64' +1.75" -0 [.5M +44.5 -0]
130028-0027	DND22A-M009	2.95' +1.75" -0 [.9M +44.5 -0]
130028-0028	DND22A-M010	3.28' +2.19" -0 [1.0M +55.6 -0]
130028-0033	DND22A-M020	6.56' +3.50" -0 [2.0M +88.9 -0]
130028-0037	DND22A-M030	9.84' +3.50" -0 [3.0M +88.9 -0]
130028-0038	DND22A-M031	10.17' +3.50" -0 [3.1M +88.9 -0]
130028-0040	DND22A-M040	13.12' +6.50" -0 [4.0M +165.1 -0]
130028-0042	DND22A-M050	16.40' +6.50" -0 [5.0M +165.1 -0]
130028-0043	DND22A-M060	19.69' +6.50" -0 [6.0M +165.1 -0]

MATERIAL NUMBER	OLD PART NUMBER	FINISHED LENGTH
130028-0239	DND22A-M070	22.97' +6.50" -0 [7.0M +165.1 -0]
130028-0044	DND22A-M080	26.25' +12.50" -0 [8.0M +317.5 -0]
130028-0045	DND22A-M090	29.53' +12.50" -0 [9.0M +317.5 -0]
130028-0046	DND22A-M100	32.81' +12.50" -0 [10.0M +317.5 -0]
130028-0048	DND22A-M150	49.21' +24.50" -0 [15.0M +622.3 -0]
130028-0050	DND22A-M200	65.62' +24.50" -0 [20.0M +622.3 -0]
130028-0052	DND22A-M250	82.02' +24.50" -0 [25.0M +622.3 -0]
130028-0054	DND22A-M300	98.43' +24.50" -0 [30.0M +622.3 -0]



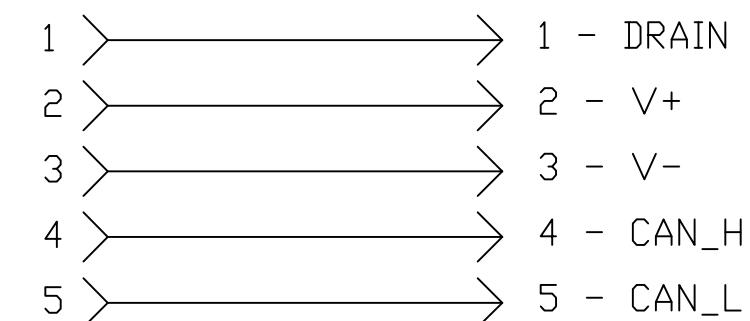
VOLTAGE RATING	250 VAC/VDC
AMPERAGE RATING	4 AMPS
PROTECTION	IP67
OPERATING TEMPERATURE	-20°C TO 80°C
UL CERTIFICATIONS	UL LISTED, FILE NO. E152210
CSA CERTIFICATIONS	CSA CERTIFIED, FILE NO. LR6837

Ⓒ PART NUMBER LEGEND

DND22A-M005

FINISHED LENGTH:
M005= 0.5 METER
M010= 1 METER
M100= 10 METER

SCHEMATIC



ITEM	COMPONENT	MATERIAL	FINISH
1	INSERT	NYLON 6/6	BLACK
2	CONTACT SOCKET	COPPER ALLOY	GOLD OVER NICKEL
3	CONTACT PIN	COPPER ALLOY	GOLD OVER NICKEL
4	COUPLING NUT	ZINC DIE CAST	BLACK E-COATED
5	OVERMOLD	PVC	GRAY
6	CABLE-DEVICENET THIN CABLE 2/22 & 2/22 SHIELD PAIR	PVC	GRAY
7	LABEL	VINYL	BLACK/YELLOW

ADD LEGEND EC NO: IPG2017-0603 DRWN: RSTONE 12/15/16 CHKD: K COX 2016/12/20 APPR: BWOODMAN	QUALITY SYMBOL	GENERAL TOLERANCES (UNLESS SPECIFIED)	DIMENSION STYLE INCH/MM	SCALE ---	DESIGN UNITS INCH	THIRD ANGLE PROJECTION
	▽=0 ∇=0	4 PLACES ±--- ±--- 3 PLACES ±--- ±--- 2 PLACES ±--- ±.01 1 PLACE ±.3 ±---	mm INCH	DRAWN BY RSTONE DATE 2016/09/16	TITLE	
		ANGULAR ±2°	CHECKED BY M ZIELIN DATE 2016/09/26	MICRO-CHANGE 5P M/MFE DEVICENET CORDSET		
		DRAFT WHERE APPLICABLE MUST REMAIN WITHIN DIMENSIONS	APPROVED BY DATE	MOLEX INCORPORATED		
		MATERIAL NO. -	SIZE C	DOCUMENT NO. SD-130028-001		SHEET NO. 1 OF 1
THIS DRAWING CONTAINS INFORMATION THAT IS PROPRIETARY TO MOLEX INCORPORATED AND SHOULD NOT BE USED WITHOUT WRITTEN PERMISSION						