



Chipsmall Limited consists of a professional team with an average of over 10 year of expertise in the distribution of electronic components. Based in Hongkong, we have already established firm and mutual-benefit business relationships with customers from,Europe,America and south Asia,supplying obsolete and hard-to-find components to meet their specific needs.

With the principle of "Quality Parts,Customers Priority,Honest Operation,and Considerate Service",our business mainly focus on the distribution of electronic components. Line cards we deal with include Microchip,ALPS,ROHM,Xilinx,Pulse,ON,Everlight and Freescale. Main products comprise IC,Modules,Potentiometer,IC Socket,Relay,Connector.Our parts cover such applications as commercial,industrial, and automotives areas.

We are looking forward to setting up business relationship with you and hope to provide you with the best service and solution. Let us make a better world for our industry!



## Contact us

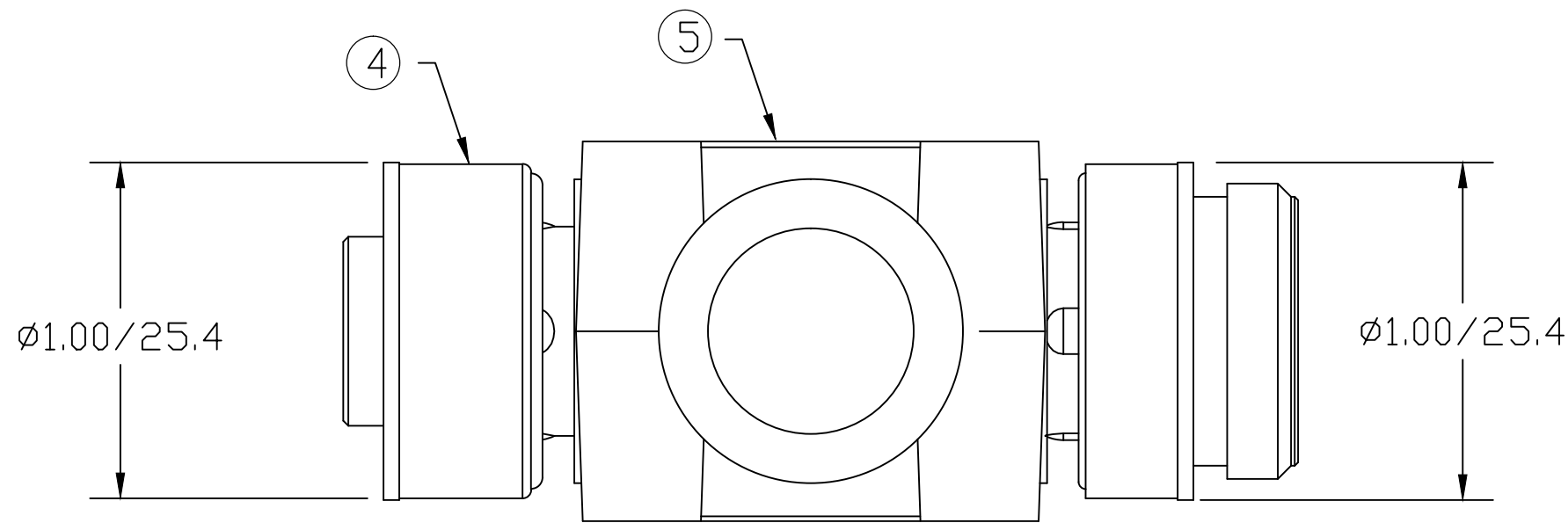
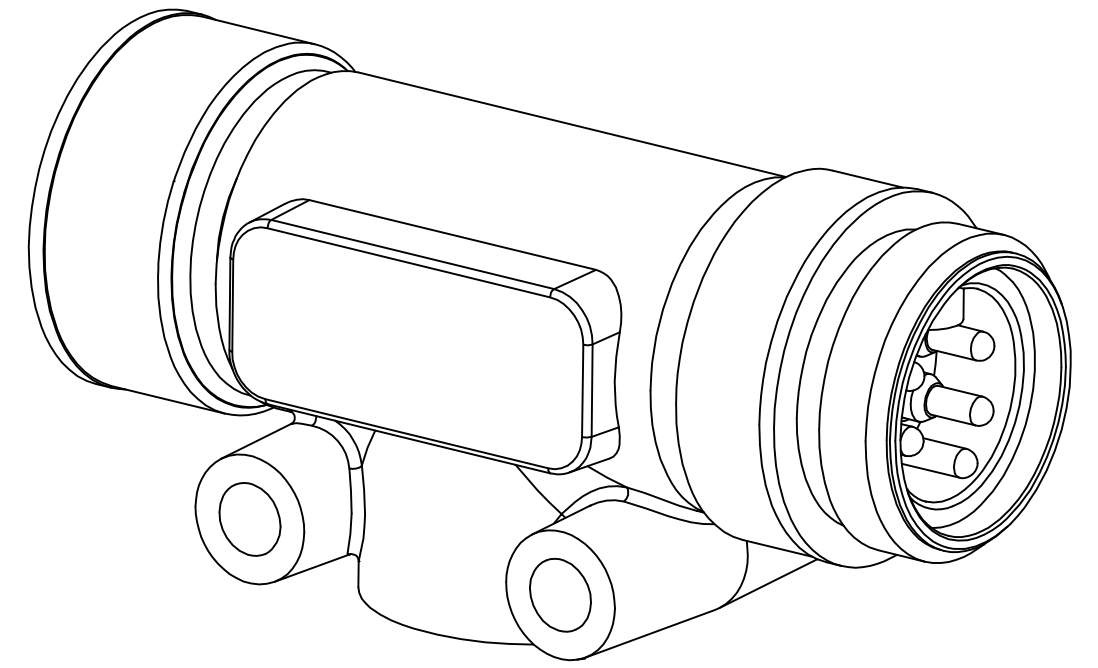
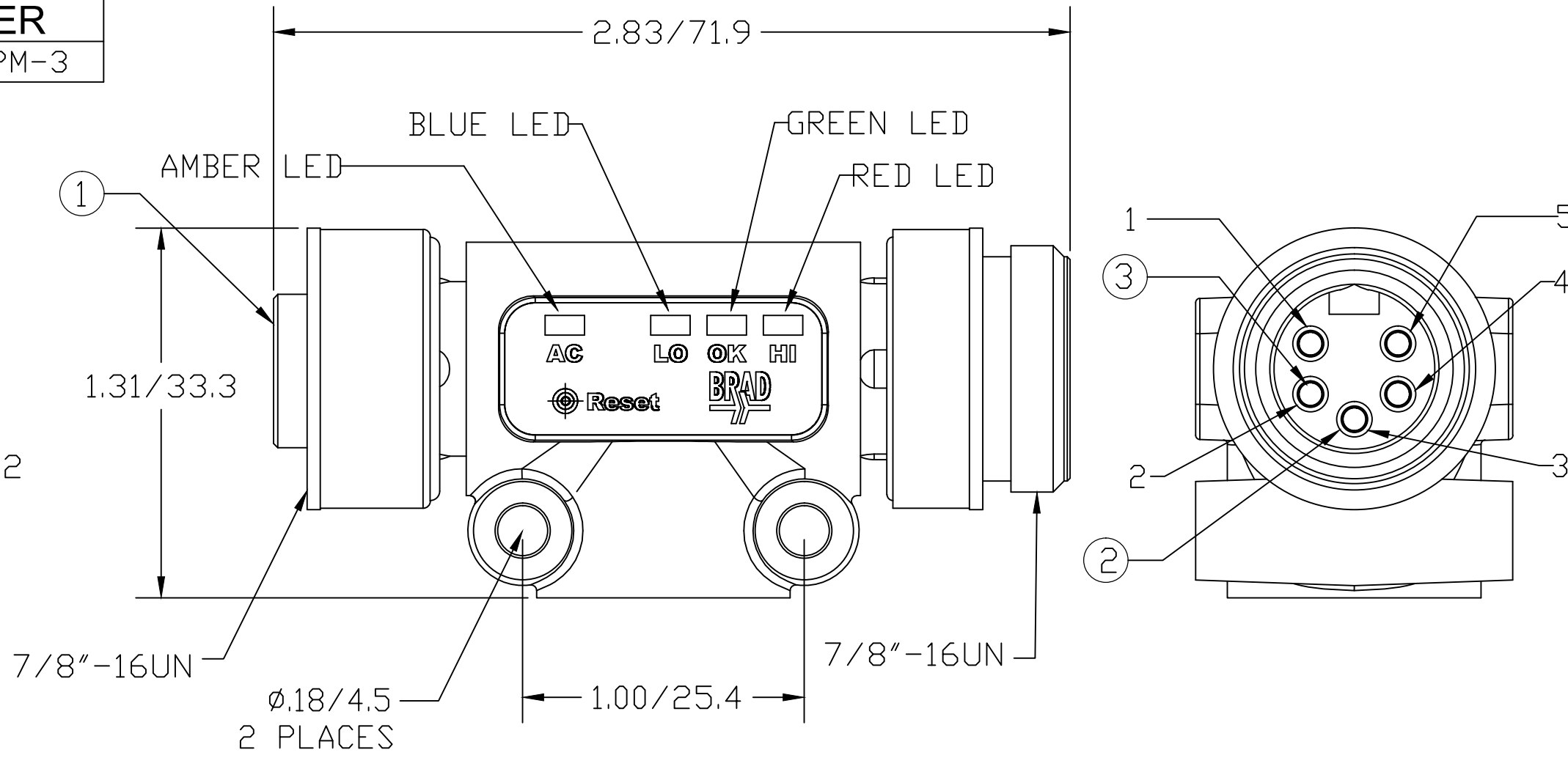
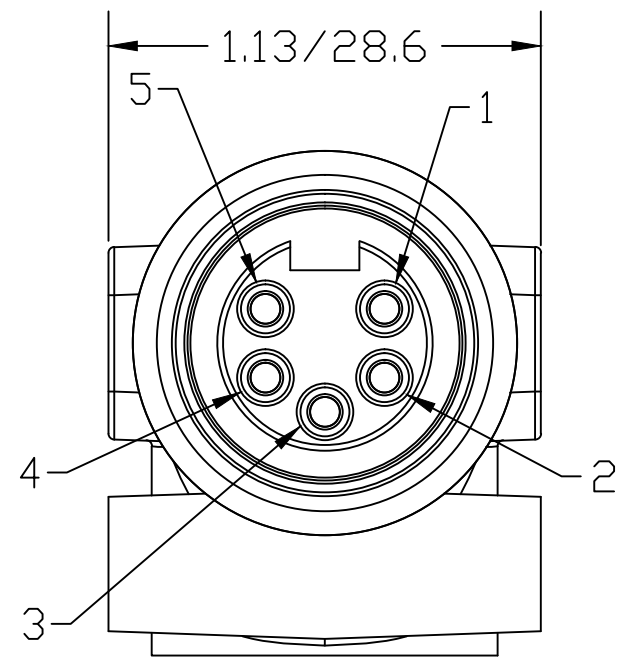
Tel: +86-755-8981 8866 Fax: +86-755-8427 6832

Email & Skype: info@chipsmall.com Web: www.chipsmall.com

Address: A1208, Overseas Decoration Building, #122 Zhenhua RD., Futian, Shenzhen, China



MATERIAL NUMBER	OLD PART NUMBER
130035-0008	115011A-PM-3



SCHEMATIC



LED FUNCTIONALITY:  
 SOLID GREEN LED = BUS VOLTAGE >12.90 AND <=24.78  
 FLASHING GREEN LED = BUS VOLTAGE WITHIN LIMITS OF SOLID GREEN OPERATION, BUT POWER HAS BEEN CYCLED WITHIN PREVIOUS 24 HRS  
 FLICKERING RED LED = BUS VOLTAGE >24.78 (GREATER THAN 25.3 TO GUARANTEE DETECTION)  
 FLASHING RED LED = BUS VOLTAGE >24.78 (25.3) WITHIN PREVIOUS 24 HRS  
 FLICKERING BLUE LED = BUS VOLTAGE <12.90 (12.4)  
 FLASHING BLUE LED = BUS VOLTAGE <12.90 (12.4) WITHIN PREVIOUS 24 HRS  
 FLICKERING AMBER LED = BUS VOLTAGE HAS A REPEATED TRANSIENT VOLTAGE (BETWEEN 10Hz AND 250Hz) PRESENT THAT EXCEEDS THE DETECTION THRESHOLD (THRESHOLD LEVEL VARIES BY FREQUENCY)  
 FLASHING AMBER LED = BUS VOLTAGE HAS EXPERIENCED A TRANSIENT OR RIPPLE AS SPECIFIED FOR FLICKERING AMBER CONDITION WITH PREVIOUS 24 HRS)

VOLTAGE RATING	30 VDC
PROTECTION	IP67
OPERATING TEMPERATURE	-20°C TO 80°C

ITEM	COMPONENT	MATERIAL	FINISH
1	INSERT	TPE	GRAY
2	CONTACT SOCKET	COPPER ALLOY	GOLD OVER NICKEL
3	CONTACT PIN	COPPER ALLOY	GOLD OVER NICKEL
4	COUPLING NUT	ZINC DIE CAST	BLACK E-COATED
5	OVERMOLD	TPE	GRAY

EC NO: IPG2014-0219	8/5/13	QUALITY SYMBOL
DRWN: KJOZWIK	DESCRIPTION	▽=0
CHKD: YOU	REV	▽C=0
APPR: JFMURPHY	2010/01/20	

GENERAL TOLERANCES (UNLESS SPECIFIED)	
	mm INCH
4 PLACES	±--- ±---
3 PLACES	±--- ±.005
2 PLACES	±0.13 ±.010
1 PLACE	±0.25 ±.020
ANGULAR ±1/2°	
DRAFT WHERE APPLICABLE MUST REMAIN WITHIN DIMENSIONS	

DIMENSION STYLE	
IN/MM	
DRAWN BY	DATE
KJOZWIK	2010/01/19
CHECKED BY	DATE
BWOODMAN	2010/01/19
APPROVED BY	DATE
JFMURPHY	2010/01/20
MATERIAL NO.	DOCUMENT NO.
SEE TABLE	SD-130035-010
SIZE C	THIS DRAWING CONTAINS INFORMATION THAT IS PROPRIETARY TO MOLEX INCORPORATED AND SHOULD NOT BE USED WITHOUT WRITTEN PERMISSION

SCALE 1:1	DESIGN UNITS INCH	THIRD ANGLE PROJECTION
TITLE		
DNET POWER MONITOR INLINE DEVICENET		
MOLEX INCORPORATED		
DOCUMENT NO. SD-130035-010		SHEET NO. 1 OF 1