



Chipsmall Limited consists of a professional team with an average of over 10 year of expertise in the distribution of electronic components. Based in Hongkong, we have already established firm and mutual-benefit business relationships with customers from,Europe,America and south Asia,supplying obsolete and hard-to-find components to meet their specific needs.

With the principle of "Quality Parts,Customers Priority,Honest Operation,and Considerate Service",our business mainly focus on the distribution of electronic components. Line cards we deal with include Microchip,ALPS,ROHM,Xilinx,Pulse,ON,Everlight and Freescale. Main products comprise IC,Modules,Potentiometer,IC Socket,Relay,Connector.Our parts cover such applications as commercial,industrial, and automotives areas.

We are looking forward to setting up business relationship with you and hope to provide you with the best service and solution. Let us make a better world for our industry!



## Contact us

Tel: +86-755-8981 8866 Fax: +86-755-8427 6832

Email & Skype: info@chipsmall.com Web: www.chipsmall.com

Address: A1208, Overseas Decoration Building, #122 Zhenhua RD., Futian, Shenzhen, China



6

5

4

3

2

1

E

E

D

D

C

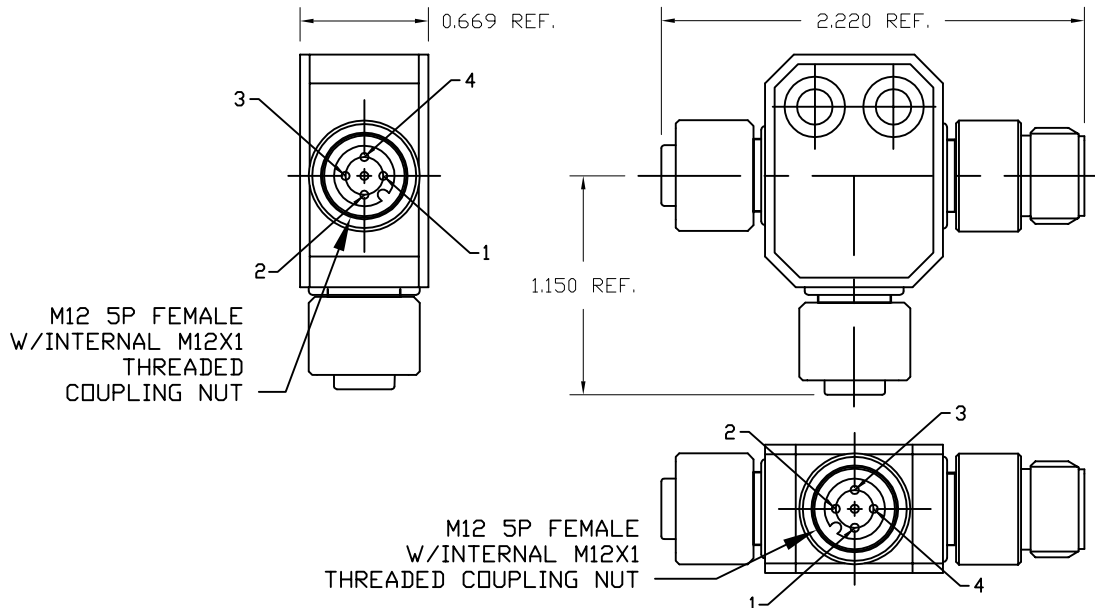
C

B

B

A

A



M12 5P FEMALE  
W/INTERNAL M12X1  
THREADED  
COUPLING NUT

M12 5P MALE W/EXTERNAL M12X1  
THREADED COUPLING NUT

M12 5P FEMALE  
W/INTERNAL M12X1  
THREADED COUPLING NUT

**NOTES:**

**MATERIALS:**

MOLDED BODY: GRAY PUR  
 COUPLERS: STAINLESS STEEL OR NI PLATED BRASS  
 CONTACTS: GOLD/NICKEL OVER COPPER ALLOY  
 MC INSERTS: BLACK PUR  
 O-RING(MIC FEM.): RED NITRILE RUBBER

**ELECTRICAL:**

CURRENT RATING: 4AMP MAX  
 VOLTAGE RATING: 250V

**MECHANICAL:**

TEMPERATURE RANGE: 0° TO 60°C  
 INGRESS PROTECTION: IP 67

**AGENCY CERTIFICATIONS:**

AGENCY: CSA PENDING

**PART NUMBER REFERENCE:**

MATERIAL NUMBER	ENGINEERING NUMBER	COUPLER STYLE
1300350097	MICT5558	HEX - 316 STAINLESS STEEL
1300350090	MICT555	KNURLED - NI PLATED BRASS

ADD MAT# TO TABLE EC NO: WNA2009-0313 DRWN: LHARTMAN 2008/10/27 CHKD: YOU 2008/11/07 APPR: JFMURPHY 2008/11/10	REV DESCRIPTION C	<b>QUALITY SYMBOLS</b> ▽=0 ▽C=0	<b>GENERAL TOLERANCES (UNLESS SPECIFIED)</b>		<b>DIMENSION STYLE</b> ----		SCALE 1:1	DESIGN UNITS INCH	<b>THIRD ANGLE PROJECTION</b>			
			4 PLACES	mm	INCH	DRAWN BY	DATE	TITLE <b>MICRO-CHANGE TEE          5 POLE MA/FE W/FE DROP</b> ----				
			3 PLACES	±---	±---	CHECKED BY	DATE					
			2 PLACES	±---	±---	APPROVED BY	DATE	<b>MOLEX INCORPORATED</b> MATERIAL NO. SEE TABLE DOCUMENT NO. SD-130035-001 SHEET NO. 1 OF 1				
1 PLACE	±---	±---	ANGULAR ±---°									
<b>DRAFT WHERE APPLICABLE          MUST REMAIN          WITHIN DIMENSIONS</b>			THIS DRAWING CONTAINS INFORMATION THAT IS PROPRIETARY TO MOLEX INCORPORATED AND SHOULD NOT BE USED WITHOUT WRITTEN PERMISSION									

6

5

4

3

2

1